

TECHNICAL NOTE



Yardy EV3 YardyDUCT2

AC motor

Floor or ceiling ducted fan coils
Yardy EV3 | Fan coils with casing and for
built-in installation
YardyDUCT2 | Ducted fan coils

Yardy-I EV3 INVERTER Yardy-ID2

EC brushless motor

Floor or ceiling ducted fan coils
Yardy-I EV3 | Fan coils with casing and for
built-in installation
Yardy-ID2 | Ducted fan coils

Index

General Features	4
Structural features Yardy, Yardy-I	4
Structural features YardyDUCT2, Yardy-ID2	4
Declared conditions of use	4
Functioning limits.....	4
Versions.....	4
Accessories	5
ON/OFF electrovalves	6
Controls	9
Standard controls	9
Advanced controls	10
Serial interfaces (idRHOSS evolved controls).....	12
Serial converters.....	12
Gateway	12
Operating limits	13
Technical Data	14
Performance	20
Sound power and pressure	77
Dimensions and clearances	79
Valve dimensions and volume	90
Connection pressure drops and dimensions	92
Electrical connections	93

General Features

Structural features Yardy, Yardy-I

Versions with cover

Covering cabinet composed of:

- sides and front panel made of thick galvanised and painted steel sheet metal (Grey white C21≈RAL 9002), coated with a protective polyvinyl chloride film and insulated internally with noise-absorbing and self-extinguishing cladding;
- inlet grille (for MVT-MXT versions) made of heat-resistant ABS polymer;
- outlet grille on the upper part of the fan coil, made of heat-resistant ABS polymer with fixed flaps.

Access doors to the technical compartments and the control panels fitted with a locking screw. Galvanised steel sheet structure complete with anti-condensate self-extinguishing insulation on the sides, back and front panels of the unit and the condensation drain pan with natural drainage complete with anti-condensate self-extinguishing insulation. Heat exchanger featuring a finned coil with copper pipes and aluminium fins (2, 3, 4 rows), brass die-cast collectors complete with a patented low pressure drop hydraulic distributor.

Threaded connections (gas female Ø 3/4" for the main coil, gas female Ø 1/2" for the additional coil) on the left side of the unit reversible on the right directly on site, having an air vent, drain valve and anti-rotation lock for a quick connection, with no key or counter key being required.

A centrifugal fan with a double inlet with statically and dynamically balanced aluminium or ABS fans.

Yardy-EV3 - AC motor coupled directly to 6 speeds of which 3 connected in the terminal block, equipped with internal thermal protection with condenser permanently fitted.

Yardy-I - A brushless electronic synchronous motor with permanent magnets controlled by an inverter that generates sinusoidal voltage modulated in frequency and amplitude. The inverter is powered by a single-phase voltage 230Vac 50/60Hz and is controllable via an analogue signal in direct current between 0-10Vdc. The motor is equipped with internal thermal protection.

Polypropylene mesh renewable filter (filter class G1) mounted on an easily removable guide; the filter in the MVT and MXT versions with a front grill is inserted directly on the inlet grille.

Power supply voltage: 230 V–1 ph–50 Hz.

Quick coupling connectors for the direct connection to the commands and controls in the MVP, MVT versions. Terminal block for the power supply and connection to the commands and controls for the MXP, MXT versions.

Recessed versions

The structure consists of a galvanised steel sheet metal and a condensation drain pan with natural drainage complete with anti-condensation self-extinguishing insulation on the sides, back and front panels of the unit. Heat exchanger featuring a finned coil with copper pipes and aluminium fins (2, 3, 4 rows), brass die-cast collectors complete with a patented low pressure drop hydraulic distributor. Threaded connections (gas female Ø 3/4" for the main coil, gas female Ø 1/2" for the additional coil) on the left side of the unit reversible on the right directly on site, having an air vent, drain valve and anti-rotation lock for a quick connection, with no key or counter key being required.

Double inlet centrifugal fan with aluminium blades, statically and dynamically balanced.

Yardy-EV3 - AC motor coupled directly to 6 speeds of which 3 connected in the terminal block, equipped with internal thermal protection with condenser permanently fitted.

Yardy-I EV3 - A brushless electronic synchronous motor with permanent magnets controlled by an inverter that generates sinusoidal voltage modulated in frequency and amplitude. The inverter is powered by a single-phase voltage 230Vac 50/60Hz and is controllable via an analogue signal in direct current between 0-10Vdc. The motor is equipped with internal thermal protection.

Polypropylene mesh renewable filter (filter class G1) easily removable from the front part by removing a fastening sheet in IXP version. Power supply voltage: 230 V–1 ph–50 Hz.

Supply terminal board and connection to the commands and controls.

Structural features YardyDUCT2, Yardy-ID2

Built-in ductable versions

The structure consists of a galvanised steel sheet metal and a condensation drain pan (for vertical and horizontal installations) with natural drainage complete with anti-condensation self-extinguishing insulation on the sides, back and front panels of the unit. Heat exchanger featuring a finned coil with copper pipes and aluminium fins (2, 3, 4 rows), brass die-cast collectors complete with a patented low pressure drop hydraulic distributor. Threaded connections (gas female Ø 3/4" for the main coil, gas female Ø 1/2" for the additional coil) on the left side of the unit reversible on the right directly on site, having an air vent, drain valve and anti-rotation lock for a quick connection, with no key or counter key being required.

A centrifugal fan with a double inlet with statically and dynamically balanced aluminium or ABS fans.

YardyDUCT2 - AC motor coupled directly to 6 speeds, equipped with internal thermal protection with condenser permanently fitted.

Yardy-ID2 - A brushless electronic synchronous motor with permanent magnets controlled by an inverter that generates sinusoidal voltage modulated in frequency and amplitude. The inverter is powered by a single-phase voltage 230Vac 50/60Hz and is controllable via an analogue signal in direct current between 0-10Vdc. The motor is equipped with internal thermal protection.

A renewable polypropylene synthetic filter (G1 filter class) easily removable from the front by removing a fastening plate.

Power supply voltage 230 V–1 ph–50 Hz.

Supply terminal board and connection to the commands and controls.

Declared conditions of use

Air handling fan coil for indoor use, intended to be used for air handling (summer and winter air conditioning) domestic or similar indoor rooms.

The unit is not designed to be installed in rooms used for laundry purposes (IEC EN 60335-2-40).

The units comply with the following Directives:

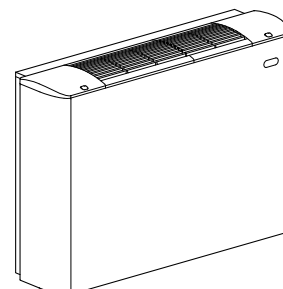
- 2006/42/EC Machinery Directive
- Low voltage Directive 2006/95/EC
- Electromagnetic compatibility Directive 2004/108/EC
- Regulation n.327/2011/UE implementing Directive 2009/125/EC ERP

Versions

Yardy, Yardy-I EV3 with cabinet

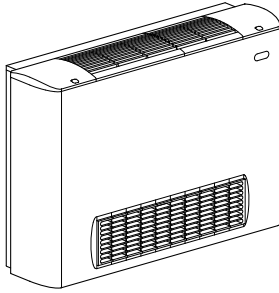
• MVP version

Vertical unit with cabinet with lower air return and upper air flow to be wall-mounted or set on the ground with feet.



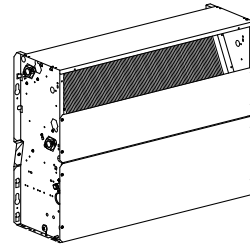
• MVT version

Vertical unit with cabinet with front air inlet and upper outlet for floor installation.



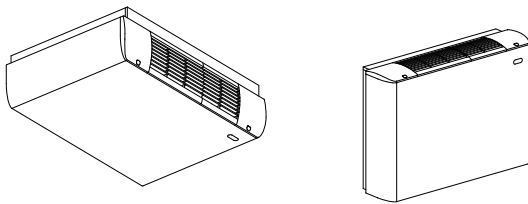
• IVF version

Recessed vertical unit with lower air inlet and front outlet for wall installation.



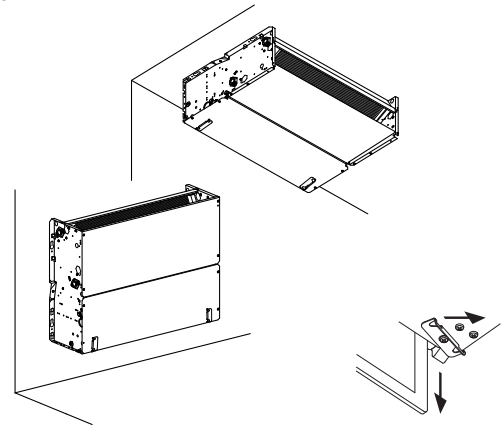
• MXP version

Horizontal/vertical unit with cabinet for horizontal ceiling installation, vertical wall-mounting or floor installation with feet.



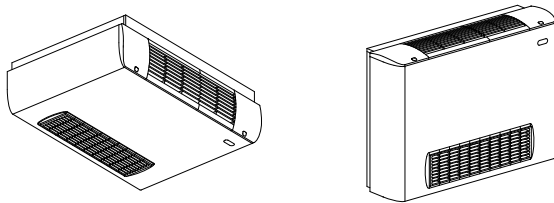
• IXP version

Recessed horizontal/vertical unit for false ceiling installation or recessed wall installation.



• MXT version

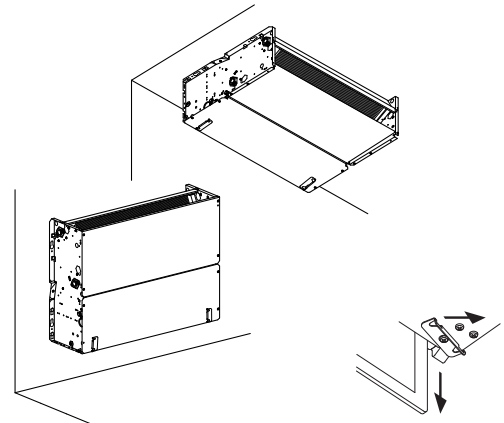
Horizontal/vertical unit with cabinet for horizontal ceiling installation or vertical floor installation.



YardyDUCT2, Yardy-ID2 ductable recessed version

• CXP version

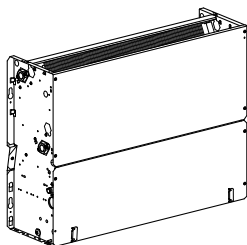
Ductable recessed unit for vertical wall or horizontal ceiling installation.



Yardy EV3, Yardy-I EV3 recessed versions

• IVP version

Recessed vertical unit with lower air inlet and upper outlet for wall installation.



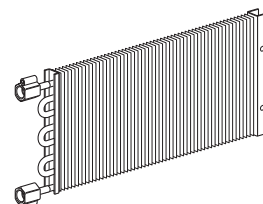
Accessories

All versions

Additional coil

- KB4 (supplied separately)
- 4T (factory fitted)

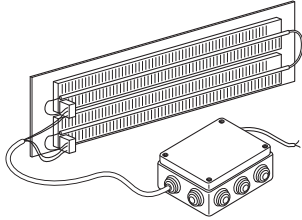
Additional water heating coil in copper pipes and aluminium fins.



Electric heater

- KRER1 (supplied separately)
- RER1 (factory fitted)

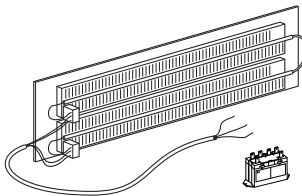
Armoured electrical resistance made of aluminium complete with safety device for overtemperature, with relay for connection to control KTCV2/TCV2 and KTCVR/TCVR (KRER1 supplied separately for vertical versions MVP, MVT only).



Model	Power			
	0,5 kW	1 kW	2 kW	3 kW
Yardy EV3	15-20-24	25-30-34	40-45-48	55-58-60-74-80-88
Yardy-I EV3	20-24	30-34	45-48	60-74-80-88
YardyDUCT2			40-48	50-60-74-80-88
Yardy-ID2			40-48	60-74-80-88

- KRER2 (supplied separately)
- RER2 (factory fitted)

Armoured electrical resistance made of aluminium complete with safety device for overtemperature, with relay for connection to control KCMS/CMS (KRER2 supplied separately for vertical versions MVP, MVT only).

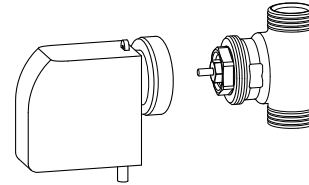


Model	Power			
	0,5 kW	1 kW	2 kW	3 kW
Yardy EV3	15-20-24	25-30-34	40-45-48	55-58-60-74-80-88
Yardy-I EV3	20-24	30-34	45-48	60-74-80-88
YardyDUCT2			40-48	50-60-74-80-88
Yardy-ID2			40-48	60-74-80-88

ON/OFF electrovalves

2-way valves with 4 brass connections, electrothermal actuators with ON/OFF action (NC normally closed).

- KE2-2V
2-way ON/OFF electrovalves for 2-pipe systems.
- KE4-2V
2-way ON/OFF electrovalves for 4-pipe systems.



3-way valves with 4 brass connections, with integrated by-pass; electrothermal actuators with ON/OFF action (NC normally closed).

Power supply: 230 V
Protection rating: IP44
Total opening time: 4 minutes

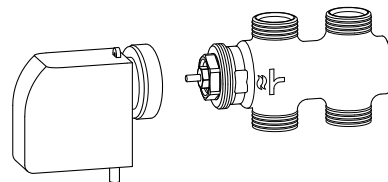
- KE2 (supplied separately)
• E2 (factory fitted)
3-way ON/OFF electrovalve for 2-pipe systems.
- KE4 (supplied separately)
• E4 (factory fitted)
3-way ON/OFF electrovalve for 4-pipe systems.

- KE2DS (supplied separately)
• E2DS (factory fitted)
ON/OFF 3-way electrovalves with flexible pipes for 2-pipe systems with valve and balancing valve for vertical versions.

- KE4DS (supplied separately)
• E4DS (factory fitted)
ON/OFF 3-way electrovalves with flexible pipes for 4-pipe systems with valve and balancing valve for vertical versions.

- KE2DD (supplied separately)
• E2DD (factory fitted)
ON/OFF 3-way electrovalve with flexible pipes for 2-pipe systems with valve and balancing valve for vertical and horizontal versions.

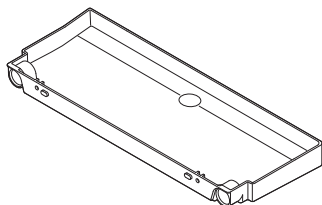
- KE4DD (supplied separately)
• E4DD (factory fitted)
ON/OFF 3-way electrovalve with flexible pipes for 4-pipe systems with valve and balancing valve for vertical and horizontal versions.



Auxiliary pans

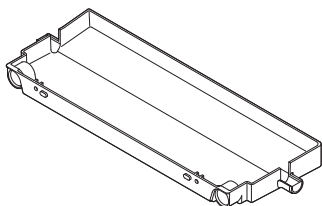
- KVAV (supplied separately)
- VAV (factory fitted)

Auxiliary condensate drain pan for vertical installation.



- KVAO (supplied separately)
- VAO (factory fitted)

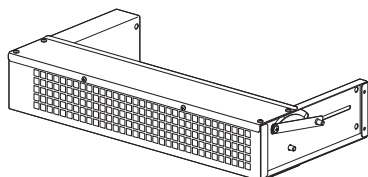
Auxiliary condensate drain pan for horizontal installation.



Damper

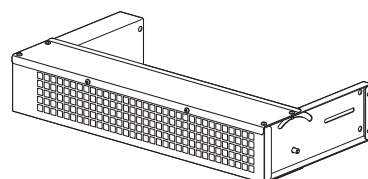
- KS (supplied separately)

Manually operated damper for outdoor air intake (up to 35%) for the MVP version to be used with the KPC support feet accessory.



- KSM (supplied separately)

Motorised damper for outdoor air intake (up to 35%) for the MVP version (to be used with KPC support feet accessory), with a limit switch contact to indicate the completely open state. Power supply 230V-1 ph-50 Hz. The installer is responsible for the switch control.

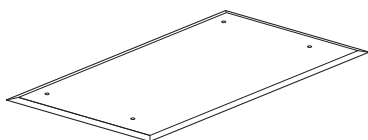


Yardy - Yardy-I versions with cover MVP-MVT-MXP-MXT

Panels and grids

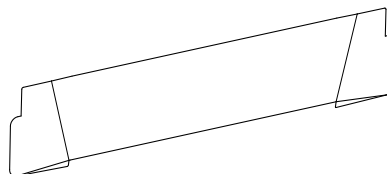
- KSV (supplied separately)

Exposed rear panel made of pre-painted sheet metal (for the MVP-MXP and MVT-MXT versions).



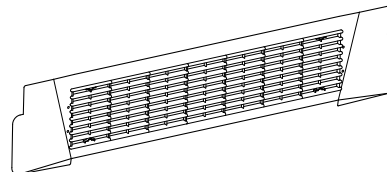
- KPP (supplied separately)

Rear closure panel made of pre-painted sheet metal for the MXT version to be installed away from the wall.



- KPPG (supplied separately)

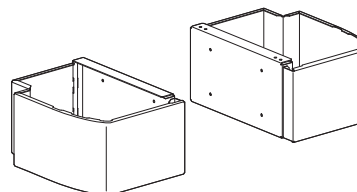
Rear closure panel made of pre-painted sheet metal with grille and filter for the MXP version to be installed away from the wall.



Feet

- KPC (supplied separately)

Support feet with pipe cover (for MVP-MXP versions).



Yardy - YardyDUCT2 - Yardy-ID2 built-in ductable versions IVP - IVF - IXP - CXP

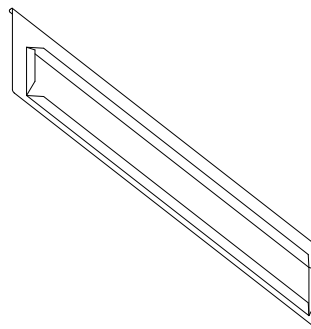
Plenum and fittings

- KFGCM duct frame

Flanged frame for connection to the flow duct.

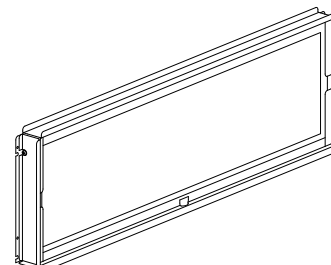
- KFGCA duct frame

Flanged frame for connection to the intake duct.



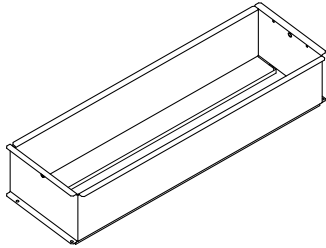
- KFC Filter holder frame

Galvanised sheet metal frame with filter (G2) that can be extracted in any direction.



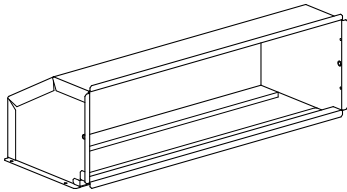
• **KRDM (supplied separately)**

Outlet straight connection made of galvanised sheet metal.



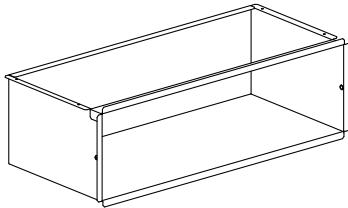
• **KR9M (supplied separately)**

Outlet 90° connection made of galvanised sheet metal.



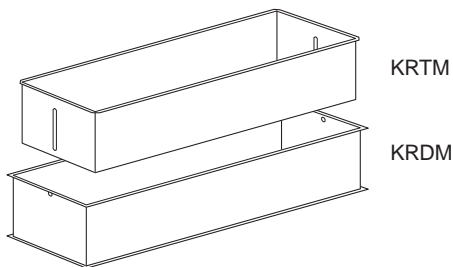
• **KR9A (supplied separately)**

Inlet 90° connection made of galvanised sheet metal.



• **KRTM (supplied separately)**

Telescopic fitting (between 21 and 86 mm) in flow/intake made of galvanised sheet metal, for connection to fittings KRDM, KR9M and KR9A only.

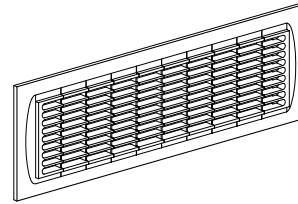


• **KGF (supplied separately)**

Intake grid made of painted sheet metal and heat-resistant ABS polymer with filter for fittings KRDM, KR9M, KR9A, KRTM.

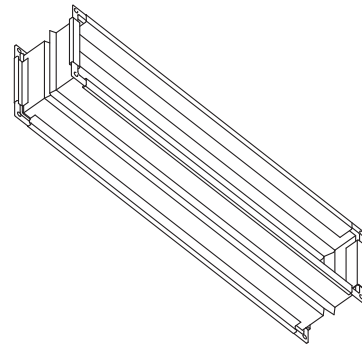
• **KG (supplied separately)**

Flow grid made of painted sheet metal and heat-resistant ABS polymer for fittings KRDM, KR9M, KR9A, KRTM.



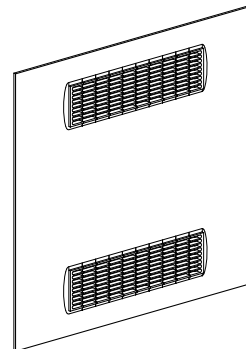
• **KAS Antivibration joint**

Antivibration connection for connection to the inlet or outlet duct (to be used with KFGCm-KFGCA).



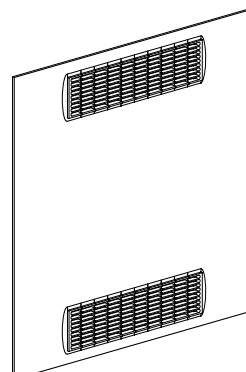
• **KPLV (supplied separately)**

Cover panel made of painted sheet metal, complete with an inlet grille with a flow filter and grille (only for Yardy IVF with the KR9A accessory).



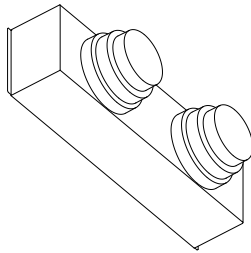
• **KPLO (supplied separately)**

Cover panel made of painted sheet metal, complete with an inlet grille with a flow filter and grille (only for Yardy IXP with the KR9A and KR9M accessory).



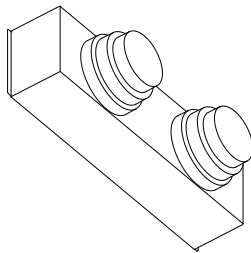
• **KPAF (supplied separately)**

Intake plenum made of galvanised sheet metal with circular nozzles made of embossed ABS polymer (Ø 150-180-200 mm).



• **KPM (supplied separately)**

Flow plenum made of galvanised sheet metal, insulated internally, with circular nozzles made of embossed ABS polymer (Ø 150-180-200 mm).



Controls

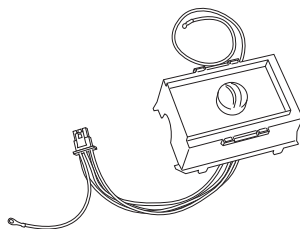
The Yardy range includes a number of commands and controls supplied separately by the units or pre-assembled at the factory

Standard controls

Yardy-EV3 version MVP-MVT

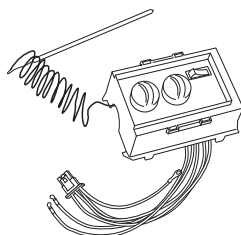
- **KC (supplied separately)**
- **C (factory fitted)**

OFF/1/2/3 speed switch (for MVP and MVT). On board installation only.



- **KTA (supplied separately)**
- **TA (factory fitted)**
- **TATM (factory fitted)**

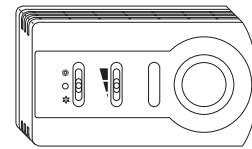
Room thermostat complete with OFF/1/2/3 speed and SUMMER/WINTER switch (for MVP and MVT) with the possibility of connecting the minimum thermostat externally. On board installation only. The TATM version is supplied complete with the minimum thermostat.



Yardy-EV3 - YardyDUCT2

- **KCV2 (supplied separately)**

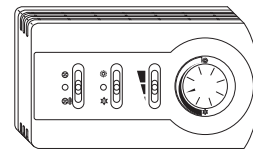
Panel with 3-speed switch complete with the summer/off/winter switch with the possibility of connecting the minimum thermostat externally. Wall mounted.



(dimensions 145 x 82 x 40 mm)

- **KTCV2-KBTCV2 (supplied separately)**
- **TCV2-TCV2TM (factory fitted)**

Control and adjustment panel including: off/continuous ventilation/thermostat ventilation switch; room thermostat; summer/winter switch; speed switch; auxiliary contacts (230 Vac) for On/Off valve control in 2-pipe systems, with 2 pipes with electrical resistance or 4 pipes, with the possibility of connecting the minimum thermostat externally. Installed on board the machine (KBTCV2) or on the wall (KTCV2). The TCV2TM control is supplied complete with the minimum thermostat.



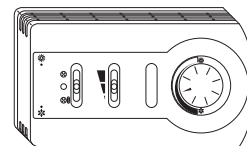
(dimensions 145 x 82 x 40 mm)

- **KTCVA-KBTCVA (supplied separately)**
- **TCVA (factory fitted)**

Electronic control panel including: continuous ventilation/off/thermostat ventilation switch; 3- speed switch; room thermostat; automatic summer/winter switch; red/green heating/cooling mode signal LED; auxiliary contact (230 Vac) for ON/OFF 3 way valve control in 2-pipe systems.

Installed on board the machine (KBTCVA) or on the wall (KTCVA).

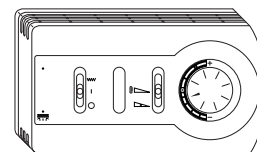
NOTE: with 2-way valve, control does not work.



- **KTCVR-KBTCVR (supplied separately)**
- **TCVR (factory fitted)**

Electronic control panel including: on/off/electrical resistance switch; automatic summer/winter switch; automatic/minimum speed switch; ±5°C comfort adjustment knob; auxiliary contacts (230 Vac) to control 3-way ON/OFF valve for 2-pipe systems and 2-pipe with electric heater (KRER1); auxiliary contacts (230Vac) for 3-way valve or 2-way ON / OFF for 4-pipe systems. Minimum thermostat function, destratification cycle and dirty filter signal (Yardy only). Installed on board the machine (KBTCVR) or on the wall (KTCVR).

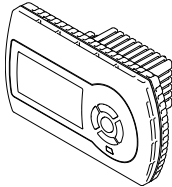
NOTE: with 2-way valve, control does not work.



(dimensions 145 x 82 x 40 mm)

• **KTVD-KTVDM (supplied separately)**

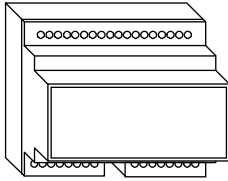
KTVD - Electronic control panel with display, semi-recessed wall mounting installation, including an ON/OFF, MODE, 3-speed+AUTO button, SET-POINT or delta SET-POINT change (OFFSET +/-3°C); auxiliary contacts for ON/OFF control valve in 2-pipe systems (2T) with electrical resistance (RER) and 4-pipe systems (4T); summer/winter manual/automatic/contact switching; fan or minimum thermostat with probe start-up delay (KSO); continuous/thermostatic ventilation; configurable digital inputs (SCR, ECO, SIC and ALARM), weekly time band control; control of up to 4 units with INT interface. Fixing in 503-type three module recessed boxes (not supplied by Rhoss); **KTVDM** complete with resident RS485 serial interface (Modbus RTU protocol)



(dimensions 128 x 80 x 55,5 mm)

• **INT (supplied separately)**

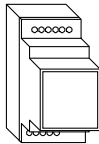
Interface board to control up to 4 fan coils, to be used in conjunction with KC, KCV2, KTCV2, KTCVA, KTCVR and KTVD (M) type of controls. On board installation.



Yardy-I EV3 - YardyID

• **KADC (supplied separately)**

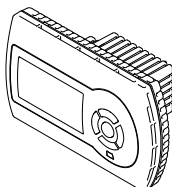
Analogue digital signal converter to manage Inverter fan coils via commands with a 3-speed relay.



(dimensions 35 x 90 x 65,5 mm)

• **KTVDI-KTVDIM (supplied separately)**

KTVDI - Electronic control panel with display, semi-recessed wall mounting installation, including an ON/OFF, MODE, 3-speed+AUTO button, SET-POINT or delta SET-POINT change (OFFSET +/-3°C); fan control (0-10 Vdc); auxiliary contacts for ON/OFF control valve in 2-pipe systems (2T) with electrical resistance (RER) and 4-pipe systems (4T); summer/winter manual/automatic/contact switching; fan or minimum thermostat with probe start-up delay (KSO); continuous/thermostatic ventilation; configurable digital inputs (SCR, ECO, SIC and ALARM), weekly time band control; control of up to 4 units (max 50 m shielded cable). Fixing in 503-type three module recessed boxes (not supplied by Rhoss); **KTVDIM** complete with resident RS485 serial interface (Modbus RTU protocol)



(dimensions 128 x 80 x 55,5 mm)

Yardy EV3 – YardyDUCT2 - Yardy-I EV3 – YardyID

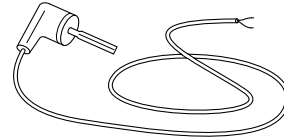
• **KSO (supplied separately)**

Remote air temperature probe (2m) for KTCV2, KTCVA, KTCVR, KTVD (M) and minimum thermostat for KTVD (M) and KTVDI(M).



• **KTM (supplied separately)**

Minimum temperature thermostat for winter operation (for KTA - KCV2-KTCV2 - KBTCV2).

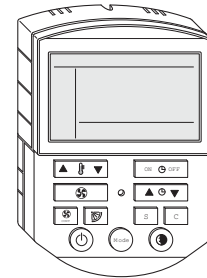


Advanced controls



• **KPCM (supplied separately)**

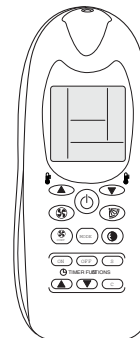
Wired electronic control panel with 11-key LCD for manual or automatic regulation of all appliance functions, according to the pre-selected room temperature. The panel is designed to be wall mounted. For coupling with electronic board KCMS-CMS and KCMI-CMI.



(dimensions 70 x 101 x 20 mm)

• **KTCM (supplied separately)**

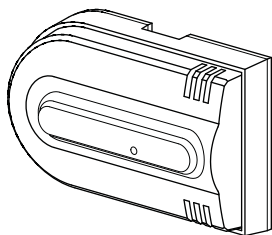
Infrared remote control with LCD for manual or automatic regulation of all appliance functions, according to the pre-selected room temperature. The remote control is complete with a support bracket to be wall mounted. For coupling with electronic board CMSRI or KCMS+KRI and CMIRI or KCMI+KRI.



(dimensions 50 x 130 x 30 mm)

• **KRIP (supplied separately)**

KTCM remote control receiver to be combined with the CMS-KCMS electronic board and be wall mounted.
For coupling with electronic board KCMS-CMS and KCMi-CMI.



• **KICM (supplied separately)**

Recessed panel with an LCD display for the CMS fan coil to be controlled electronically. The panel is set-up to be installed in 3-module recessed wall-mounted boxes.
For coupling with electronic board KCMS-CMS and KCMi-CMI.



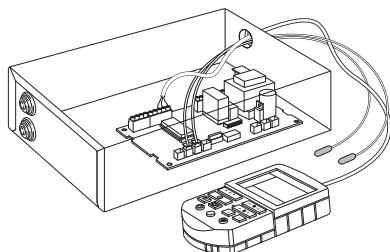
(dimensions 65,2 x 44,4 x 27,3 mm)

• **KCMS/PCM (supplied separately)**

• **CMS/PCM (factory fitted)**

Only for Yardy version MVP-MVT

Master electronic board for manual or automatic regulation of all appliance functions, complete with a container for any additional KMVR module and wired electronic control panel to be installed on board (MVP and MVT versions).

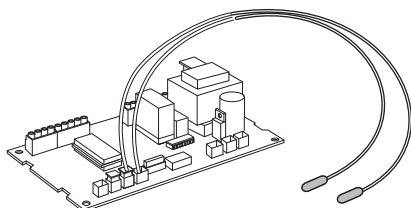


• **KCMS (supplied separately)**

• **CMS (factory fitted)**

Only for Yardy, YardyDUCT2

Electronic board that can be configured as master or slave for manual or automatic regulation of all appliance functions, complete with a container for an additional KMVR module.

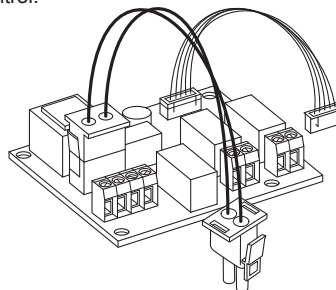


• **KMVR (supplied separately)**

• **MVR (factory fitted)**

Only for Yardy, YardyDUCT2

Module to control the ON/OFF valves in 2 or 4-pipe systems, to be associated with the electronic board KCMS, KCMS/PCM, CMS, CMS/PCM. It is fitted with two auxiliary contacts: summer/winter consent and boiler control.



• **KSTI (supplied separately)**

• **STI (factory fitted)**

Only for Yardy, YardyDUCT2

Temperature probe for additional water heating coil to be associated with the KCMS, KCMS/PCM, CMS, CMS/PCM electronic board.



• **KCMIPCM2 (supplied separately)**

• **CMIPCM2 (factory fitted)**

Only for Yardy-I version MVP - MVT

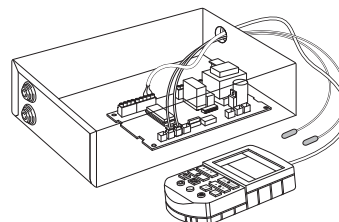
Master electronic board for SYSTEMS WITH 2 PIPES with electronic control panel on board for the manual or automatic regulation of all appliance functions, complete with an additional board to control the fan (0-10Vdc), the ON/OFF valve and electric resistor. Versions with vertical installation casing.

• **KCMIPCM4 (supplied separately)**

• **CMIPCM4 (factory fitted)**

Only for Yardy-I version MVP - MVT

Master electronic board for SYSTEMS WITH 4 PIPES with electronic control panel on board for the manual or automatic regulation of all appliance functions, complete with an additional board to control the fan (0-10Vdc), the ON/OFF valve and temperature probe for an additional battery. Versions with vertical installation casing.



• **KCMi2 (supplied separately)**

• **CMi2 (factory fitted)**

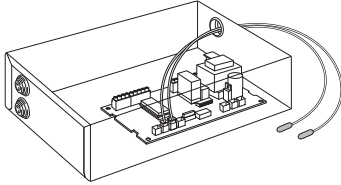
Only for Yardy-I, Yardy-ID2

Master/Slave electronic board for SYSTEMS WITH 2 PIPES with electronic control panel on board to for the manual or automatic regulation of all appliance functions, complete with an additional board to control the fan (0-10Vdc), the ON/OFF valve and electric resistor.

- **KCMI4 (supplied separately)**
- **CMI4 (factory fitted)**

Only for Yardy-I, Yardy-ID2

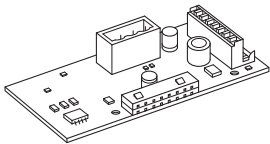
Master/Slave electronic board for SYSTEMS WITH 4 PIPES for the manual or automatic regulation of all appliance functions, complete with an additional board to control the fan (0-10Vdc), the ON/OFF valve and temperature probe for an additional battery.



Serial interfaces (*idRHOSS evolved controls*)

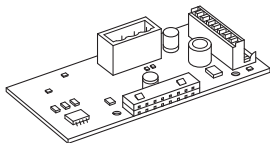
- **KRS485 (supplied separately)**

RS485 serial interface board to create dialogue networks between boards and the building automation or external supervision systems or RHOSS supervision systems (Supported protocols: proprietary protocol, Modbus® RTU).



- **KISI (supplied separately)**

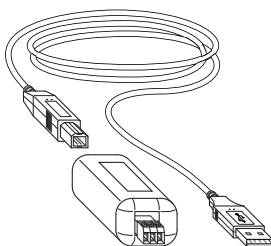
CAN bus serial interface (Controller Area Network compatible with the advanced hydronic system for integrated comfort management (CanOpen® protocol supported).



Serial converters

- **KUSB (supplied separately)**

RS485/USB serial converter for interconnection between RS485 serial network and supervision systems, with serial connection to PC via USB port (USB cable supplied).



Gateway

- **KGTW-BAC**

RS485/BACnet gateway for communication from MODBUS RTU to BACNET IP; up to 32 fan coils can be connected. The fan coils must be equipped with an RS485 serial interface (KRS485).

- **KGTW-LON**

RS485/FTT10-LonWorks gateway for communication from MODBUS RTU to FTT10-LonWorks; up to 32 fan coils can be connected. The fan coils must be equipped with an RS485 serial interface (KRS485).

Note:

For more information on Commands and Controls and for the connection wiring diagrams, refer to the Technical Note Code K20002.

Operating limits

Water inlet temperature: 3+90°C.

Maximum exchanger pressure: 6 bar.

Power supply voltage: 230 V ±10%.

Minimum water temperature

If the fan coil cools in a high relative humidity environment, condensation could form on the air flow and outside the device. Said condensation could deposit on the floor and on any items underneath. To avoid condensation forming on the device's outer structure when the fan is on, the water temperature must not be any lower than limits indicated in the table below which depend on ambient air hygrothermal conditions. Said limits refer to operations with the fan in motion at minimum speed. In the event of a prolonged situation with the fan off and the passage of cold water in the battery, it is possible the formation of condensation on the outside of the unit, so it requires the insertion of the accessory valve 3-way or 2-way.

MINIMUM AVERAGE WATER TEMPERATURE [°C]		Dry bulb temperature of ambient air					
		21	23	25	27	29	31
Wet bulb temperature of ambient air	15	3	3	3	3	3	3
	17	3	3	3	3	3	3
	19	3	3	3	3	3	3
	21	6	5	4	3	3	3
	23	-	8	7	6	5	5



Technical Data

Yardy-EV3

		Model	15	20	24	25	30	34	40	45	48	55	58	60	74	80	88
Nominal cooling capacity (total heat) (*)	kW	VI	1,14	2,05	2,24	2,54	3,27	3,34	3,79	4,33	4,84	5,49	6,01	6,69	7,16	8,32	8,78
		V	1,07	1,8	2,13	2,27	2,85	3,11	3,42	3,9	4,53	4,95	5,36	6,22	6,61	7,99	8,43
		IV	0,99	1,56	1,89	2,05	2,61	2,85	2,88	3,35	3,61	4,48	4,85	5,54	6,13	7,26	7,84
		III	0,91	1,39	1,70	1,71	2,49	2,58	2,66	3,03	3,39	3,97	4,31	5,37	5,80	6,9	7,46
		II	0,78	1,2	1,47	1,64	2,1	2,28	2,5	2,84	3,14	3,39	3,62	4,49	5,15	6,43	6,96
		I	0,65	1,14	1,36	1,4	1,8	2,00	2,09	2,52	2,88	2,73	3,07	4,31	4,73	6,36	6,61
Nominal cooling capacity (sensitive heat) (*)	kW	VI	0,89	1,57	1,49	1,68	2,55	2,25	2,91	3,12	3,22	4,47	4,24	5,18	4,88	6,77	6,13
		V	0,83	1,3	1,41	1,74	2,12	2,08	2,58	2,92	3,00	3,88	3,73	4,85	4,48	6,42	5,86
		IV	0,75	1,23	1,24	1,42	1,96	1,90	2,13	2,29	2,37	3,43	3,36	4,16	4,14	5,83	5,41
		III	0,73	0,96	1,12	1,25	1,77	1,72	2	2,08	2,23	2,91	2,95	3,99	3,90	5,43	5,13
		II	0,57	0,9	0,96	1,07	1,52	1,51	1,8	1,92	2,05	2,59	2,45	3,33	3,44	5,12	4,76
		I	0,51	0,77	0,88	1,02	1,3	1,31	1,56	1,78	1,87	2,04	2,06	3,18	3,15	4,8	4,50
Water flow rate (*)	l/h	VI	196	347	384	436	561	573	650	743	831	942	1032	1148	1229	1428	1508
		V	184	309	366	390	489	534	587	669	778	850	920	1068	1134	1371	1447
		IV	170	268	324	352	448	489	494	575	620	769	834	951	1052	1246	1346
		III	156	239	292	294	427	443	456	520	582	681	740	922	995	1184	1281
		II	134	206	252	282	360	391	429	487	539	582	622	771	884	1104	1195
		I	112	196	234	240	309	343	359	433	494	469	527	740	812	1092	1135
Water pressure drops (*)	kPa	VI	15	12,9	21,0	17,5	11	11,4	19,1	20	20,5	19,6	11,0	9,5	9,0	17	13,0
		V	13,3	10,5	19,0	14,3	9,4	10,0	18,3	16,6	18,0	16,2	9,0	8,3	8,0	15,8	12,1
		IV	10,3	8,1	15,4	11,1	8	8,6	13,8	13	13,5	15,8	7,5	6,9	7,0	10	10,6
		III	9	6,5	12,2	8	7,3	7,3	12	10,9	12,0	12,7	6,2	6,5	6,2	9,1	9,7
		II	7,6	5,7	10,1	6,9	5,5	5,8	10	11,5	10,0	9,3	5,4	6,2	5,4	7,5	8,6
		I	5,5	5,2	8,8	5,2	4,1	4,7	7,2	9,3	9,0	6,3	5,3	5,7	5,3	7,4	7,8
Heating capacity (input water 50°C) (***)	kW	VI	1,59	2,65	2,78	3,47	4,21	4,42	5,11	5,51	5,79	7,17	8,34	8,78	9,22	11,67	12,15
		V	1,48	2,31	2,43	3,14	3,85	4,04	4,45	5,03	5,28	6,39	7,81	8,22	8,63	11,07	11,62
		IV	1,37	1,91	2,06	2,71	3,36	3,53	3,79	4,11	4,32	5,74	6,89	7,25	7,61	10,52	11,05
		III	1,25	1,74	1,83	2,28	3,14	3,3	3,5	3,79	3,98	4,87	6,69	7,04	7,39	9,99	10,49
		II	1,07	1,49	1,72	2,18	2,67	2,8	3,26	3,35	3,52	4,22	5,85	6,16	6,47	9,14	9,6
		I	0,84	1,46	1,53	1,84	2,37	2,59	2,93	3,08	3,23	3,47	5,24	5,52	5,8	9,04	9,49
Water flow rate (***)	l/h	VI	196	347	384	436	561	573	651	743	831	942	1032	1149	1229	1428	1508
		V	184	309	366	390	489	534	587	669	778	850	920	1068	1134	1372	1447
		IV	170	268	324	352	448	489	495	575	620	769	834	951	1052	1247	1346
		III	156	239	292	294	427	443	457	520	582	682	740	922	995	1185	1281
		II	134	206	252	282	361	391	429	488	539	582	622	771	884	1104	1195
		I	112	196	234	240	309	343	359	433	494	469	527	740	812	1092	1135
Water pressure drops (***)	kPa	VI	13,8	12	20	16,1	10,1	10,8	17,6	18,4	16	18	6,3	8,8	6,3	15,6	8,2
		V	12,2	9,7	18,1	13,1	8,6	9,5	16,8	15,2	14,3	14,9	5,4	7,7	5,4	14,5	7,7
		IV	9,6	7,5	14,6	10,2	7,3	8,2	12,6	12	9,7	14,6	5,2	6,3	5,2	9,2	6,8
		III	8,3	6	11,6	7,4	6,7	6,9	10,9	10	8,7	11,7	5,2	5,9	5,2	8,4	6,3
		II	7,1	5,2	9,6	6,4	5,1	5,5	9,2	10,6	7,7	8,5	5,1	5,7	5,1	6,9	5,5
		I	5,1	4,8	8,4	4,8	3,8	4,5	6,7	8,6	6,6	5,8	5	5,3	5	6,8	5,1
Heating capacity (input water 70°C) (**)	kW	VI	2,67	4,45	4,59	5,83	7,06	7,33	8,59	9,23	9,49	12,04	13,66	14,75	15,23	19,62	19,89
		V	2,49	3,89	3,99	5,28	6,49	6,69	7,49	8,43	8,66	10,73	12,8	13,8	14,27	18,6	19,02
		IV	2,31	3,23	3,38	4,57	5,66	5,85	6,44	6,88	7,1	9,64	11,3	12,23	12,54	17,7	18,08
		III	2,11	2,95	3	3,87	5,31	5,49	5,98	6,35	6,54	8,21	10,96	11,91	12,18	16,84	17,2
		II	1,82	2,53	2,82	3,71	4,54	4,66	5,57	5,61	5,78	7,18	9,62	10,53	10,73	15,47	15,72
		I	1,42	2,48	2,51	3,13	4,03	4,32	5,02	5,18	5,3	5,93	8,58	9,42	9,62	15,33	15,58
Water flow rate (**)	l/h	VI	235	387	394	511	613	629	752	799	812	1049	1156	1284	1265	1727	1630
		V	218	338	343	464	567	574	652	731	742	933	1089	1203	1193	1634	1567
		IV	203	278	290	399	492	502	562	593	610	837	965	1065	1057	1566	1503
		III	186	256	258	339	460	471	522	548	561	708	938	1038	1031	1490	1434
		II	160	219	243	325	394	400	487	481	497	622	826	925	912	1365	1320
		I	124	216	215	275	353	371	447	445	518	737	820	820	1352	1311	
Water pressure drops (**)	kPa	VI	19,1	14,6	20,9	21,4	11,9	12,8	22,9	21	18,7	21,8	12,9	10,8	9,1	22	14,3
		V	16,6	11,4	16,1	17,9	11,2	10,8	20,3	17,8	15,7	17,6	11,6	9,6	8,3	19,9	13,3
		IV	13,2	8	11,9	12,8	8,6	8,6	15,9	12,7	12,4	17	9,2	7,7	6,8	13,9	12,3
		III	11,3	6,8	9,3	9,5	7,6	7,7	13,8	11	10,7	12,6	9	7,3	6,3	12,7	11,3
		II	9,7	5,8	8,9	8,3	6	5,7	11,5	10,4	8,2	9,6	8,5	7,9	5,4	10,1	9,8
		I	6,2	5,7	7,3	6,1	4,8	5,2	10	9,1	7,4	6,9	9,1	6,4	5,1	10	9,6
Nominal heating capacity additional coil KB4 (**)	kW	VI	1,55	2,33	1,97	3,01	3,56	3,38	4,11	3,91	3,71	6,08	5,66	6,29	5,98	7,46	7,09
		V	1,41	2,16	1,90	2,92	2,99	2,84	3,4	4,06	3,59	5,73	5,54	6,16	5,85	7,53	7,05
		IV	1,41	2,06	1,65	2,55	2										

		Model	15	20	24	25	30	34	40	45	48	55	58	60	74	80	88
Electric heater (●)	kW		0,5	0,5	0,5	1,0	1,0	1,0	2,0	2,0	2,0	3,0	3,0	3,0	3,0	3,0	3,0
Air flow rate	m³/h	VI	229	339	339	484	547	547	676	681	681	1077	1077	1235	1235	1480	1480
		V	209	288	288	405	483	483	587	627	627	916	916	1109	1109	1388	1388
		IV	183	238	238	339	434	434	472	474	474	802	802	948	948	1220	1220
		III	163	207	207	281	383	383	419	431	431	662	662	882	882	1171	1171
		II	138	177	177	252	329	321	390	392	392	537	537	757	757	1031	1031
		I	100	155	155	217	281	281	365	338	338	420	420	672	672	994	994
Fans	n°		1	1	2	2	2	2	2	2	2	2	2	2	3	3	
Sound power	dB(A)	VI	46	48	48	48	50	50	51	52	52	58	58	62	62	66	66
		V	43	44	44	42	46	46	48	50	50	56	56	60	60	65	65
		IV	40	41	40	38	43	43	43	43	43	52	52	56	56	62	62
		III	35	35	35	33	40	40	40	41	41	47	47	54	54	61	61
		II	32	34	32	30	36	36	38	38	38	41	41	50	50	59	59
		I	26	30	31	26	32	32	35	35	35	36	36	48	48	57	57
Sound pressure (****)	dB(A)	VI	37	39	39	39	41	41	42	43	43	49	49	53	53	57	57
		V	34	35	35	33	37	37	39	41	41	47	47	51	51	56	56
		IV	31	32	31	29	34	34	34	34	34	43	43	47	47	53	53
		III	26	26	26	24	31	31	31	32	32	38	38	45	45	52	52
		II	23	25	23	21	27	27	29	29	29	32	32	41	41	50	50
		I	17	21	22	17	23	23	26	26	26	27	27	39	39	48	48
Rows main battery	n.		2	3	4	2	3	4	2	3	4	2	3	3	4	3	4
Main coil water content	l		0,48	0,92	1,23	0,89	1,33	1,77	1,16	1,74	2,32	2,35	2,35	3,35	3,14	3,35	3,14
Coil water content KB4	l		0,25	0,31	0,31	0,42	0,42	0,42	0,53	0,53	0,53	0,69	0,69	0,69	0,69	0,69	0,69
Absorbed power	W	VI	38	38	41	45	60	65	72	70	76	115	124	161	172	184	197
		V	32	30	32	34	54	58	58	61	66	95	103	104	133	173	185
		IV	26	23	25	26	36	39	42	41	44	81	87	117	125	142	152
		III	23	19	21	22	31	33	34	36	39	66	71	109	117	133	142
		II	19	15	16	17	25	27	33	31	33	51	55	95	102	124	133
		I	14	13	14	16	20	22	28	28	30	41	44	92	98	116	124
Absorbed current	A	VI	0,19	0,17	0,18	0,20	0,25	0,27	0,32	0,31	0,33	0,51	0,55	0,71	0,76	0,82	0,88
		V	0,14	0,13	0,14	0,14	0,24	0,15	0,25	0,26	0,28	0,4	0,43	0,46	0,56	0,72	0,77
		IV	0,11	0,10	0,11	0,11	0,16	0,12	0,18	0,17	0,18	0,36	0,41	0,52	0,49	0,6	0,64
		III	0,10	0,08	0,09	0,95	0,13	0,10	0,17	0,16	0,17	0,27	0,29	0,45	0,48	0,59	0,63
		II	0,08	0,06	0,06	0,07	0,11	0,08	0,15	0,13	0,14	0,21	0,29	0,42	0,45	0,52	0,56
		I	0,06	0,05	0,05	0,06	0,08	0,06	0,12	0,14	0,15	0,21	0,23	0,47	0,45	0,51	0,55
Power supply	V-ph-Hz		230-1-50														
Width MXP-MXT-MVP-MVT	mm		700	800	800	1000	1000	1000	1200	1200	1200	1500	1500	1500	1500	1500	1500
Height x Depth MXP-MXT-MVP-MVT	mm		570 x 220														
Width IXP-IVP-IVF	mm		450	550	550	750	750	750	950	950	950	1250	1250	1250	1250	1250	1250
Height x Depth IXP-IVP-IVF	mm		545 x 212														
Height of feet	mm		100														
Weight MXP-MXT-MVP-MVT	kg		16,0	20,0	20,5	20,0	21,0	22,0	27,0	28,0	29,0	35,0	35,0	35,0	36,0	37,0	38,0
Weight IXP-IVP-IVF	kg		14,5	16,5	17,0	20,5	20,5	21,5	24,0	25,5	27,0	34,5	34,5	34,5	35,5	36,5	37,5
Standard coil connections / additional coil KB4			¾ G (F) / ½ G (F)														
Condensate drain connection (Ø)	mm		16														

(*) In the following conditions: room temperature 27°C D.B.; 19°C W.B.; input water temperature 7°C with Δt 5°C

(**) In the following conditions: room temperature 20°C; input water temperature 70°C with Δt 10°C

(***) In the following conditions: room temperature 20°C; input water temperature 50°C, water flow rate as in cooling

(****) Sound pressure level in dB (A) for an environment with a volume of 100 m³ and reverberation time = 0.5 sec.

(●) KRER2 accessories, power supply 230V – 1ph – 50Hz

N.B. Data in bold refer to the Max / Med / Min wired speeds wired in a terminal block and Eurovent certified



Yardy-I EV3

		Model	20	24	30	34	45	48	60	74	80	88	
Nominal cooling capacity (total heat) (*)	kW	10 Vdc	Max	1,88	2,25	3,00	3,40	4,15	4,64	6,37	7,41	8,4	8,89
		6 Vdc	Med	1,45	1,69	2,33	2,77	3,06	3,49	4,62	5,27	5,92	6,38
		2 Vdc	Min	0,75	0,81	1,09	1,35	1,54	1,74	1,79	2,11	2,11	2,26
Nominal cooling capacity (sensitive heat) (*)	kW	10 Vdc	Max	1,48	1,50	2,37	2,30	3,00	2,93	4,98	5,11	6,84	6,68
		6 Vdc	Med	1,15	1,12	1,77	1,85	2,11	2,18	3,51	3,55	4,52	4,67
		2 Vdc	Min	0,52	0,52	0,77	0,87	1,07	1,06	1,28	1,36	1,65	1,63
Water flow rate (*)	l/h	10 Vdc	Max	323	386	515	584	712	797	1093	1272	1442	1526
		6 Vdc	Med	249	290	400	476	525	599	793	905	1016	1095
		2 Vdc	Min	129	139	187	232	264	299	307	362	362	388
Water pressure drops (*)	kPa	10 Vdc	Max	12,5	21	11,3	13	18,5	20	9,5	11,6	20,9	14,2
		6 Vdc	Med	7,7	15,3	7,1	9	12,1	15	5,4	6,35	8,4	8,43
		2 Vdc	Min	2,6	4,4	1,9	3	4,2	4,4	1,3	2	1,3	2
Heating capacity (input water 50°C) (***)	kW	10 Vdc	Max	2,47	2,59	3,87	4,06	5,28	5,54	8,38	8,80	11,76	12,25
		6 Vdc	Med	1,77	1,86	2,99	3,14	3,74	3,93	6,07	6,37	8,39	8,75
		2 Vdc	Min	0,91	0,96	1,42	1,49	1,81	1,90	2,24	2,35	3,07	3,22
Water flow rate (***)	l/h	10 Vdc	Max	323	386	515	584	712	797	1093	1272	1442	1526
		6 Vdc	Med	249	290	400	476	525	599	793	905	1016	1095
		2 Vdc	Min	129	139	187	232	264	299	307	362	362	388
Water pressure drops (***)	kPa	10 Vdc	Max	11,6	20,0	10,4	12,4	17,1	19,0	8,8	11,0	19,2	13,5
		6 Vdc	Med	7,1	14,5	6,5	8,6	11,1	14,3	5,0	6,0	7,7	8,0
		2 Vdc	Min	2,4	4,2	1,7	2,9	3,9	4,2	1,2	1,9	1,2	1,9
Heating capacity (input water 70°C) (**)	kW	10 Vdc	Max	4,20	4,28	6,56	6,77	8,91	9,09	14,27	14,48	20,26	20,01
		6 Vdc	Med	3,00	3,13	5,1	5,13	6,28	6,46	10,48	10,6	14,62	14,38
		2 Vdc	Min	1,54	1,66	2,45	2,49	3,06	3,13	3,86	3,98	5,5	5,38
Water flow rate (**)	l/h	10 Vdc	Max	361	368	564	581	766	778	1226	1203	1740	1642
		6 Vdc	Med	258	269	438	440	540	554	900	900	1255	1212
		2 Vdc	Min	133	142	211	214	263	269	332	341	472	463
Water pressure drops (**)	kPa	10 Vdc	Max	14,2	18,3	12,2	12,3	19,5	18,2	10,8	10	27	15,4
		6 Vdc	Med	7,6	12,7	7,7	7,5	11,7	12,4	6,3	6	11,3	9,6
		2 Vdc	Min	2,5	4,4	2,1	2,5	3,9	3,5	1,4	1,7	1,9	2,6
Nominal heating capacity additional coil KB4 (**)	kW	10 Vdc	Max	2,19	2,08	3,30	3,14	3,79	3,60	6,29	5,98	7,52	7,14
		6 Vdc	Med	1,91	1,81	2,63	2,50	3,29	3,13	5,27	5,01	6,07	5,77
		2 Vdc	Min	1,00	0,95	1,47	1,40	1,78	1,69	2,49	2,37	2,89	2,75
Water flow rate additional coil KB4 (**)	l/h	10 Vdc	Max	188	180	284	266	326	309	540	514	646	610
		6 Vdc	Med	164	155	226	215	283	269	453	430	521	498
		2 Vdc	Min	86	86	126	120	153	145	214	204	248	232
Pressure drops additional coil KB4 (**)	kPa	10 Vdc	Max	7,2	7,2	16,4	16,4	3,7	3,7	11,8	11,9	16,5	16,5
		6 Vdc	Med	6,1	6,1	9,3	9,3	2,6	2,6	8,6	8,6	11,0	11,2
		2 Vdc	Min	1,7	1,7	3,3	3,3	0,9	1,0	2,8	2,8	2,9	2,9
Electric heater (●)	kW		0,5	0,5	1,0	1,0	2,0	2,0	3,0	3,0	3,0	3,0	
Air flow rate	m³/h	10 Vdc	Max	331	331	523	523	645	645	1235	1235	1503	1458
		6 Vdc	Med	230	230	400	400	450	450	780	780	965	965
		2 Vdc	Min	97	97	167	167	198	198	256	256	300	300
Fans	n°		1	1	2	2	2	2	2	2	3	3	
Sound power	dB(A)	10 Vdc	Max	48	48	50	50	51	51	62	62	66	66
		6 Vdc	Med	40	40	43	43	42	42	50	50	56	56
		2 Vdc	Min	23	23	24	24	25	25	27	27	32	32
Sound pressure (****)	dB(A)	10 Vdc	Max	39	39	41	41	42	42	53	53	57	57
		6 Vdc	Med	31	31	34	34	33	33	41	41	47	47
		2 Vdc	Min	14	14	15	15	16	16	18	18	23	23
Rows main battery	n.		3	4	3	4	3	4	3	4	3	4	
Main coil water content	l		0,92	1,23	1,33	1,77	1,74	2,32	3,35	3,14	3,35	3,14	
Coil water content KB4	l		0,31		0,42		0,53		0,69		0,69		
Absorbed power	W	10 Vdc	Max	23	25	26	28	39	42	89	95	136	146
		6 Vdc	Med	13	14	15	16	14	15	28	30	52	56
		2 Vdc	Min	6	6	6	6	7	8	7	7	9	10
Absorbed current	A	10 Vdc	Max	0,28	0,30	0,30	0,32	0,31	0,33	0,75	0,80	1,00	1,07
		6 Vdc	Med	0,16	0,17	0,18	0,19	0,16	0,17	0,27	0,29	0,40	0,43
		2 Vdc	Min	0,06	0,06	0,06	0,09	0,08	0,09	0,06	0,09	0,08	0,09
Power supply	V-ph-Hz							230-1-50					
Width MXP-MXT-MVP-MVT	mm		800	800	1000	1000	1200	1200	1500	1500	1500	1500	
Height x Depth MXP-MXT-MVP-MVT	mm							583 x 220					
Width IXP-IVP-IVF	mm		550	550	750	750	950	950	1250	1250	1250	1250	
Height x Depth IXP-IVP-IVF	mm							545 x 212					
Height of feet	mm							100					
Weight MXP-MXT-MVP-MVT	kg		20	20,5	21	22	28	29	35	36	37	38	
Weight IXP-IVP-IVF	kg		16,5	17	20,5	21,5	25,5	27,0	34,5	35,5	36,5	37,5	
Standard coil connections / additional coil KB4								¾ G (F) / ½ G (F)					
Condensate drain connection (Ø)	mm							16					

(*) In the following conditions: room temperature 27°C D.B.; 19°C W.B.; input water temperature 7°C with Δt 5°C

(**) In the following conditions: room temperature 20°C; input water temperature 70°C with Δt 10°C

(***) In the following conditions: room temperature 20°C; input water temperature 50°C, water flow rate as in cooling

(****) Sound pressure level in dB (A) for an environment with a volume of 100 m³ and reverberation time = 0.5 sec.

(●) KRER2 accessories, power supply 230V – 1ph – 50Hz

N.B. Performance than can be reached with input 10/6/2 Vdc at Max/Med/Min speed



Yardy DUCT

		Model	40	48	50	60	74	80	88
Nominal cooling capacity (total heat) (*)	kW	VI	1,97	2,29	2,68	3,6	4,56	4,98	5,84
		V	1,82	2,12	2,47	3,43	4,37	4,74	5,66
		IV	1,54	1,73	2,32	3,27	4,09	4,51	5,53
		III	1,39	1,61	2	3,1	3,87	4,28	5,31
		II	1,27	1,47	1,75	2,73	3,50	4,01	5,04
		I	1,1	1,28	1,34	2,49	3,22	4,04	4,89
Nominal cooling capacity (sensitive heat) (*)	kW	VI	1,48	1,53	2,33	3,01	3,12	4,21	4,06
		V	1,36	1,41	2,18	2,88	2,98	4,03	23,42
		IV	1,06	1,15	1,93	2,59	2,78	3,67	22,14
		III	0,95	1,06	1,59	2,44	2,63	3,51	20,70
		II	0,87	0,95	1,38	2,06	2,37	3,32	18,81
		I	0,76	0,84	1,11	1,87	2,17	3,2	17,27
Water flow rate (*)	l/h	VI	338	393	460	618	783	855	1002
		V	312	364	424	589	750	814	972
		IV	264	297	398	561	702	774	949
		III	239	276	343	532	665	735	911
		II	218	252	300	469	601	688	865
		I	189	220	230	427	553	693	840
Water pressure drops (*)	kPa	VI	5,3	6,9	5,9	3,4	5,3	8,8	8,4
		V	4,6	6,0	5,1	3,1	4,9	8	7,9
		IV	3,5	4,2	5,3	2,9	4,4	5,5	7,0
		III	3,5	3,7	3,9	2,6	4,2	5	6,4
		II	3	3,1	3,1	2,8	3,9	4,4	5,6
		I	2,3	3,0	2	2,3	3,3	4,2	5,2
Heating capacity (input water 50°C) (***)	kW	VI	2,41	2,53	3,47	4,74	4,98	6,84	7,18
		V	2,21	2,32	3,21	4,52	4,75	6,51	6,84
		IV	1,8	1,89	3,02	4,29	4,50	6,44	6,76
		III	1,65	1,73	2,52	4,05	4,25	6,13	6,44
		II	1,5	1,58	2,21	3,7	3,89	5,75	6,04
		I	1,3	1,37	1,79	3,39	3,56	5,75	5,99
Water flow rate (***)	l/h	VI	179	393	238	335	783	486	1002
		V	165	364	221	320	750	461	972
		IV	135	297	209	303	702	455	949
		III	125	276	176	287	665	433	911
		II	114	252	157	265	601	406	865
		I	100	220	132	245	553	403	840
Water pressure drops (***)	kPa	VI	4,9	6,5	5,4	3,2	5,0	8,1	8,0
		V	4,2	5,7	4,7	2,9	4,7	7,4	7,5
		IV	3,2	4,0	4,6	2,7	4,2	5,1	6,7
		III	3,1	3,5	3,6	2,6	4,0	4,6	6,1
		II	2,7	3,0	2,9	2,5	3,7	4,1	5,3
		I	2,1	2,9	1,8	2,2	3,1	3,9	4,9
Heating capacity (input water 70°C) (**)	kW	VI	4,09	4,17	6,05	8,28	8,23	11,85	11,81
		V	3,75	3,83	5,61	7,91	7,85	11,31	11,27
		IV	3,04	3,12	5,28	7,5	7,43	11,33	11,14
		III	2,79	2,85	4,38	7,08	7,02	10,83	10,64
		II	2,54	2,61	3,84	6,54	6,42	10,21	9,98
		I	2,2	2,26	3,14	6	5,88	10,21	9,9
Water flow rate (**)	l/h	VI	352	359	520	711	703	1018	1000
		V	322	329	482	679	671	972	955
		IV	261	268	454	645	637	974	946
		III	240	245	376	608	602	931	904
		II	218	224	330	562	551	877	850
		I	189	194	270	515	505	877	844
Water pressure drops (**)	kPa	VI	5,3	5,5	6,7	4,1	4,2	11,1	8
		V	4,5	4,7	5,9	3,7	3,8	10,2	7,3
		IV	3,1	3,3	6,2	3,5	3,5	7,7	6,7
		III	3,2	2,8	4,2	3,1	3,3	7	6
		II	2,7	2,4	3,3	3,5	3,2	6,3	5,1
		I	2,1	2,3	2,4	3,1	2,7	6	4,9
Nominal heating capacity additional coil KB4 (**)	kW	VI	2,22	2,11	3,54	4,14	3,93	5,09	4,84
		V	2,08	1,98	3,34	4,12	3,91	4,9	4,66
		IV	1,93	1,83	3,2	4,0	3,80	4,8	4,56
		III	1,71	1,62	2,81	3,9	3,71	4,7	4,47
		II	1,6	1,52	2,53	3,8	3,61	4,59	4,36
		I	1,44	1,37	2,14	3,72	3,53	4,48	4,26
Water flow rate additional coil KB4 (**)	l/h	VI	191	181	304	356	338	437	416
		V	179	170	287	344	336	421	400
		IV	166	158	275	350	326	429	392
		III	147	139	241	335	319	413	384
		II	138	131	217	342	310	394	375
		I	124	118	184	320	303	385	366
Pressure drops additional coil KB4 (**)	kPa	VI	1,4	1,4	4,2	5,6	5,6	8	8,0
		V	1,3	1,3	3,8	5,2	5,2	7,5	7,5
		IV	1	1,0	3,5	5,4	5,4	7,4	7,4
		III	0,9	0,9	3,2	5	5,0	7,3	7,3
		II	0,8	0,8	2,7	4,5	4,5	6,7	6,7
		I	0,6	0,8	1,7	5,7	5,7	6,4	6,4
Electric heater (●)	kW		2,0	2,0	3,0	3,0	3,0	3,0	3,0

		Model	40	48	50	60	74	80	88
Air flow speed	m ³ /h	VI	275	275	450	620	620	912	862
		V	250	250	411	587	587	858	828
		IV	198	198	382	539	539	820	800
		III	180	180	315	504	504	772	759
		II	163	163	270	445	445	715	708
		I	140	140	210	402	402	685	680
Speed available head pressure	Pa	VI	56	56	69	66	66	62	62
		V	50	50	58	59	59	54	54
		IV	33	33	50	50	50	50	50
		III	28	28	36	44	44	45	45
		II	24	24	26	34	34	39	39
		I	18	18	19	28	28	35	35
Fans	No.		2	2	2	2	3	3	
Flow sound power level	dB(A)	VI	47	47	48	56	54	57	57
		V	45	45	46	55	53	55	55
		IV	43	43	45	54	51	54	54
		III	42	42	42	51	50	53	53
		II	38	38	40	50	47	51	51
		I	37	37	38	48	46	50	50
Radiated and return sound power level	dB(A)	VI	54	54	56	62	62	64	64
		V	51	51	53	60	60	62	62
		IV	47	47	51	58	58	61	61
		III	45	45	47	56	56	58	58
		II	42	42	45	53	53	57	57
		I	41	41	42	51	51	56	56
Flow sound pressure level (****)	dB(A)	VI	38	38	39	47	45	48	48
		V	36	36	37	46	44	46	46
		IV	34	34	36	45	42	45	45
		III	33	33	33	42	41	44	44
		II	29	29	31	41	38	42	42
		I	28	28	29	39	37	41	41
Radiated and return sound pressure level (****)	dB(A)	VI	45	45	47	53	53	55	55
		V	42	42	44	51	51	53	53
		IV	38	38	42	49	49	52	52
		III	36	36	38	47	47	49	49
		II	33	33	36	44	44	48	48
		I	32	32	33	42	42	47	47
Rows main battery	n.	3	4	2	3	4	3	4	
Main coil water content	l	1,74	2,32	2,35	3,35	3,14	3,35	3,14	
Coil water content KB4	l	0,53	0,53	0,69	0,69	0,69	0,69	0,69	
Absorbed power	W	VI	68	71	94	114	120	154	154
		V	60	63	78	104	109	134	134
		IV	41	43	71	81	85	115	115
		III	36	38	60	78	82	109	109
		II	32	34	49	75	79	106	105
		I	27	28	39	73	77	91	91
Absorbed current	A	VI	0,3	0,32	0,42	0,51	0,54	0,69	0,69
		V	0,27	0,28	0,35	0,46	0,48	0,6	0,60
		IV	0,18	0,19	0,32	0,36	0,38	0,51	0,51
		III	0,16	0,17	0,27	0,35	0,37	0,49	0,49
		II	0,14	0,15	0,22	0,33	0,35	0,47	0,47
		I	0,12	0,13	0,18	0,33	0,35	0,41	0,41
Power supply	V-ph-Hz	230 – 1 – 50							
Width	mm	950	950	1250	1250	1250	1250	1250	
Height	mm	545	545	545	545	545	545	545	
Depth	mm	212	212	212	212	212	212	212	
Weight	Kg	26	27	35	35	36	37	38	
Standard coil connections		¾ G (F)							
Additional coil connections KB4		½ G (F)							
Condensate drain connection (Ø)	mm	16	16	16	16	16	16	16	

(*) In the following conditions: room temperature 27°C D.B.; 19°C W.B.; input water temperature 7°C with Δt 5°C

(**) In the following conditions: room temperature 20°C; input water temperature 70°C with Δt 10°C

(***) In the following conditions: room temperature 20°C; input water temperature 50°C, water flow rate as in cooling

(****) Sound pressure level in dB (A) for an environment with a volume of 100 m³ and reverberation time = 0.5 sec.

(●) KRER2 accessories, power supply 230V – 1ph – 50Hz

N.B. The data written in bold refers to the 6 speeds wired in the terminal block. Data in bold refer to the speed Eurovent certified.



Yardy-ID2

		Model	40 S	40 H	48 S	48 H	60 S	60 H	74 S	74 H	80 S	80 H	88 S	88 H
Nominal cooling capacity (total heat) (*)	kW	Max	2,42	3,08	2,65	3,35	3,37	4,22	3,90	4,68	4,75	6,02	5,10	6,40
		Med	2,05	2,76	2,28	3,01	3,09	3,98	3,57	4,50	3,84	5,42	4,30	5,80
		Min	1,20	1,20	1,29	1,29	1,59	1,59	1,73	1,73	2,04	2,04	2,30	2,30
Nominal cooling capacity (sensitive heat) (*)	kW	Max	1,81	2,27	1,88	2,41	2,82	3,43	2,92	3,58	3,75	4,46	3,68	4,50
		Med	1,56	2,05	1,61	2,15	2,55	3,27	2,66	3,40	3,15	3,85	3,08	4,05
		Min	0,83	0,83	1,10	1,10	1,11	1,11	1,24	1,24	1,45	1,45	1,63	1,63
Water flow rate (*)	l/h	Max	415	529	445	575	578	724	633	803	815	1033	802	1099
		Med	352	474	387	517	530	683	585	773	659	930	695	996
		Min	206	206	221	221	273	273	296	297	350	350	391	395
Water pressure drops (*)	kPa	Max	7,7	11,9	8,0	12,0	3,0	4,5	4,4	5,3	8,0	8,7	7,0	8,4
		Med	5,7	9,7	6,2	10,0	2,6	4,1	4,2	4,9	5,5	8,3	6,4	7,9
		Min	2,7	2,7	2,3	2,3	1,0	1,0	3,9	3,9	1,2	1,2	5,6	5,6
Heating capacity (input water 50°C) (***)	kW	Max	3,00	3,86	3,06	3,94	4,46	5,52	4,55	5,63	6,58	8,55	6,71	8,72
		Med	2,54	3,44	2,59	3,51	4,05	5,23	4,13	5,33	5,39	7,69	5,50	7,84
		Min	1,39	1,39	1,42	1,42	1,90	1,90	1,94	1,94	2,92	2,92	2,98	2,98
Water flow rate (***)	l/h	Max	415	529	445	575	578	724	633	803	815	1033	802	1099
		Med	352	474	387	517	530	683	585	773	659	930	695	996
		Min	206	206	221	221	273	273	296	297	350	350	391	395
Water pressure drops (***)	kPa	Max	7,0	10,9	7,6	11,4	2,8	4,2	4,2	5,0	7,4	8,0	6,7	8,0
		Med	5,3	8,9	4,3	9,5	2,4	3,8	6,96	4,7	5,0	7,7	6,1	7,5
		Min	2,5	2,5	2,2	2,2	1,0	1,0	3,7	3,7	1,1	1,1	5,3	5,3
Heating capacity (input water 70°C) (**)	kW	Max	5,06	6,50	5,08	6,51	7,8	9,51	7,68	9,44	11,48	14,81	11,26	14,32
		Med	4,31	5,79	4,30	5,8	7,07	9,05	6,96	8,93	9,55	13,41	9,20	12,88
		Min	2,34	2,34	2,35	2,35	3,24	3,24	3,23	3,23	5,2	5,2	4,95	4,94
Water flow rate (**)	l/h	Max	435	558	436	559	670	817	658	803	986	1272	957	1207
		Med	370	497	369	498	608	777	597	761	820	1152	786	1092
		Min	201	201	202	202	278	278	277	277	446	446	425	424
Water pressure drops (**)	kPa	Max	7,6	12	7,3	10,8	1,3	1,2	4,5	5,0	10,4	11,6	9,2	9,5
		Med	5,8	9,7	5,4	8,9	3,1	4,8	4,1	4,5	7,4	11,3	7,6	8,9
		Min	2,4	2,4	1,9	1,9	2,9	4,3	3,3	3,3	1,7	1,7	6,2	6
Nominal heating capacity additional coil KB4 (**)	kW	Max	2,59	3,12	2,46	2,96	3,94	4,61	3,74	4,57	5,04	6,32	4,79	6,00
		Med	2,30	2,86	2,19	2,72	3,67	4,43	3,49	4,21	4,35	5,68	4,13	5,59
		Min	1,47	1,47	1,40	1,40	2,20	2,20	2,19	2,19	2,78	2,78	2,64	2,64
Water flow rate additional coil KB4 (**)	l/h	Max	223	268	211	254	338	396	321	393	433	543	411	515
		Med	198	246	188	234	315	381	300	362	374	488	355	480
		Min	126	126	120	120	189	189	188	188	239	239	227	227
Pressure drops additional coil KB4 (**)	kPa	Max	1,9	2,6	1,9	2,8	5,1	6,8	5,1	6,7	7,9	11,9	7,9	11,9
		Med	1,5	2,2	1,5	2,2	4,5	6,3	4,5	6,3	6,0	9,8	6,0	9,8
		Min	0,6	0,6	1,0	1,0	2,2	2,2	2,2	2,2	2,7	2,7	2,7	2,7
Electric heater (●)	kW	2,0			3,0			3,0			3,0			
Air flow speed	m³/h	Max	350	469	350	469	573	737	573	737	767	1010	738	949
		Med	291	410	291	410	512	691	512	691	606	866	594	831
		Min	150	150	150	150	214	214	214	214	284	284	284	284
Speed available head pressure	Pa	Max	70	64	70	64	61	56	61	56	76	65	74	64
		Med	50	50	50	50	50	50	50	50	50	50	50	50
		Min	8	8	8	8	6	6	6	6	7	7	7	7
Fans	n°	Max	2	2	2	2	2	2	2	2	3	3	3	3
		Med	51	56	51	56	55	57	55	57	57	58	57	58
		Min	48	52	47	52	52	56	52	56	56	57	56	57
Radiated and return sound power level	dB(A)	Max	30	30	30	30	30	30	30	30	30	30	30	30
		Med	55	60	55	60	60	62	60	62	63	64	62	64
		Min	55	56	55	56	56	60	56	60	60	62	60	62
Flow sound pressure level (****)	dB(A)	Max	32	32	32	32	32	32	32	32	32	32	32	32
		Med	42	47	42	47	46	48	46	48	48	49	48	49
		Min	39	43	38	43	43	47	43	47	47	48	47	48
Radiated and return sound pressure level (****)	dB(A)	Max	21	21	21	21	21	21	21	21	21	21	21	21
		Med	46	51	46	51	51	53	51	53	54	55	53	55
		Min	46	47	46	47	47	51	47	51	51	53	51	53
Rows main battery	n.	3	3	4	4	3	3	4	4	3	3	4	4	
Main coil water content	l	1,74	1,74	2,32	2,32	3,35	3,35	3,14	3,14	3,35	3,35	3,14	3,14	
Coil water content KB4	l	0,53	0,53	0,53	0,53	0,69	0,69	0,69	0,69	0,69	0,69	0,69	0,69	
Absorbed power	W	Max	57	69	60	72	80	100	84	105	105	140	105	140
		Med	36	60	38	63	65	80	68	84	48	58	48	58
		Min	8	8	8	8	8	8	8	8	13	13	13	13
Max. absorbed current	A	Max	0,44	0,53	0,46	0,56	0,83	1,04	0,87	1,09	0,75	1	0,75	1,00
		Med	0,28	0,46	0,29	0,48	0,68	0,83	0,71	0,87	0,34	0,41	0,34	0,81
		Min	0,06	0,06	0,06	0,06	0,08	0,08	0,08	0,08	0,09	0,09	0,09	0,09
Power supply	V-ph-Hz	230-1-50												
Width	mm	950	950	95	95	1250	1250	1250	1250	1250	1250	1250	1250	1250
Height	mm	545	545	545	545	545	545	545	545	545	545	545	545	545
Depth	mm	212	212	212	212	212	212	212	212	212	212	212	212	212
Weight	Kg	25,5	25,5	27,0	27,0	34,5	34,5	35,5	35,5	35,5	36,5	36,5	37,5	37,5
Standard coil connections		¾ G (F)												
Additional coil connections KB4		½ G (F)												
Condensate drain connection (Ø)	mm	16												

(*) In the following conditions: room temperature 27°C D.B.; 19°C W.B.; input water temperature 7°C with Δt 5°C

(**) In the following conditions: room temperature 20°C; input water temperature 70°C with Δt 10°C

(***) In the following conditions: room temperature 20°C; input water temperature 50°C, water flow rate as in cooling

(****) Sound pressure level in dB (A) for an environment with a volume of 100 m³ and reverberation time = 0.5 sec.

(●) KRER2 accessories, power supply 230V – 1ph – 50Hz

N.B. The performance refers to the following configurations: **STANDARD (S)**: 2/6,5/8 Vdc signal at min/med/max speeds
BOOSTED (H): 2/7/10 Vdc signal at min/med/max speeds for high pressure ducts.

Performance

Yardy-EV3 15 capacities

Cooling capacity

Model					Tai: 23°C / 47% UR				Tai: 25°C / 47% UR				Tai: 27°C / 47% UR				Tai: 29°C / 47% UR			
Spd	Afl m³/h	Twi °C	G l/h	Δpw kPa	QT kW	QS kW	Tau °C	UR %	QT kW	QS kW	Tau °C	UR %	QT kW	QS kW	Tau °C	UR %	QT kW	QS kW	Tau °C	UR %
min (6)	100	5	131	7,3	0,56	0,48	8,7	92	0,66	0,52	9,3	92	0,76	0,57	10,0	93	0,88	0,61	10,6	94
med (4)	163	5	185	12,2	0,78	0,68	10,4	89	0,93	0,75	11,2	89	1,08	0,81	12,0	90	1,24	0,88	12,8	90
max (2)	209	5	218	18,0	0,93	0,78	11,8	87	1,09	0,85	12,7	87	1,27	0,93	13,7	88	1,46	1,00	14,6	88
min (6)	100	6	122	6,4	0,50	0,45	9,6	92	0,60	0,49	10,2	92	0,71	0,54	10,8	93	0,82	0,58	11,5	93
med (4)	163	6	171	10,6	0,71	0,64	11,2	88	0,85	0,71	12,0	89	0,99	0,77	12,8	89	1,15	0,84	13,6	90
max (2)	209	6	201	15,6	0,83	0,73	12,5	87	1,00	0,81	13,4	87	1,17	0,88	14,4	87	1,36	0,95	15,4	88
min (6)	100	7	112	5,5	0,47	0,44	9,9	94	0,55	0,47	11,0	92	0,65	0,51	11,7	92	0,76	0,55	12,4	93
med (4)	163	7	156	9,0	0,68	0,65	11,1	92	0,77	0,67	12,7	88	0,91	0,73	13,6	89	1,06	0,79	14,4	89
max (2)	209	7	184	13,3	0,77	0,71	12,8	88	0,90	0,76	14,1	87	1,07	0,83	15,1	87	1,25	0,90	16,1	87
min (6)	100	8	102	4,6	0,45	0,45	9,6	98	0,49	0,44	11,9	92	0,59	0,48	12,6	92	0,70	0,52	13,3	92
med (4)	163	8	141	7,5	0,63	0,63	11,4	94	0,68	0,63	13,5	88	0,82	0,69	14,4	88	0,97	0,75	15,3	89
max (2)	209	8	165	11,0	0,74	0,72	12,6	92	0,80	0,71	14,8	86	0,96	0,78	15,8	87	1,14	0,85	16,8	87
min (6)	100	9	91	3,8	0,42	0,42	10,3	101	0,47	0,44	11,9	94	0,53	0,45	13,5	91	0,63	0,49	14,2	92
med (4)	163	9	125	6,0	0,60	0,60	12,0	98	0,66	0,64	13,3	92	0,73	0,64	15,2	88	0,87	0,70	16,1	88
max (2)	209	9	146	8,8	0,70	0,70	12,9	95	0,77	0,72	14,6	90	0,85	0,73	16,5	86	1,02	0,79	17,6	87
min (6)	100	10	84	3,3	0,39	0,39	11,4	101	0,44	0,44	11,7	98	0,49	0,44	13,8	93	0,57	0,47	15,0	91
med (4)	163	10	121	5,7	0,54	0,54	13,0	96	0,62	0,62	13,6	94	0,70	0,65	15,1	91	0,79	0,67	16,7	88
max (2)	209	10	141	8,2	0,64	0,64	13,8	93	0,73	0,72	14,7	92	0,82	0,73	16,5	89	0,93	0,76	18,1	86

Heating capacity

Model					Tai: 10°		Tai: 15°		Tai: 20°		Tai: 22°	
Spd	Afl m³/h	Twi °C	G l/h	Δpw kPa	Q kW	Tau °C	Q kW	Tau °C	Q kW	Tau °C	Q kW	Tau °C
min (6)	100	40	131	6,8	0,86	35,8	0,71	36,4	0,57	37,0	0,51	37,3
med (4)	163	40	185	11,3	1,28	33,6	1,06	34,6	0,85	35,6	0,76	36,0
max (2)	209	40	218	16,5	1,52	31,8	1,26	33,1	1,00	34,4	0,90	35,0
min (6)	100	45	122	5,9	1,00	39,9	0,85	40,5	0,71	41,2	0,65	41,4
med (4)	163	45	171	9,8	1,48	37,3	1,27	38,3	1,05	39,4	0,97	39,8
max (2)	209	45	201	14,3	1,76	35,2	1,50	36,5	1,25	37,9	1,14	38,4
min (6)	100	50	112	5,1	1,13	43,9	0,98	44,5	0,84	45,2	0,78	45,5
med (4)	163	50	156	8,3	1,68	40,9	1,46	41,9	1,25	43,0	1,16	43,4
max (2)	209	50	184	12,2	1,99	38,5	1,73	39,9	1,48	41,2	1,38	41,8
min (6)	100	60	94	3,7	1,39	51,6	1,24	52,2	1,10	53,0	1,04	53,3
med (4)	163	60	142	7,0	2,09	48,4	1,87	49,4	1,66	50,5	1,57	50,9
max (2)	209	60	168	10,4	2,46	45,3	2,21	46,7	1,96	48,1	1,86	48,6
min (6)	100	70	124	6,2	1,75	62,6	1,60	63,0	1,45	63,4	1,39	63,6
med (4)	163	70	186	11,3	2,61	58,1	2,38	58,9	2,16	59,7	2,07	60,1
max (2)	209	70	218	16,6	3,07	54,1	2,80	55,2	2,54	56,4	2,43	56,9
min (6)	100	80	153	8,9	2,09	72,8	1,94	73,1	1,78	73,3	1,72	73,5
med (4)	163	80	228	16,4	3,12	67,4	2,88	68,1	2,65	68,8	2,56	69,1
max (2)	209	80	268	24,0	3,67	62,6	3,39	63,7	3,12	64,8	3,01	65,2

Spd Terminal board wired fan speed.
The number shown in brackets indicates the wired speed on the autotransformer.

Afl Air flow rate

Twi Water inlet temperature

G Water flow rate

Δpw Water side pressure drops

Tai Air inlet temperature

UR Relative humidity

QT Cooling capacity (total heat)

QS Cooling capacity (sensitive heat)

Q Heating capacity

Tau Air outlet temperature

Heating capacity additional coil KB4-4

Model					Tai: 10°		Tai: 15°		Tai: 20°		Tai: 22°	
Spd	Afl m³/h	Twi °C	G l/h	Δpw kPa	Q kW	Tau °C	Q kW	Tau °C	Q kW	Tau °C	Q kW	Tau °C
min (6)	100	60	42	0,3	0,83	34,8	0,74	37,3	0,66	39,8	0,63	40,8
med (4)	163	60	73	0,9	1,07	29,7	0,96	32,7	0,86	35,7	0,81	36,9
max (2)	209	60	86	1,3	1,26	28,1	1,13	31,2	1,00	34,4	0,95	35,7
min (6)	100	70	84	1,1	1,18	45,4	1,08	47,4	0,98	49,4	0,94	50,2
med (4)	163	70	102	1,7	1,43	36,4	1,31	39,1	1,19	41,9	1,14	43,0
max (2)	209	70	121	2,4	1,70	34,4	1,55	37,3	1,41	40,2	1,35	41,4
min (6)	100	80	108	1,7	1,47	54,1	1,36	55,8	1,25	57,6	1,21	58,3
med (4)	163	80	132	2,7	1,79	43,0	1,66	45,6	1,53	48,2	1,48	49,2
max (2)	209	80	154	3,7	2,09	40,1	1,94	42,9	1,79	45,7	1,73	46,8

Yardy-EV3 20 capacities

Cooling capacity

Model					Tai: 23°C / 47% UR				Tai: 25°C / 47% UR				Tai: 27°C / 47% UR				Tai: 29°C / 47% UR			
Spd	Afl m³/h	Twi °C	G l/h	Δpw kPa	QT kW	QS kW	Tau °C	UR %	QT kW	QS kW	Tau °C	UR %	QT kW	QS kW	Tau °C	UR %	QT kW	QS kW	Tau °C	UR %
min (1)	155	5	229	6,9	0,97	0,72	9,1	99	1,15	0,79	9,8	99	1,34	0,86	10,4	100	1,53	0,92	11,1	100
med (3)	207	5	281	8,7	1,19	0,90	10,0	97	1,41	0,98	10,7	97	1,64	1,07	11,5	98	1,88	1,15	12,3	98
max (5)	288	5	365	14,2	1,55	1,22	10,3	94	1,83	1,34	11,1	95	2,13	1,45	11,9	95	2,44	1,56	12,7	96
min (1)	155	6	213	6,0	0,88	0,68	9,9	98	1,06	0,75	10,6	99	1,24	0,81	11,3	99	1,43	0,88	12,0	100
med (3)	207	6	260	7,6	1,08	0,84	10,8	96	1,29	0,93	11,5	97	1,52	1,02	12,3	97	1,75	1,10	13,1	98
max (5)	288	6	338	12,3	1,40	1,15	11,1	94	1,68	1,26	11,9	94	1,97	1,38	12,7	95	2,28	1,49	13,5	95
min (1)	155	7	196	5,2	0,83	0,67	10,1	101	0,96	0,70	11,4	98	1,14	0,77	12,1	99	1,33	0,84	12,8	99
med (3)	207	7	239	6,5	1,02	0,83	10,9	99	1,17	0,88	12,3	96	1,39	0,96	13,1	97	1,62	1,04	13,9	97
max (5)	288	7	309	10,5	1,32	1,13	11,2	97	1,52	1,19	12,6	94	1,80	1,30	13,5	94	2,10	1,41	14,3	95
min (1)	155	8	178	4,4	0,77	0,65	10,4	103	0,89	0,68	11,9	100	1,04	0,73	12,9	98	1,22	0,79	13,7	99
med (3)	207	8	216	5,4	0,94	0,81	11,3	101	1,08	0,84	12,8	98	1,26	0,90	13,9	96	1,49	0,98	14,7	97
max (5)	288	8	279	8,7	1,23	1,12	11,4	100	1,39	1,14	13,1	95	1,63	1,22	14,3	94	1,92	1,33	15,1	94
min (1)	155	9	159	3,6	0,71	0,63	10,7	106	0,82	0,66	12,2	102	0,93	0,68	13,8	98	1,11	0,75	14,6	98
med (3)	207	9	197	4,6	0,86	0,79	11,5	103	1,00	0,82	13,0	99	1,13	0,85	14,7	96	1,35	0,93	15,5	96
max (5)	288	9	252	7,3	1,13	1,09	11,6	102	1,29	1,11	13,4	97	1,49	1,18	14,8	95	1,73	1,25	16,0	94
min (1)	155	10	152	3,3	0,64	0,61	11,2	107	0,75	0,63	12,7	102	0,88	0,68	13,9	100	1,01	0,71	15,3	98
med (3)	207	10	183	4,0	0,78	0,76	12,0	103	0,92	0,80	13,4	101	1,07	0,84	14,9	98	1,22	0,88	16,3	96
max (5)	288	10	234	6,4	1,01	1,01	12,4	100	1,18	1,08	13,7	98	1,36	1,13	15,2	96	1,60	1,21	16,4	95

Heating capacity

Model					Tai: 10°		Tai: 15°		Tai: 20°		Tai: 22°	
Spd	Afl m³/h	Twi °C	G l/h	Δpw kPa	Q kW	Tau °C	Q kW	Tau °C	Q kW	Tau °C	Q kW	Tau °C
min (1)	155	40	229	6,4	1,50	38,9	1,24	39,0	0,99	39,1	0,89	39,1
med (3)	207	40	281	8,0	1,78	35,8	1,48	36,4	1,18	37,0	1,06	37,3
max (5)	288	40	365	13,1	2,37	34,6	1,96	35,4	1,56	36,3	1,40	36,6
min (1)	155	45	213	5,6	1,73	43,6	1,48	43,6	1,23	43,7	1,13	43,8
med (3)	207	45	260	7,0	2,07	40,0	1,76	40,5	1,46	41,2	1,34	41,4
max (5)	288	45	338	11,4	2,74	38,6	2,34	39,4	1,94	40,2	1,78	40,6
min (1)	155	50	196	4,8	1,97	48,1	1,71	48,1	1,46	48,3	1,36	48,3
med (3)	207	50	239	6,0	2,34	44,0	2,04	44,6	1,74	45,2	1,62	45,5
max (5)	288	50	309	9,7	3,11	42,4	2,71	43,2	2,31	44,1	2,15	44,4
min (1)	155	60	164	3,5	2,41	56,7	2,16	56,8	1,91	57,0	1,81	57,0
med (3)	207	60	194	4,1	2,86	51,4	2,56	52,1	2,26	52,8	2,15	53,1
max (5)	288	60	259	7,1	3,81	49,7	3,41	50,5	3,02	51,5	2,86	51,8
min (1)	155	70	216	5,7	3,05	69,0	2,78	68,8	2,51	68,6	2,41	68,6
med (3)	207	70	256	6,8	3,61	62,3	3,29	62,7	2,98	63,1	2,85	63,3
max (5)	288	70	338	11,4	4,76	59,6	4,34	60,2	3,93	60,9	3,77	61,2
min (1)	155	80	266	8,3	3,65	80,6	3,37	80,2	3,09	79,8	2,98	79,7
med (3)	207	80	313	9,8	4,30	72,3	3,97	72,6	3,65	72,8	3,52	73,0
max (5)	288	80	414	16,4	5,68	69,1	5,25	69,7	4,82	70,2	4,65	70,4

Spd	Terminal board wired fan speed. The number shown in brackets indicates the wired speed on the autotransformer.
Afl	Air flow rate
Twi	Water inlet temperature
G	Water flow rate
Δpw	Water side pressure drops
Tai	Air inlet temperature
UR	Relative humidity
QT	Cooling capacity (total heat)
QS	Cooling capacity (sensitive heat)
Q	Heating capacity
Tau	Air outlet temperature

Heating capacity additional coil KB4-4

Model					Tai: 10°		Tai: 15°		Tai: 20°		Tai: 22°	
Spd	Afl m³/h	Twi °C	G l/h	Δpw kPa	Q kW	Tau °C	Q kW	Tau °C	Q kW	Tau °C	Q kW	Tau °C
min (1)	155	60	92	1,9	1,34	36,0	1,21	38,3	1,07	40,7	1,02	41,7
med (3)	207	60	107	2,8	1,56	32,7	1,41	35,4	1,25	38,1	1,18	39,2
max (5)	288	60	137	4,0	1,99	30,7	1,79	33,6	1,59	36,5	1,51	37,7
min (1)	155	70	126	3,4	1,77	44,3	1,62	46,4	1,47	48,5	1,41	49,3
med (3)	207	70	148	5,0	2,07	40,0	1,90	42,5	1,72	44,9	1,65	45,9
max (5)	288	70	186	7,0	2,60	37,1	2,38	39,8	2,16	42,5	2,07	43,6
min (1)	155	80	160	5,2	2,18	52,1	2,02	54,0	1,86	55,9	1,79	56,7
med (3)	207	80	184	7,4	2,51	46,4	2,33	48,7	2,14	51,1	2,07	52,0
max (5)	288	80	230	10,3	3,14	42,7	2,91	45,3	2,68	47,9	2,59	49,0

Yardy-EV3 24 capacities

Cooling capacity

Model					Tai: 23°C / 47% UR				Tai: 25°C / 47% UR				Tai: 27°C / 47% UR				Tai: 29°C / 47% UR			
Spd	Afl m³/h	Twl °C	G l/h	Δpw kPa	QT kW	QS kW	Tau °C	UR %	QT kW	QS kW	Tau °C	UR %	QT kW	QS kW	Tau °C	UR %	QT kW	QS kW	Tau °C	UR %
min (2)	177	5	296	13,5	1,25	0,89	7,9	99,8	1,48	0,98	8,4	99,8	1,72	1,07	8,9	99,8	1,97	1,16	9,4	99,8
med (4)	238	5	382	20,7	1,61	1,15	8,4	99,8	1,91	1,27	9,0	99,8	2,22	1,38	9,6	99,8	2,54	1,50	10,2	99,8
max (6)	339	5	454	28,4	1,92	1,39	10,7	99,8	2,27	1,53	11,5	99,8	2,63	1,66	12,3	99,8	3,02	1,80	13,1	99,8
min (2)	177	6	274	11,7	1,14	0,84	8,8	99,8	1,36	0,93	9,3	99,8	1,60	1,02	9,8	99,8	1,85	1,10	10,3	99,8
med (4)	238	6	353	17,9	1,46	1,09	9,3	99,8	1,75	1,20	9,9	99,8	2,06	1,31	10,5	99,8	2,38	1,42	11,1	99,8
max (6)	339	6	418	24,5	1,74	1,31	11,4	99,8	2,08	1,44	12,2	99,8	2,44	1,58	13,0	99,8	2,82	1,71	13,9	99,8
min (2)	177	7	252	10,1	1,05	0,80	9,4	99,8	1,24	0,87	10,2	99,8	1,47	0,96	10,7	99,8	1,72	1,04	11,3	99,8
med (4)	238	7	324	15,4	1,35	1,04	9,9	99,8	1,59	1,13	10,8	99,8	1,89	1,24	11,4	99,8	2,21	1,35	12,0	99,8
max (6)	339	7	385	21,0	1,60	1,26	11,9	99,8	1,89	1,36	13,0	99,8	2,24	1,49	13,8	99,8	2,62	1,62	14,7	99,8
min (2)	177	8	230	8,5	0,96	0,78	9,8	99,8	1,11	0,82	11,1	99,8	1,34	0,91	11,7	99,8	1,58	0,99	12,2	99,8
med (4)	238	8	295	13,0	1,24	1,01	10,3	99,8	1,43	1,06	11,6	99,8	1,72	1,17	12,3	99,8	2,03	1,28	12,9	99,8
max (6)	339	8	348	17,6	1,47	1,22	12,2	99,8	1,69	1,27	13,7	99,7	2,04	1,40	14,6	99,8	2,40	1,53	15,5	99,8
min (2)	177	9	207	7,1	0,87	0,75	10,2	99,8	1,03	0,80	11,5	99,8	1,20	0,85	12,6	99,8	1,44	0,93	13,2	99,8
med (4)	238	9	264	10,6	1,13	0,98	10,7	99,8	1,32	1,03	12,0	99,8	1,54	1,09	13,2	99,8	1,84	1,20	13,9	99,8
max (6)	339	9	311	14,4	1,34	1,18	12,5	99,8	1,57	1,24	14,0	99,8	1,81	1,31	15,4	99,5	2,17	1,43	16,3	99,8
min (2)	177	10	190	6,0	0,78	0,72	10,7	99,8	0,94	0,77	12,0	99,8	1,10	0,81	13,2	99,8	1,30	0,88	14,2	99,8
med (4)	238	10	242	9,1	1,02	0,94	11,2	99,8	1,21	0,99	12,5	99,8	1,44	1,07	13,5	99,8	1,66	1,13	14,8	99,8
max (6)	339	10	285	12,2	1,20	1,14	12,9	99,8	1,43	1,20	14,4	99,8	1,66	1,26	15,9	99,8	1,95	1,35	17,1	99,4

Heating capacity

Model					Tai: 10°		Tai: 15°		Tai: 20°		Tai: 22°	
Spd	Afl m³/h	Twl °C	G l/h	Δpw kPa	Q kW	Tau °C	Q kW	Tau °C	Q kW	Tau °C	Q kW	Tau °C
min (2)	177	40	294	12,6	1,76	39,8	1,45	39,7	1,16	39,6	1,04	39,6
med (4)	238	40	380	19,4	2,10	36,5	1,74	37,0	1,39	37,5	1,24	37,7
max (6)	339	40	451	26,7	2,84	35,1	2,35	35,8	1,87	36,6	1,68	36,9
min (2)	177	45	274	11,1	2,04	44,6	1,74	44,5	1,44	44,4	1,32	44,4
med (4)	238	45	353	17,0	2,45	40,8	2,08	41,3	1,73	41,7	1,58	42,0
max (6)	339	45	419	23,3	3,30	39,2	2,81	39,9	2,33	40,6	2,14	40,9
min (2)	177	50	252	9,6	2,33	49,4	2,02	49,2	1,72	49,2	1,60	49,1
med (4)	238	50	324	14,6	2,78	45,1	2,42	45,5	2,06	46,0	1,92	46,2
max (6)	339	50	384	20,0	3,75	43,2	3,26	43,9	2,78	44,6	2,59	44,9
min (2)	177	60	187	5,6	2,84	58,1	2,54	58,0	2,24	58,0	2,12	58,0
med (4)	238	60	225	7,6	3,38	52,6	3,02	53,1	2,67	53,7	2,53	53,9
max (6)	339	60	306	13,3	4,60	50,7	4,12	51,4	3,64	52,2	3,45	52,5
min (2)	177	70	243	8,9	3,49	69,2	3,18	68,9	2,87	68,6	2,75	68,6
med (4)	238	70	290	11,9	4,16	62,4	3,78	62,7	3,42	63,1	3,27	63,3
max (6)	339	70	394	20,9	5,66	60,1	5,16	60,6	4,66	61,3	4,47	61,5
min (2)	177	80	296	12,8	4,13	80,0	3,80	79,5	3,49	79,1	3,36	79,0
med (4)	238	80	354	17,1	4,92	72,0	4,54	72,2	4,16	72,5	4,01	72,6
max (6)	339	80	482	30,0	6,71	69,4	6,19	69,8	5,68	70,3	5,48	70,5

Spd Terminal board wired fan speed.
The number shown in brackets indicates the wired speed on the autotransformer.

Afl Air flow rate

Twl Water inlet temperature

G Water flow rate

Δpw Water side pressure drops

Tai Air inlet temperature

UR Relative humidity

QT Cooling capacity (total heat)

QS Cooling capacity (sensitive heat)

Q Heating capacity

Tau Air outlet temperature

Heating capacity additional coil KB4-4

Model					Tai: 10°		Tai: 15°		Tai: 20°		Tai: 22°	
Spd	Afl m³/h	Twl °C	G l/h	Δpw kPa	Q kW	Tau °C	Q kW	Tau °C	Q kW	Tau °C	Q kW	Tau °C
min (1)	100	60	62	0,4	0,97	39,1	0,87	41,2	0,77	43,2	0,73	44,0
med (3)	163	60	74	0,7	1,17	31,6	1,06	34,4	0,94	37,2	0,89	38,4
max (5)	209	60	86	1,1	1,39	30,0	1,25	32,9	1,11	35,9	1,05	37,1
min (1)	100	70	84	0,4	1,18	45,5	1,08	47,4	0,98	49,4	0,94	50,2
med (3)	163	70	102	0,8	1,43	36,4	1,31	39,1	1,19	41,9	1,14	43,0
max (5)	209	70	121	1,2	1,70	34,4	1,55	37,3	1,41	40,2	1,35	41,4
min (1)	100	80	108	0,4	1,38	51,5	1,28	53,4	1,18	55,4	1,14	56,2
med (3)	163	80	132	0,9	1,68	40,9	1,56	43,6	1,43	46,4	1,38	47,5
max (5)	209	80	154	1,2	1,99	38,5	1,84	41,4	1,70	44,4	1,64	45,5

Yardy-EV3 25 capacities

Cooling capacity

Model					Tai: 23°C / 47% UR				Tai: 25°C / 47% UR				Tai: 27°C / 47% UR				Tai: 29°C / 47% UR			
Spd	Afl m³/h	Tw °C	G l/h	Δpw kPa	QT kW	QS kW	Tau °C	UR %	QT kW	QS kW	Tau °C	UR %	QT kW	QS kW	Tau °C	UR %	QT kW	QS kW	Tau °C	UR %
min (2)	252	5	334	9,3	1,42	1,00	11,0	90	1,67	1,10	11,9	90	1,95	1,20	12,8	91	2,23	1,29	13,7	92
med (4)	339	5	419	15,2	1,78	1,34	11,2	88	2,10	1,46	12,0	88	2,44	1,59	12,9	89	2,80	1,71	13,8	90
max (6)	484	5	520	24,0	2,21	1,58	13,2	86	2,61	1,73	14,3	86	3,03	1,88	15,3	87	3,48	2,03	16,4	87
min (2)	252	6	308	8,1	1,28	0,94	11,8	90	1,53	1,04	12,6	90	1,80	1,13	13,5	91	2,08	1,22	14,4	91
med (4)	339	6	386	13,1	1,60	1,26	11,9	88	1,92	1,38	12,8	88	2,25	1,51	13,7	89	2,60	1,63	14,6	89
max (6)	484	6	479	20,7	1,99	1,49	13,8	85	2,38	1,64	14,9	86	2,79	1,78	16,0	86	3,23	1,93	17,1	87
min (2)	252	7	282	6,9	1,22	0,94	11,8	93	1,38	0,98	13,4	90	1,64	1,07	14,3	90	1,91	1,16	15,2	91
med (4)	339	7	352	11,1	1,52	1,25	11,9	91	1,73	1,30	13,5	88	2,05	1,42	14,4	88	2,39	1,54	15,4	89
max (6)	484	7	436	17,5	1,89	1,49	13,8	88	2,14	1,54	15,5	85	2,54	1,68	16,6	86	2,96	1,82	17,7	86
min (2)	252	8	254	5,7	1,15	0,94	11,8	96	1,27	0,95	13,7	91	1,48	1,01	15,0	90	1,74	1,09	16,0	90
med (4)	339	8	316	9,1	1,44	1,26	11,9	94	1,58	1,25	13,9	89	1,84	1,33	15,2	88	2,17	1,45	16,2	88
max (6)	484	8	391	14,4	1,79	1,50	13,7	91	1,96	1,48	15,8	87	2,28	1,58	17,2	85	2,69	1,71	18,4	86
min (2)	252	9	237	5,0	1,07	0,93	11,9	99	1,20	0,94	13,8	93	1,33	0,95	15,7	90	1,59	1,04	16,7	90
med (4)	339	9	286	7,6	1,33	1,23	12,1	96	1,48	1,23	14,1	91	1,69	1,29	15,6	89	1,96	1,36	16,9	88
max (6)	484	9	348	11,7	1,65	1,46	13,9	93	1,82	1,46	16,0	88	2,07	1,52	17,6	86	2,40	1,60	19,1	85
min (2)	252	10	216	4,3	0,97	0,87	12,6	96	1,12	0,93	13,9	96	1,26	0,94	15,8	92	1,43	0,98	17,4	89
med (4)	339	10	267	6,8	1,21	1,15	12,8	93	1,39	1,23	14,1	93	1,56	1,25	16,0	89	1,77	1,29	17,6	87
max (6)	484	10	330	10,6	1,50	1,37	14,5	91	1,73	1,46	15,9	91	1,92	1,47	17,9	87	2,18	1,52	19,6	85

Heating capacity

Model					Tai: 10°		Tai: 15°		Tai: 20°		Tai: 22°	
Spd	Afl m³/h	Tw °C	G l/h	Δpw kPa	Q kW	Tau °C	Q kW	Tau °C	Q kW	Tau °C	Q kW	Tau °C
min (2)	252	40	334	8,7	2,23	36,6	1,85	37,1	1,48	37,6	1,33	37,8
med (4)	339	40	419	14,0	2,78	34,6	2,31	35,4	1,84	36,3	1,65	36,6
max (6)	484	40	520	22,1	3,56	32,1	2,96	33,3	2,36	34,6	2,12	35,1
min (2)	252	45	308	7,5	2,59	40,8	2,21	41,3	1,83	41,8	1,69	42,1
med (4)	339	45	386	12,1	3,22	38,5	2,75	39,3	2,28	40,2	2,10	40,5
max (6)	484	45	479	19,1	4,12	35,5	3,52	36,8	2,92	38,1	2,69	38,6
min (2)	252	50	282	6,4	2,93	44,9	2,55	45,4	2,18	46,0	2,03	46,2
med (4)	339	50	352	10,2	3,64	42,2	3,17	43,1	2,71	44,0	2,53	44,4
max (6)	484	50	436	16,1	4,66	38,9	4,06	40,2	3,47	41,5	3,23	42,0
min (2)	252	60	246	5,0	3,61	53,0	3,24	53,6	2,87	54,1	2,72	54,4
med (4)	339	60	306	7,9	4,48	49,7	4,02	50,6	3,56	51,5	3,38	51,9
max (6)	484	60	393	13,4	5,76	45,7	5,16	47,0	4,58	48,4	4,34	48,9
min (2)	252	70	325	8,3	4,58	64,5	4,18	64,7	3,78	65,0	3,62	65,1
med (4)	339	70	399	12,8	5,61	59,7	5,13	60,4	4,64	61,1	4,45	61,4
max (6)	484	70	511	21,4	7,18	54,5	6,56	55,7	5,94	56,8	5,70	57,3
min (2)	252	80	399	11,9	5,46	75,0	5,05	75,1	4,64	75,2	4,48	75,3
med (4)	339	80	490	18,5	6,70	69,3	6,20	69,9	5,70	70,5	5,50	70,7
max (6)	484	80	628	31,0	8,59	63,2	7,95	64,2	7,31	65,3	7,06	65,7

Spd Terminal board wired fan speed.
The number shown in brackets indicates the wired speed on the autotransformer.

Afl Air flow rate

Tw Water inlet temperature

G Water flow rate

Δpw Water side pressure drops

Tai Air inlet temperature

UR Relative humidity

QT Cooling capacity (total heat)

QS Cooling capacity (sensitive heat)

Q Heating capacity

Tau Air outlet temperature

Heating capacity additional coil KB4-4

Model					Tai: 10°		Tai: 15°		Tai: 20°		Tai: 22°	
Spd	Afl m³/h	Tw °C	G l/h	Δpw kPa	Q kW	Tau °C	Q kW	Tau °C	Q kW	Tau °C	Q kW	Tau °C
min (2)	252	60	134	4,0	1,95	33,2	1,75	35,8	1,55	38,5	1,47	39,5
med (4)	339	60	167	5,8	2,44	31,6	2,20	34,4	1,95	37,2	1,85	38,4
max (6)	484	60	198	7,7	2,88	27,9	2,59	31,1	2,30	34,3	2,18	35,5
min (2)	252	70	177	6,7	2,48	39,6	2,27	42,0	2,06	44,5	1,98	45,5
med (4)	339	70	219	9,4	3,07	37,2	2,81	39,9	2,55	42,6	2,45	43,6
max (6)	484	70	259	12,6	3,62	32,5	3,32	35,6	3,01	38,7	2,89	39,9
min (2)	252	80	218	9,8	2,98	45,5	2,76	47,8	2,54	50,3	2,45	51,2
med (4)	339	80	271	13,8	3,69	42,6	3,42	45,2	3,15	47,9	3,04	48,9
max (6)	484	80	320	18,4	4,35	37,0	4,04	40,0	3,72	43,1	3,59	44,3

Yardy-EV3 30 capacities

Cooling capacity

Model					Tai: 23°C / 47% UR				Tai: 25°C / 47% UR				Tai: 27°C / 47% UR				Tai: 29°C / 47% UR			
Spd	Afl m³/h	Twl °C	G l/h	Δpw kPa	QT kW	QS kW	Tau °C	UR %	QT kW	QS kW	Tau °C	UR %	QT kW	QS kW	Tau °C	UR %	QT kW	QS kW	Tau °C	UR %
min (6)	281	5	364	5,5	1,55	1,22	10,0	97	1,83	1,33	10,8	98	2,12	1,45	11,5	98	2,43	1,56	12,3	99
med (4)	383	5	506	9,9	2,15	1,66	10,0	95	2,54	1,82	10,7	96	2,95	1,98	11,5	96	3,38	2,13	12,3	97
max (2)	483	5	581	12,8	2,47	1,99	10,6	94	2,91	2,18	11,4	94	3,38	2,37	12,3	95	3,88	2,56	13,1	95
min (6)	281	6	337	4,8	1,40	1,14	10,8	97	1,67	1,26	11,5	97	1,96	1,38	12,3	98	2,27	1,49	13,1	98
med (4)	383	6	468	8,6	1,94	1,56	10,8	95	2,32	1,72	11,5	95	2,72	1,87	12,3	96	3,15	2,03	13,1	96
max (2)	483	6	537	11,1	2,23	1,87	11,4	93	2,66	2,06	12,2	94	3,12	2,25	13,0	94	3,61	2,43	13,9	95
min (6)	281	7	309	4,1	1,32	1,13	11,0	99	1,52	1,19	12,3	97	1,80	1,30	13,1	95	2,10	1,41	13,9	98
med (4)	383	7	427	7,3	1,82	1,54	11,0	97	2,10	1,62	12,3	95	2,49	1,77	13,1	97	2,91	1,92	14,0	96
max (2)	483	7	489	9,4	2,09	1,84	11,6	96	2,40	1,94	13,0	93	2,85	2,12	13,8	94	3,33	2,30	14,7	94
min (6)	281	8	280	3,4	1,22	1,11	11,2	103	1,39	1,14	12,8	98	1,63	1,22	13,9	97	1,92	1,33	14,8	97
med (4)	383	8	385	6,1	1,69	1,51	11,2	100	1,92	1,55	12,8	96	2,25	1,66	14,0	95	2,65	1,81	14,8	95
max (2)	483	8	440	7,8	1,94	1,82	11,7	99	2,19	1,86	13,5	94	2,56	1,99	14,6	93	3,02	2,16	15,6	94
min (6)	281	9	258	3,0	1,12	1,08	11,4	105	1,29	1,11	13,1	100	1,50	1,18	14,4	98	1,75	1,26	15,5	97
med (4)	383	9	355	5,2	1,55	1,48	11,4	102	1,78	1,51	13,1	97	2,07	1,60	14,5	96	2,41	1,71	15,6	95
max (2)	483	9	404	6,7	1,78	1,77	12,0	100	2,03	1,81	13,7	96	2,35	1,92	15,1	94	2,74	2,04	16,3	93
min (6)	281	10	235	2,5	1,00	1,00	12,3	103	1,18	1,08	13,5	101	1,37	1,13	14,9	98	1,61	1,21	16,1	98
med (4)	383	10	329	4,6	1,40	1,38	12,2	100	1,65	1,49	13,3	100	1,92	1,56	14,7	97	2,22	1,65	16,1	96
max (2)	483	10	373	5,8	1,60	1,60	13,1	98	1,88	1,78	13,9	98	2,18	1,87	15,4	96	2,51	1,96	16,8	94

Heating capacity

Model					Tai: 10°		Tai: 15°		Tai: 20°		Tai: 22°	
Spd	Afl m³/h	Twl °C	G l/h	Δpw kPa	Q kW	Tau °C	Q kW	Tau °C	Q kW	Tau °C	Q kW	Tau °C
min (6)	281	40	364	5,1	2,43	35,9	2,01	36,5	1,60	37,1	1,44	37,4
med (4)	383	40	506	9,1	3,22	35,2	2,67	35,9	2,12	36,6	1,91	36,9
max (2)	483	40	581	11,7	3,95	34,5	3,28	35,3	2,61	36,2	2,34	36,6
min (6)	281	45	337	4,4	2,82	40,1	2,40	40,6	1,99	41,3	1,83	41,5
med (4)	383	45	468	7,9	3,73	39,2	3,18	39,9	2,64	40,7	2,42	41,0
max (2)	483	45	537	10,2	4,58	38,4	3,91	39,3	3,24	40,1	2,98	40,5
min (6)	281	50	309	3,8	3,19	44,1	2,78	44,7	2,37	45,3	2,21	45,6
med (4)	383	50	427	6,7	4,23	43,1	3,68	43,8	3,14	44,6	2,93	44,9
max (2)	483	50	489	8,6	5,18	42,2	4,51	43,0	3,85	43,9	3,59	44,3
min (6)	281	60	268	2,9	3,93	52,0	3,52	52,6	3,11	53,3	2,95	53,5
med (4)	383	60	351	4,7	5,16	50,4	4,62	51,2	4,09	52,0	3,88	52,4
max (2)	483	60	437	7,0	6,41	49,8	5,74	50,7	5,09	51,6	4,82	52,0
min (6)	281	70	353	4,8	4,99	63,3	4,55	63,6	4,11	63,9	3,94	64,1
med (4)	383	70	460	7,6	6,48	60,8	5,91	61,3	5,35	61,9	5,13	62,2
max (2)	483	70	567	11,2	7,99	59,6	7,29	60,3	6,60	61,0	6,32	61,3
min (6)	281	80	433	7,0	5,95	73,5	5,49	73,7	5,04	73,8	4,87	73,9
med (4)	383	80	563	11,0	7,73	70,5	7,14	70,9	6,56	71,4	6,33	71,6
max (2)	483	80	696	16,2	9,53	69,2	8,81	69,7	8,10	70,3	7,81	70,5

Spd Terminal board wired fan speed.
The number shown in brackets indicates the wired speed on the autotransformer.

Afl Air flow rate

Twl Water inlet temperature

G Water flow rate

Δpw Water side pressure drops

Tai Air inlet temperature

UR Relative humidity

QT Cooling capacity (total heat)

QS Cooling capacity (sensitive heat)

Q Heating capacity

Tau Air outlet temperature

Heating capacity additional coil KB4-4

Model					Tai: 10°		Tai: 15°		Tai: 20°		Tai: 22°	
Spd	Afl m³/h	Twl °C	G l/h	Δpw kPa	Q kW	Tau °C	Q kW	Tau °C	Q kW	Tau °C	Q kW	Tau °C
min (6)	281	60	140	3,7	2,04	31,8	1,84	34,6	1,63	37,4	1,55	38,5
med (4)	383	60	168	5,4	2,45	29,2	2,20	32,2	1,95	35,3	1,85	36,5
max (2)	483	60	196	8,4	2,86	27,8	2,57	31,0	2,28	34,2	2,17	35,5
min (6)	281	70	185	6,1	2,59	37,7	2,37	40,3	2,15	43,0	2,06	44,0
med (4)	383	70	219	8,8	3,07	34,1	2,81	37,0	2,55	40,0	2,45	41,2
max (2)	483	70	257	13,7	3,60	32,4	3,29	35,5	2,99	38,6	2,87	39,8
min (6)	281	80	228	8,9	3,11	43,2	2,88	45,7	2,65	48,3	2,56	49,4
med (4)	383	80	271	12,9	3,69	38,9	3,42	41,8	3,15	44,7	3,04	45,8
max (2)	483	80	317	20,0	4,32	36,9	4,01	39,9	3,69	42,9	3,57	44,2

Yardy-EV3 34 capacities

Cooling capacity

Model					Tai: 23°C / 47% UR				Tai: 25°C / 47% UR				Tai: 27°C / 47% UR				Tai: 29°C / 47% UR			
Spd	Afl m³/h	Twl °C	G l/h	Δpw kPa	QT kW	QS kW	Tau °C	UR %	QT kW	QS kW	Tau °C	UR %	QT kW	QS kW	Tau °C	UR %	QT kW	QS kW	Tau °C	UR %
min (6)	321	5	459	7,7	1,95	1,41	9,8	99,8	2,30	1,55	10,5	99,8	2,68	1,68	11,3	99,8	3,07	1,82	12,0	99,8
med (4)	434	5	576	11,5	2,45	1,78	10,7	99,8	2,90	1,95	11,5	99,8	3,37	2,12	12,3	99,8	3,86	2,29	13,2	99,8
max (2)	547	5	677	15,4	2,88	2,11	11,4	99,5	3,40	2,31	12,3	99,8	3,96	2,52	13,2	99,8	4,54	2,72	14,1	99,8
min (6)	321	6	426	6,8	1,80	1,35	10,4	99,8	2,12	1,46	11,3	99,8	2,48	1,60	12,1	99,8	2,87	1,73	12,8	99,8
med (4)	434	6	534	10,1	2,26	1,70	11,2	99,8	2,65	1,84	12,3	99,8	3,11	2,01	13,1	99,8	3,60	2,18	14,0	99,8
max (2)	547	6	627	13,4	2,66	2,02	11,9	99,8	3,11	2,18	13,0	99,6	3,65	2,38	13,9	99,8	4,22	2,58	14,9	99,8
min (6)	321	7	392	5,8	1,65	1,29	11,0	99,8	1,92	1,38	12,1	99,8	2,28	1,51	12,9	99,8	2,66	1,64	13,7	99,8
med (4)	434	7	489	8,6	2,09	1,65	11,6	99,8	2,40	1,73	13,0	99,8	2,85	1,90	13,9	99,8	3,33	2,06	14,7	99,8
max (2)	547	7	573	11,4	2,42	1,93	12,4	99,8	2,81	2,06	13,7	99,3	3,34	2,25	14,7	99,6	3,90	2,44	15,6	99,8
min (6)	321	8	355	4,9	1,51	1,25	11,3	99,8	1,78	1,34	12,5	99,8	2,07	1,42	13,7	99,8	2,44	1,55	14,5	99,8
med (4)	434	8	442	7,2	1,89	1,58	12,1	99,8	2,22	1,68	13,4	99,8	2,58	1,79	14,6	99,8	3,04	1,95	15,6	99,8
max (2)	547	8	517	9,5	2,22	1,87	12,7	99,8	2,60	1,99	14,1	99,8	3,01	2,11	15,4	99,2	3,55	2,30	16,4	99,5
min (6)	321	9	327	4,2	1,36	1,19	11,8	99,8	1,62	1,27	13,1	99,8	1,90	1,36	14,3	99,8	2,23	1,46	15,3	99,8
med (4)	434	9	406	6,1	1,70	1,52	12,5	99,8	2,01	1,60	14,0	99,8	2,36	1,71	15,2	99,8	2,76	1,84	16,3	99,8
max (2)	547	9	473	8,1	2,00	1,81	13,1	99,8	2,35	1,89	14,6	99,8	2,75	2,02	15,9	99,7	3,22	2,17	17,1	99,1
min (6)	321	10	297	3,5	1,21	1,13	12,4	99,8	1,46	1,22	13,6	99,8	1,73	1,30	14,9	99,8	2,04	1,40	15,9	99,8
med (4)	434	10	372	5,3	1,52	1,42	13,2	99,8	1,83	1,55	14,3	99,8	2,17	1,65	15,6	99,8	2,53	1,76	16,9	99,8
max (2)	547	10	434	6,9	1,78	1,68	13,8	99,8	2,14	1,83	15,0	99,8	2,53	1,95	16,3	99,8	2,95	2,07	17,6	99,5

Heating capacity

Model					Tai: 10°		Tai: 15°		Tai: 20°		Tai: 22°	
Spd	Afl m³/h	Twl °C	G l/h	Δpw kPa	Q kW	Tau °C	Q kW	Tau °C	Q kW	Tau °C	Q kW	Tau °C
min (6)	321	40	459	7,3	2,86	36,7	2,37	37,2	1,88	37,6	1,69	37,8
med (4)	434	40	577	11,0	3,61	34,9	2,99	35,7	2,38	36,4	2,14	36,8
max (2)	547	40	678	14,6	4,52	34,8	3,75	35,6	2,98	36,4	2,68	36,7
min (6)	321	45	426	6,4	3,33	41,1	2,83	41,5	2,35	41,9	2,15	42,1
med (4)	434	45	534	9,6	4,19	39,0	3,57	39,7	2,96	40,5	2,72	40,8
max (2)	547	45	627	12,7	5,25	38,8	4,47	39,5	3,71	40,3	3,40	40,7
min (6)	321	50	391	5,5	3,78	45,3	3,29	45,7	2,80	46,2	2,61	46,4
med (4)	434	50	489	8,2	4,76	42,9	4,14	43,6	3,53	44,4	3,29	44,7
max (2)	547	50	573	10,8	5,96	42,7	5,18	43,4	4,42	44,2	4,12	44,6
min (6)	321	60	304	3,5	4,61	53,0	4,12	53,5	3,64	54,0	3,45	54,2
med (4)	434	60	384	5,3	5,81	50,1	5,20	50,9	4,59	51,8	4,36	52,1
max (2)	547	60	486	8,0	7,34	50,3	6,57	51,1	5,81	51,9	5,51	52,2
min (6)	321	70	400	5,7	5,76	63,8	5,24	64,0	4,73	64,2	4,53	64,4
med (4)	434	70	502	8,6	7,20	59,8	6,56	60,4	5,93	61,0	5,68	61,3
max (2)	547	70	629	12,8	9,06	59,7	8,26	60,3	7,47	61,0	7,15	61,2
min (6)	321	80	490	8,2	6,82	73,8	6,29	73,8	5,77	73,9	5,56	74,0
med (4)	434	80	614	12,4	8,55	69,1	7,89	69,5	7,24	70,0	6,98	70,2
max (2)	547	80	769	18,3	10,76	69,0	9,93	69,5	9,11	70,0	8,79	70,2

Spd Terminal board wired fan speed.
The number shown in brackets indicates the wired speed on the autotransformer.

Afl Air flow rate

Twl Water inlet temperature

G Water flow rate

Δpw Water side pressure drops

Tai Air inlet temperature

UR Relative humidity

QT Cooling capacity (total heat)

QS Cooling capacity (sensitive heat)

Q Heating capacity

Tau Air outlet temperature

Heating capacity additional coil KB4-4

Model					Tai: 10°		Tai: 15°		Tai: 20°		Tai: 22°	
Spd	Afl m³/h	Twl °C	G l/h	Δpw kPa	Q kW	Tau °C	Q kW	Tau °C	Q kW	Tau °C	Q kW	Tau °C
min (2)	321	60	149	3,7	2,28	31,3	2,05	34,2	1,82	37,0	1,73	38,1
med (4)	434	60	181	5,2	2,76	29,1	2,48	32,1	2,20	35,2	2,09	36,4
max (6)	547	60	222	7,4	3,38	28,5	3,04	31,7	2,69	34,8	2,56	36,0
min (2)	321	70	196	3,9	2,75	35,7	2,51	38,5	2,28	41,3	2,19	42,4
med (4)	434	70	237	5,5	3,32	33,0	3,04	36,0	2,76	39,1	2,65	40,3
max (6)	547	70	290	7,8	4,07	32,3	3,72	35,4	3,38	38,5	3,24	39,8
min (2)	321	80	242	4,0	3,21	40,0	2,98	42,8	2,74	45,6	2,65	46,7
med (4)	434	80	293	5,6	3,89	36,9	3,60	39,9	3,32	42,9	3,21	44,2
max (6)	547	80	359	8,0	4,76	36,1	4,41	39,2	4,06	42,3	3,93	43,5

Yardy-EV3 40 capacities

Cooling capacity

Model					Tai: 23°C / 47% UR				Tai: 25°C / 47% UR				Tai: 27°C / 47% UR				Tai: 29°C / 47% UR			
Spd	Afl m³/h	Twl °C	G l/h	Δpw kPa	QT kW	QS kW	Tau °C	UR %	QT kW	QS kW	Tau °C	UR %	QT kW	QS kW	Tau °C	UR %	QT kW	QS kW	Tau °C	UR %
min (1)	365	5	428	9,9	1,82	1,47	10,9	89	2,15	1,61	11,8	90	2,49	1,74	12,7	90	2,86	1,88	13,6	91
med (3)	419	5	546	16,5	2,32	1,88	9,5	89	2,74	2,06	10,2	89	3,18	2,24	11,0	89	3,65	2,41	11,7	90
max (5)	587	5	704	25,4	2,99	2,44	10,5	86	3,53	2,67	11,4	87	4,10	2,90	12,2	87	4,71	3,12	13,1	88
min (1)	365	6	394	8,5	1,68	1,42	11,3	91	1,96	1,52	12,5	90	2,30	1,65	13,4	90	2,65	1,78	14,3	90
med (3)	419	6	502	14,2	2,15	1,83	9,9	90	2,49	1,95	11,0	89	2,93	2,12	11,8	89	3,38	2,29	12,6	89
max (5)	587	6	647	21,8	2,69	2,29	11,3	86	3,21	2,52	12,1	86	3,77	2,74	13,0	87	4,36	2,96	13,9	87
min (1)	365	7	359	7,2	1,58	1,40	11,5	93	1,76	1,43	13,3	89	2,09	1,56	14,2	90	2,44	1,69	15,1	90
med (3)	419	7	456	12,0	2,01	1,80	10,1	92	2,24	1,83	11,9	88	2,66	2,00	12,7	89	3,10	2,16	13,5	89
max (5)	587	7	587	18,3	2,59	2,33	11,1	90	2,88	2,36	12,9	86	3,42	2,58	13,8	86	3,99	2,79	14,7	87
min (1)	365	8	322	5,9	1,47	1,38	11,6	95	1,65	1,41	13,4	91	1,88	1,47	14,9	89	2,21	1,59	15,9	89
med (3)	419	8	409	9,8	1,87	1,77	10,3	94	2,09	1,80	12,1	90	2,39	1,88	13,6	88	2,81	2,04	14,4	88
max (5)	587	8	524	14,9	2,40	2,30	11,3	92	2,68	2,33	13,1	88	3,05	2,42	14,6	86	3,60	2,62	15,6	86
min (1)	365	9	298	5,1	1,36	1,36	11,9	97	1,53	1,38	13,7	93	1,77	1,45	15,1	91	2,01	1,51	16,6	89
med (3)	419	9	377	8,5	1,73	1,73	10,6	96	1,94	1,76	12,4	92	2,19	1,81	14,0	89	2,55	1,93	15,2	88
max (5)	587	9	481	12,8	2,22	2,22	11,6	93	2,49	2,27	13,4	89	2,80	2,33	15,1	87	3,25	2,48	16,3	86
min (1)	365	10	279	4,6	1,22	1,22	13,0	93	1,43	1,36	13,8	95	1,62	1,40	15,5	92	1,86	1,46	17,0	90
med (3)	419	10	353	7,5	1,55	1,55	11,9	91	1,81	1,74	12,5	94	2,05	1,78	14,2	90	2,36	1,87	15,6	89
max (5)	587	10	450	11,3	1,99	1,99	12,8	89	2,32	2,25	13,5	91	2,62	2,30	15,3	88	3,00	2,40	16,7	87

Heating capacity

Model					Tai: 10°		Tai: 15°		Tai: 20°		Tai: 22°	
Spd	Afl m³/h	Twl °C	G l/h	Δpw kPa	Q kW	Tau °C	Q kW	Tau °C	Q kW	Tau °C	Q kW	Tau °C
min (1)	365	40	428	9,2	3,01	34,7	2,50	35,5	1,99	36,4	1,79	36,7
med (3)	419	40	546	15,0	3,59	35,7	2,98	36,4	2,38	37,0	2,14	37,3
max (5)	587	40	704	23,3	4,57	33,3	3,79	34,4	3,02	35,5	2,72	35,9
min (1)	365	45	394	7,9	3,48	38,6	2,98	39,5	2,47	40,3	2,27	40,7
med (3)	419	45	502	12,9	4,16	39,8	3,55	40,4	2,95	41,1	2,71	41,4
max (5)	587	45	647	20,0	5,29	37,0	4,52	38,1	3,75	39,2	3,45	39,6
min (1)	365	50	359	6,7	3,94	42,3	3,43	43,2	2,93	44,1	2,73	44,4
med (3)	419	50	456	10,9	4,70	43,7	4,10	44,3	3,50	45,1	3,26	45,4
max (5)	587	50	587	16,8	5,97	40,5	5,21	41,6	4,45	42,7	4,15	43,2
min (1)	365	60	336	5,9	4,92	50,5	4,42	51,3	3,91	52,1	3,71	52,5
med (3)	419	60	394	8,4	5,78	51,4	5,18	52,1	4,59	52,9	4,36	53,2
max (5)	587	60	500	12,6	7,32	47,4	6,57	48,6	5,82	49,7	5,52	50,2
min (1)	365	70	447	10,0	6,30	61,8	5,75	62,3	5,21	62,8	4,99	63,0
med (3)	419	70	522	13,8	7,35	62,6	6,71	63,0	6,07	63,5	5,82	63,7
max (5)	587	70	652	20,3	9,17	56,9	8,37	57,8	7,59	58,8	7,27	59,2
min (1)	365	80	549	14,4	7,53	71,9	6,96	72,2	6,40	72,6	6,17	72,7
med (3)	419	80	641	20,1	8,78	72,9	8,12	73,1	7,47	73,5	7,21	73,6
max (5)	587	80	802	29,5	10,97	66,1	10,15	66,9	9,33	67,7	9,01	68,1

Spd Terminal board wired fan speed.
The number shown in brackets indicates the wired speed on the autotransformer.

Afl Air flow rate

Twl Water inlet temperature

G Water flow rate

Δpw Water side pressure drops

Tai Air inlet temperature

UR Relative humidity

QT Cooling capacity (total heat)

QS Cooling capacity (sensitive heat)

Q Heating capacity

Tau Air outlet temperature

Heating capacity additional coil KB4-4

Model					Tai: 10°		Tai: 15°		Tai: 20°		Tai: 22°	
Spd	Afl m³/h	Twl °C	G l/h	Δpw kPa	Q kW	Tau °C	Q kW	Tau °C	Q kW	Tau °C	Q kW	Tau °C
min (1)	365	60	185	1,7	2,70	32,2	2,43	35,0	2,16	37,7	2,05	38,8
med (3)	419	60	199	2,1	2,91	30,8	2,61	33,7	2,32	36,6	2,20	37,8
max (5)	587	60	213	3,4	3,11	25,9	2,80	29,3	2,48	32,7	2,36	34,1
min (1)	365	70	260	3,1	3,64	39,9	3,33	42,4	3,02	44,8	2,90	45,8
med (3)	419	70	278	3,8	3,90	37,9	3,57	40,6	3,24	43,2	3,11	44,3
max (5)	587	70	292	6,0	4,09	30,9	3,75	34,1	3,40	37,4	3,26	38,7
min (1)	365	80	326	4,7	4,45	46,6	4,12	48,9	3,80	51,2	3,67	52,1
med (3)	419	80	347	5,7	4,74	43,9	4,39	46,4	4,04	48,9	3,91	50,0
max (5)	587	80	363	8,9	4,94	35,2	4,58	38,4	4,22	41,6	4,08	42,8

Yardy-EV3 45 capacities

Cooling capacity

Model					Tai: 23°C / 47% UR				Tai: 25°C / 47% UR				Tai: 27°C / 47% UR				Tai: 29°C / 47% UR			
Spd	Afl m³/h	Twi °C	G l/h	Δpw kPa	QT kW	QS kW	Tau °C	UR %	QT kW	QS kW	Tau °C	UR %	QT kW	QS kW	Tau °C	UR %	QT kW	QS kW	Tau °C	UR %
min (1)	338	5	509	12,5	2,16	1,66	8,2	98	2,55	1,83	8,8	98	2,97	1,99	9,4	99	3,40	2,15	10,0	100
med (4)	474	5	678	17,5	2,88	2,14	9,4	96	3,40	2,35	10,1	96	3,95	2,56	10,8	97	4,53	2,76	11,5	98
max (6)	681	5	877	26,9	3,72	2,92	10,2	93	4,40	3,20	10,9	94	5,11	3,49	11,6	94	5,86	3,76	12,4	95
min (1)	338	6	472	10,9	1,96	1,56	9,1	98	2,34	1,73	9,7	98	2,75	1,88	10,3	99	3,18	2,04	10,9	99
med (4)	474	6	628	15,2	2,61	2,01	10,3	96	3,12	2,22	10,9	96	3,66	2,43	11,6	96	4,23	2,63	12,4	97
max (6)	681	6	811	23,4	3,37	2,74	10,9	93	4,03	3,03	11,7	93	4,73	3,31	12,4	94	5,47	3,58	13,2	95
min (1)	338	7	433	9,3	1,85	1,55	9,3	101	2,12	1,62	10,6	98	2,52	1,78	11,2	98	2,94	1,93	11,8	99
med (4)	474	7	575	13,0	2,40	1,94	10,7	97	2,82	2,09	11,8	96	3,35	2,29	12,5	96	3,91	2,49	13,3	96
max (6)	681	7	743	20,0	3,11	2,66	11,3	95	3,65	2,85	12,5	93	4,33	3,12	13,3	93	5,05	3,39	14,1	94
min (1)	338	8	392	7,8	1,70	1,50	9,7	103	1,95	1,56	11,1	99	2,28	1,67	12,1	98	2,69	1,82	12,8	98
med (4)	474	8	519	10,8	2,27	1,94	10,7	101	2,52	1,96	12,6	95	3,03	2,15	13,4	95	3,57	2,34	14,2	96
max (6)	681	8	671	16,7	2,90	2,61	11,5	97	3,25	2,66	13,3	93	3,91	2,93	14,1	93	4,61	3,19	14,9	93
min (1)	338	9	349	6,3	1,55	1,46	10,1	105	1,80	1,52	11,5	101	2,03	1,57	13,1	97	2,43	1,71	13,8	98
med (4)	474	9	461	8,7	2,07	1,89	11,0	103	2,34	1,92	12,9	97	2,69	2,01	14,3	95	3,21	2,19	15,1	95
max (6)	681	9	595	13,4	2,71	2,61	11,5	101	3,03	2,62	13,4	95	3,47	2,74	14,9	93	4,14	2,99	15,8	93
min (1)	338	10	331	5,8	1,40	1,40	10,6	106	1,66	1,48	11,9	103	1,93	1,55	13,2	100	2,21	1,62	14,6	97
med (4)	474	10	437	7,9	1,88	1,81	11,5	103	2,21	1,91	12,9	101	2,55	1,99	14,4	97	2,92	2,08	15,8	95
max (6)	681	10	545	11,5	2,44	2,44	12,3	101	2,84	2,61	13,5	98	3,18	2,64	15,4	94	3,71	2,81	16,6	93

Heating capacity

Model					Tai: 10°		Tai: 15°		Tai: 20°		Tai: 22°	
Spd	Afl m³/h	Twi °C	G l/h	Δpw kPa	Q kW	Tau °C	Q kW	Tau °C	Q kW	Tau °C	Q kW	Tau °C
min (1)	338	40	509	11,6	3,15	38,0	2,61	38,2	2,08	38,4	1,87	38,6
med (4)	474	40	678	16,2	4,21	36,6	3,49	37,1	2,78	37,6	2,49	37,8
max (6)	681	40	877	24,8	5,64	34,8	4,68	35,6	3,73	36,4	3,35	36,8
min (1)	338	45	472	10,1	3,66	42,5	3,12	42,7	2,58	42,9	2,37	43,1
med (4)	474	45	628	14,1	4,88	40,9	4,16	41,3	3,45	41,8	3,17	42,1
max (6)	681	45	811	21,6	6,54	38,8	5,58	39,6	4,63	40,4	4,25	40,7
min (1)	338	50	433	8,6	4,15	46,8	3,61	47,1	3,08	47,3	2,87	47,5
med (4)	474	50	575	12,0	5,53	45,0	4,82	45,5	4,11	46,0	3,83	46,2
max (6)	681	50	743	18,4	7,41	42,6	6,46	43,4	5,51	44,3	5,13	44,6
min (1)	338	60	344	5,7	5,05	54,9	4,53	55,2	4,00	55,5	3,79	55,7
med (4)	474	60	460	8,0	6,76	52,8	6,05	53,3	5,36	53,9	5,08	54,1
max (6)	681	60	619	13,2	9,08	50,0	8,14	50,8	7,20	51,7	6,83	52,1
min (1)	338	70	447	9,1	6,31	66,0	5,75	66,0	5,20	66,1	4,98	66,2
med (4)	474	70	593	12,7	8,37	63,0	7,63	63,3	6,90	63,7	6,62	63,9
max (6)	681	70	799	21,0	11,26	59,6	10,28	60,3	9,30	61,0	8,92	61,3
min (1)	338	80	546	13,1	7,50	76,6	6,92	76,4	6,35	76,4	6,13	76,4
med (4)	474	80	726	18,2	9,96	73,0	9,20	73,2	8,45	73,5	8,15	73,6
max (6)	681	80	979	30,3	13,42	69,1	12,41	69,7	11,40	70,2	11,00	70,5

- Spd** Terminal board wired fan speed.
The number shown in brackets indicates the wired speed on the autotransformer.
- Afl** Air flow rate
- Twi** Water inlet temperature
- G** Water flow rate
- Δpw** Water side pressure drops
- Tai** Air inlet temperature
- UR** Relative humidity
- QT** Cooling capacity (total heat)
- QS** Cooling capacity (sensitive heat)
- Q** Heating capacity
- Tau** Air outlet temperature

Heating capacity additional coil KB4-4

Model					Tai: 10°		Tai: 15°		Tai: 20°		Tai: 22°	
Spd	Afl m³/h	Twi °C	G l/h	Δpw kPa	Q kW	Tau °C	Q kW	Tau °C	Q kW	Tau °C	Q kW	Tau °C
min (1)	338	60	156	0,9	2,27	30,2	2,04	33,1	1,81	36,1	1,72	37,3
med (4)	474	60	210	1,5	3,06	29,4	2,75	32,4	2,44	35,4	2,32	36,7
max (6)	681	60	249	2,3	3,63	26,0	3,26	29,4	2,89	32,7	2,75	34,1
min (1)	338	70	218	1,7	3,06	37,2	2,80	39,8	2,54	42,5	2,44	43,6
med (4)	474	70	292	2,8	4,09	35,9	3,75	38,7	3,40	41,5	3,26	42,6
max (6)	681	70	336	3,9	4,71	30,7	4,31	34,0	3,91	37,2	3,75	38,5
min (1)	338	80	276	2,6	3,76	43,4	3,48	45,9	3,21	48,5	3,10	49,5
med (4)	474	80	362	4,1	4,94	41,3	4,58	44,0	4,22	46,7	4,07	47,8
max (6)	681	80	417	5,8	5,68	35,0	5,27	38,2	4,85	41,4	4,69	42,7

Yardy-EV3 48 capacities

Cooling capacity

Model					Tai: 23°C / 47% UR				Tai: 25°C / 47% UR				Tai: 27°C / 47% UR				Tai: 29°C / 47% UR			
Spd	Afl m³/h	Twl °C	G l/h	Δpw kPa	QT kW	QS kW	Tau °C	UR %	QT kW	QS kW	Tau °C	UR %	QT kW	QS kW	Tau °C	UR %	QT kW	QS kW	Tau °C	UR %
min (1)	338	5	583	12,1	2,46	1,74	7,5	99,8	2,91	1,92	8,0	99,8	3,38	2,09	8,5	99,8	3,87	2,25	9,0	99,8
med (4)	474	5	732	18,2	3,10	2,21	9,0	99,8	3,66	2,43	9,6	99,8	4,25	2,65	10,2	99,8	4,87	2,86	10,9	99,8
max (6)	681	5	984	27,8	4,16	3,01	9,7	99,8	4,91	3,31	10,4	99,8	5,70	3,60	11,1	99,8	6,54	3,89	11,9	99,8
min (1)	338	6	537	10,4	2,23	1,64	8,5	99,8	2,67	1,81	8,9	99,8	3,13	1,98	9,4	99,8	3,62	2,15	10,0	99,8
med (4)	474	6	675	15,7	2,80	2,08	9,8	99,8	3,36	2,30	10,5	99,8	3,94	2,51	11,1	99,8	4,55	2,72	11,8	99,8
max (6)	681	6	905	23,9	3,76	2,83	10,5	99,8	4,50	3,12	11,2	99,8	5,28	3,41	12,0	99,8	6,11	3,70	12,7	99,8
min (1)	338	7	494	9,0	2,08	1,59	8,9	99,8	2,43	1,70	9,9	99,8	2,88	1,87	10,4	99,8	3,36	2,03	10,9	99,8
med (4)	474	7	619	13,5	2,62	2,03	10,2	99,8	3,04	2,16	11,3	99,8	3,61	2,37	12,0	99,8	4,22	2,58	12,7	99,8
max (6)	681	7	833	20,6	3,45	2,71	11,0	99,8	4,08	2,94	12,1	99,8	4,85	3,22	12,8	99,8	5,66	3,50	13,6	99,8
min (1)	338	8	449	7,6	1,90	1,53	9,4	99,8	2,23	1,63	10,5	99,8	2,62	1,76	11,4	99,8	3,09	1,92	11,9	99,8
med (4)	474	8	561	11,3	2,38	1,95	10,7	99,8	2,78	2,07	11,9	99,8	3,27	2,23	12,9	99,8	3,86	2,43	13,6	99,8
max (6)	681	8	751	17,1	3,21	2,67	11,2	99,8	3,64	2,75	12,9	99,5	4,39	3,03	13,7	99,8	5,18	3,30	14,5	99,8
min (1)	338	9	414	6,5	1,71	1,46	10,0	99,8	2,02	1,55	11,2	99,8	2,41	1,69	12,0	99,8	2,82	1,81	12,9	99,8
med (4)	474	9	504	9,3	2,14	1,88	11,1	99,8	2,55	1,99	12,4	99,8	2,92	2,09	13,8	99,8	3,49	2,28	14,5	99,8
max (6)	681	9	670	13,9	2,90	2,58	11,6	99,8	3,36	2,67	13,2	99,8	3,90	2,83	14,5	99,4	4,66	3,09	15,4	99,7
min (1)	338	10	377	5,5	1,51	1,40	10,5	99,8	1,84	1,49	11,8	99,8	2,19	1,61	12,7	99,8	2,54	1,71	13,9	99,8
med (4)	474	10	469	8,2	1,91	1,79	11,7	99,8	2,31	1,91	12,9	99,8	2,73	2,03	14,1	99,8	3,16	2,15	15,4	99,8
max (6)	681	10	627	12,4	2,59	2,45	12,2	99,8	3,09	2,58	13,6	99,8	3,65	2,77	14,8	99,8	4,21	2,92	16,1	99,3

Heating capacity

Model					Tai: 10°		Tai: 15°		Tai: 20°		Tai: 22°	
Spd	Afl m³/h	Twl °C	G l/h	Δpw kPa	Q kW	Tau °C	Q kW	Tau °C	Q kW	Tau °C	Q kW	Tau °C
min (1)	338	40	579	8,8	3,30	39,3	2,73	39,2	2,17	39,3	1,95	39,3
med (4)	474	40	727	12,9	4,42	38,0	3,66	38,1	2,91	38,4	2,61	38,5
max (6)	681	40	977	21,4	5,92	36,1	4,90	36,6	3,90	37,2	3,50	37,4
min (1)	338	45	537	7,7	3,84	44,1	3,27	44,0	2,70	44,0	2,48	44,0
med (4)	474	45	675	11,3	5,13	42,5	4,37	42,7	3,62	42,9	3,32	43,0
max (6)	681	45	906	18,7	6,87	40,3	5,86	40,8	4,85	41,4	4,45	41,6
min (1)	338	50	494	6,6	4,37	48,8	3,79	48,7	3,23	48,7	3,01	48,7
med (4)	474	50	620	9,7	5,83	46,9	5,07	47,1	4,32	47,3	4,02	47,5
max (6)	681	50	831	16,0	7,81	44,4	6,79	44,9	5,79	45,5	5,40	45,8
min (1)	338	60	350	3,5	5,30	57,0	4,74	57,0	4,18	57,1	3,96	57,2
med (4)	474	60	473	6,0	7,14	55,2	6,39	55,4	5,65	55,7	5,35	55,9
max (6)	681	60	633	9,8	9,55	52,1	8,55	52,6	7,56	53,3	7,16	53,6
min (1)	338	70	455	5,7	6,54	68,0	5,95	67,8	5,37	67,7	5,14	67,7
med (4)	474	70	610	9,4	8,77	65,5	7,99	65,6	7,22	65,7	6,91	65,8
max (6)	681	70	812	15,3	11,74	61,7	10,70	62,1	9,67	62,6	9,26	62,8
min (1)	338	80	555	8,1	7,73	78,6	7,13	78,3	6,53	78,0	6,30	77,9
med (4)	474	80	743	13,4	10,38	75,7	9,58	75,6	8,78	75,6	8,47	75,6
max (6)	681	80	986	21,8	13,91	71,3	12,84	71,5	11,78	71,9	11,36	72,0

- Spd** Terminal board wired fan speed.
The number shown in brackets indicates the wired speed on the autotransformer.
- Afl** Air flow rate
- Twl** Water inlet temperature
- G** Water flow rate
- Δpw** Water side pressure drops
- Tai** Air inlet temperature
- UR** Relative humidity
- QT** Cooling capacity (total heat)
- QS** Cooling capacity (sensitive heat)
- Q** Heating capacity
- Tau** Air outlet temperature

Heating capacity additional coil KB4-4

Model					Tai: 10°		Tai: 15°		Tai: 20°		Tai: 22°	
Spd	Afl m³/h	Twl °C	G l/h	Δpw kPa	Q kW	Tau °C	Q kW	Tau °C	Q kW	Tau °C	Q kW	Tau °C
min (1)	338	60	148	1,6	2,38	31,1	2,14	34,0	1,90	36,8	1,80	38,0
med (4)	474	60	199	2,0	3,21	30,3	2,89	33,3	2,56	36,2	2,43	37,4
max (6)	681	60	236	3,4	3,70	26,3	3,33	29,7	2,95	33,0	2,80	34,3
min (1)	338	70	207	1,8	2,90	35,8	2,66	38,6	2,41	41,4	2,31	42,5
med (4)	474	70	277	2,2	3,89	34,6	3,56	37,5	3,23	40,4	3,10	41,6
max (6)	681	70	319	3,7	4,47	29,7	4,09	33,0	3,71	36,3	3,56	37,7
min (1)	338	80	261	1,9	3,40	40,2	3,15	42,9	2,90	45,7	2,80	46,9
med (4)	474	80	344	2,3	4,55	38,8	4,22	41,7	3,89	44,6	3,75	45,8
max (6)	681	80	396	3,8	5,23	33,0	4,85	36,3	4,47	39,7	4,31	41,0

Yardy-EV3 55 capacities

Cooling capacity

Model					Tai: 23°C / 47% UR				Tai: 25°C / 47% UR				Tai: 27°C / 47% UR				Tai: 29°C / 47% UR			
Spd	Afl m³/h	Twi °C	G l/h	Δpw kPa	QT kW	QS kW	Tau °C	UR %	QT kW	QS kW	Tau °C	UR %	QT kW	QS kW	Tau °C	UR %	QT kW	QS kW	Tau °C	UR %
min (2)	537	5	698	12,9	2,96	2,44	9,3	89	3,50	2,68	10,0	89	4,06	2,90	10,8	90	4,66	3,13	11,5	90
med (4)	802	5	924	22,0	3,93	3,24	10,9	86	4,64	3,55	11,7	87	5,39	3,85	12,6	87	6,18	4,15	13,5	88
max (6)	1077	5	1130	27,2	4,80	4,22	11,2	84	5,67	4,62	12,1	85	6,59	5,02	13,0	85	7,56	5,41	13,9	86
min (2)	537	6	641	11,1	2,74	2,37	9,8	90	3,18	2,53	10,9	89	3,74	2,75	11,6	89	4,32	2,97	12,4	90
med (4)	802	6	849	18,9	3,52	3,05	11,6	86	4,21	3,35	12,5	86	4,95	3,65	13,4	87	5,72	3,93	14,3	87
max (6)	1077	6	1039	23,4	4,31	3,96	12,0	84	5,16	4,36	12,9	84	6,05	4,75	13,8	85	7,00	5,13	14,7	85
min (2)	537	7	582	9,3	2,60	2,37	9,7	94	2,86	2,37	11,7	89	3,39	2,59	12,5	89	3,96	2,80	13,3	89
med (4)	802	7	769	15,8	3,39	3,10	11,4	90	3,78	3,14	13,2	86	4,48	3,43	14,2	86	5,23	3,71	15,1	87
max (6)	1077	7	942	19,6	4,07	3,95	12,0	87	4,63	4,09	13,6	84	5,49	4,47	14,5	84	6,41	4,84	15,5	85
min (2)	537	8	520	7,6	2,39	2,33	10,0	96	2,66	2,33	12,0	91	3,03	2,43	13,4	89	3,58	2,64	14,3	89
med (4)	802	8	685	12,8	3,14	3,05	11,6	92	3,51	3,09	13,4	88	3,99	3,21	15,0	86	4,71	3,48	16,0	86
max (6)	1077	8	840	15,9	3,88	3,88	12,2	90	4,20	3,93	14,0	85	4,90	4,18	15,3	84	5,77	4,54	16,4	84
min (2)	537	9	494	6,9	2,17	2,17	10,9	97	2,52	2,33	12,0	93	2,87	2,41	13,5	91	3,27	2,51	15,0	89
med (4)	802	9	628	11,0	2,85	2,85	12,3	93	3,24	3,01	13,7	89	3,65	3,09	15,4	87	4,24	3,28	16,7	86
max (6)	1077	9	779	13,9	3,61	3,61	12,9	92	4,02	3,97	13,9	88	4,50	4,05	15,7	85	5,23	4,29	17,0	84
min (2)	537	10	456	6,0	1,97	1,97	12,0	91	2,30	2,25	12,4	94	2,65	2,35	13,9	92	3,01	2,42	15,5	89
med (4)	802	10	586	9,7	2,59	2,59	13,3	89	3,02	2,97	13,9	91	3,41	3,04	15,6	88	3,91	3,18	17,1	87
max (6)	1077	10	723	12,2	3,22	3,22	14,0	87	3,70	3,70	14,7	88	4,21	3,99	15,9	86	4,80	4,15	17,4	85

Heating capacity

Model					Tai: 10°		Tai: 15°		Tai: 20°		Tai: 22°	
Spd	Afl m³/h	Twi °C	G l/h	Δpw kPa	Q kW	Tau °C	Q kW	Tau °C	Q kW	Tau °C	Q kW	Tau °C
min (2)	537	40	698	11,8	4,33	34,2	3,59	35,1	2,86	36,0	2,57	36,4
med (4)	802	40	924	20,3	5,89	32,0	4,89	33,3	3,90	34,6	3,50	35,1
max (6)	1077	40	1130	25,0	7,35	30,5	6,11	32,0	4,87	33,6	4,38	34,2
min (2)	537	45	641	10,1	5,01	38,0	4,28	38,9	3,55	39,9	3,26	40,2
med (4)	802	45	849	17,4	6,81	35,5	5,82	36,8	4,83	38,1	4,44	38,6
max (6)	1077	45	1039	21,5	8,51	33,7	7,27	35,3	6,04	36,8	5,55	37,5
min (2)	537	50	582	8,5	5,67	41,7	4,94	42,6	4,22	43,6	3,93	44,0
med (4)	802	50	769	14,6	7,71	38,8	6,72	40,1	5,74	41,5	5,35	42,0
max (6)	1077	50	942	18,0	9,62	36,8	8,39	38,4	7,17	40,0	6,68	40,6
min (2)	537	60	469	5,8	6,88	48,4	6,16	49,4	5,46	50,5	5,18	50,9
med (4)	802	60	643	10,6	9,42	45,2	8,45	46,6	7,49	48,0	7,11	48,6
max (6)	1077	60	806	13,6	11,80	42,9	10,58	44,5	9,38	46,1	8,90	46,8
min (2)	537	70	622	9,6	8,75	58,9	7,99	59,6	7,23	60,4	6,93	60,7
med (4)	802	70	837	17,0	11,77	54,0	10,75	55,2	9,74	56,4	9,34	56,9
max (6)	1077	70	1049	21,8	14,75	51,1	13,48	52,5	12,21	54,0	11,71	54,6
min (2)	537	80	763	13,9	10,45	68,4	9,67	69,0	8,89	69,6	8,58	69,9
med (4)	802	80	1029	24,7	14,08	62,7	13,02	63,7	11,98	64,8	11,56	65,3
max (6)	1077	80	1292	31,8	17,66	59,2	16,34	60,5	15,04	61,9	14,52	62,4

- Spd** Terminal board wired fan speed.
The number shown in brackets indicates the wired speed on the autotransformer.
- Afl** Air flow rate
- Twi** Water inlet temperature
- G** Water flow rate
- Δpw** Water side pressure drops
- Tai** Air inlet temperature
- UR** Relative humidity
- QT** Cooling capacity (total heat)
- QS** Cooling capacity (sensitive heat)
- Q** Heating capacity
- Tau** Air outlet temperature

Heating capacity additional coil KB4-4

Model					Tai: 10°		Tai: 15°		Tai: 20°		Tai: 22°	
Spd	Afl m³/h	Twi °C	G l/h	Δpw kPa	Q kW	Tau °C	Q kW	Tau °C	Q kW	Tau °C	Q kW	Tau °C
min (2)	537	60	259	3,7	3,78	31,1	3,40	34,0	3,01	36,8	2,86	38,0
med (4)	802	60	336	5,0	4,91	28,4	4,41	31,5	3,91	34,6	3,72	35,9
max (6)	1077	60	398	6,9	5,81	26,2	5,22	29,5	4,63	32,9	4,40	34,3
min (2)	537	70	345	6,2	4,84	37,1	4,43	39,8	4,02	42,5	3,86	43,5
med (4)	802	70	441	8,2	6,18	33,1	5,65	36,1	5,13	39,2	4,92	40,4
max (6)	1077	70	522	11,2	7,32	30,4	6,70	33,7	6,08	36,9	5,83	38,2
min (2)	537	80	427	9,1	5,82	42,5	5,39	45,1	4,97	47,7	4,80	48,8
med (4)	802	80	545	12,0	7,43	37,8	6,88	40,8	6,34	43,7	6,13	44,9
max (6)	1077	80	646	16,5	8,81	34,5	8,16	37,7	7,52	41,0	7,27	42,2

Yardy-EV3 58 capacities

Cooling capacity

Model					Tai: 23°C / 47% UR				Tai: 25°C / 47% UR				Tai: 27°C / 47% UR				Tai: 29°C / 47% UR			
Spd	Afl m³/h	Twi °C	G l/h	Δpw kPa	QT kW	QS kW	Tau °C	UR %	QT kW	QS kW	Tau °C	UR %	QT kW	QS kW	Tau °C	UR %	QT kW	QS kW	Tau °C	UR %
min (2)	537	5	737	7,3	3,13	2,30	10,1	96,8	3,70	2,52	10,9	97,2	4,31	2,74	11,7	97,6	4,94	2,95	12,5	98,2
med (4)	802	5	995	10,3	4,23	3,17	11,1	94,1	5,00	3,47	12,0	94,5	5,81	3,77	12,9	95,	6,67	4,06	13,8	95,6
max (6)	1077	5	1235	15,2	5,25	4,00	11,9	92,1	6,21	4,39	12,8	92,5	7,22	4,77	13,7	93,	8,28	5,14	14,7	93,6
min (2)	537	6	681	6,4	2,94	2,25	10,4	99,1	3,38	2,38	11,7	96,8	3,97	2,59	12,5	97,2	4,59	2,80	13,3	97,7
med (4)	802	6	916	8,9	3,89	3,05	11,6	95,1	4,55	3,27	12,8	94,2	5,34	3,57	13,7	94,5	6,17	3,85	14,6	95,
max (6)	1077	6	1137	13,1	4,84	3,86	12,3	93,3	5,64	4,13	13,5	92,2	6,63	4,51	14,5	92,6	7,66	4,87	15,4	93,1
min (2)	537	7	622	5,4	2,70	2,18	10,8	99,8	3,11	2,29	12,2	97,7	3,62	2,45	13,3	96,8	4,22	2,65	14,2	97,2
med (4)	802	7	834	7,5	3,60	2,96	11,9	96,7	4,09	3,08	13,5	93,9	4,86	3,36	14,4	94,1	5,67	3,64	15,4	94,5
max (6)	1077	7	1032	11,0	4,47	3,75	12,6	95,1	5,06	3,88	14,2	91,9	6,02	4,24	15,2	92,2	7,02	4,60	16,2	92,5
min (2)	537	8	562	4,5	2,45	2,09	11,3	99,8	2,86	2,21	12,6	99,2	3,32	2,35	13,9	97,5	3,84	2,50	15,0	96,7
med (4)	802	8	745	6,1	3,28	2,87	12,3	98,5	3,82	3,03	13,7	96,4	4,34	3,15	15,2	93,8	5,11	3,42	16,2	94,
max (6)	1077	8	921	9,0	4,09	3,65	12,8	96,9	4,67	3,77	14,5	93,5	5,37	3,97	15,9	91,8	6,33	4,31	17,0	92,1
min (2)	537	9	524	4,0	2,23	2,03	11,7	99,8	2,61	2,11	13,2	99,1	3,05	2,25	14,4	97,9	3,51	2,37	15,7	96,4
med (4)	802	9	696	5,4	3,00	2,79	12,6	99,8	3,50	2,93	14,0	97,5	4,05	3,08	15,5	95,2	4,65	3,24	16,9	93,7
max (6)	1077	9	844	7,7	3,72	3,52	13,2	98,	4,27	3,64	14,9	94,3	4,97	3,87	16,2	93,2	5,71	4,06	17,7	91,7
min (2)	537	10	480	3,4	2,00	1,86	12,6	98,6	2,37	2,05	13,5	99,8	2,79	2,17	14,9	99,	3,26	2,31	16,1	97,7
med (4)	802	10	633	4,6	2,67	2,52	13,6	94,8	3,15	2,79	14,6	97,4	3,68	2,96	15,9	95,9	4,29	3,14	17,3	94,8
max (6)	1077	10	782	6,7	3,32	3,20	14,1	93,1	3,91	3,54	15,1	95,7	4,51	3,69	16,7	93,1	5,22	3,90	18,1	92,1

Heating capacity

Model					Tai: 10°		Tai: 15°		Tai: 20°		Tai: 22°	
Spd	Afl m³/h	Twi °C	G l/h	Δpw kPa	Q kW	Tau °C	Q kW	Tau °C	Q kW	Tau °C	Q kW	Tau °C
min (2)	537	40	738	6,9	5,98	43,4	4,96	42,7	3,95	42,0	3,54	41,8
med (4)	802	40	996	7,2	7,04	36,3	5,84	36,8	4,65	37,4	4,18	37,6
max (6)	1077	40	1236	8,7	8,52	33,7	7,07	34,7	5,64	35,7	5,06	36,1
min (2)	537	45	681	6,0	6,94	48,8	5,92	48,1	4,91	47,4	4,51	47,2
med (4)	802	45	916	6,2	8,17	40,6	6,97	41,1	5,78	41,6	5,31	41,9
max (6)	1077	45	1137	7,5	9,89	37,5	8,44	38,5	7,00	39,5	6,43	39,9
min (2)	537	50	622	5,1	7,88	54,0	6,86	53,3	5,85	52,7	5,45	52,4
med (4)	802	50	834	5,2	9,27	44,7	8,08	45,2	6,89	45,8	6,42	46,0
max (6)	1077	50	1032	6,3	11,22	41,2	9,77	42,2	8,34	43,2	7,77	43,7
min (2)	537	60	620	5,1	9,94	65,6	8,90	64,7	7,87	64,0	7,46	63,7
med (4)	802	60	737	4,2	11,49	53,0	10,29	53,5	9,11	54,1	8,63	54,3
max (6)	1077	60	898	4,9	13,86	48,6	12,42	49,6	11,00	50,6	10,43	51,1
min (2)	537	70	826	8,5	12,23	78,3	11,14	77,3	10,07	76,3	9,65	75,9
med (4)	802	70	965	6,8	14,17	63,0	12,92	63,3	11,69	63,7	11,20	63,9
max (6)	1077	70	1156	7,7	17,10	57,6	15,61	58,5	14,13	59,4	13,54	59,7
min (2)	537	80	1014	12,3	14,46	90,8	13,34	89,5	12,25	88,4	11,81	88,0
med (4)	802	80	1176	9,7	16,79	72,8	15,51	73,0	14,25	73,3	13,75	73,4
max (6)	1077	80	1404	11,0	20,30	66,5	18,76	67,3	17,24	68,0	16,64	68,3

Spd Terminal board wired fan speed.
The number shown in brackets indicates the wired speed on the autotransformer.

Afl Air flow rate

Twi Water inlet temperature

G Water flow rate

Δpw Water side pressure drops

Tai Air inlet temperature

UR Relative humidity

QT Cooling capacity (total heat)

QS Cooling capacity (sensitive heat)

Q Heating capacity

Tau Air outlet temperature

Heating capacity additional coil KB4-4

Model					Tai: 10°		Tai: 15°		Tai: 20°		Tai: 22°	
Spd	Afl m³/h	Twi °C	G l/h	Δpw kPa	Q kW	Tau °C	Q kW	Tau °C	Q kW	Tau °C	Q kW	Tau °C
min (2)	537	60	267	3,7	4,15	33,2	3,73	35,8	3,31	38,5	3,14	39,5
med (4)	802	60	340	4,4	5,19	29,4	4,66	32,4	4,14	35,5	3,93	36,7
max (6)	1077	60	371	6,3	5,65	25,7	5,08	29,2	4,51	32,6	4,28	33,9
min (2)	537	70	356	3,9	5,00	37,9	4,57	40,6	4,15	43,2	3,98	44,2
med (4)	802	70	446	4,6	6,25	33,4	5,72	36,4	5,19	39,4	4,98	40,6
max (6)	1077	70	486	6,7	6,81	29,0	6,24	32,4	5,66	35,8	5,43	37,1
min (2)	537	80	440	4,0	5,85	42,7	5,42	45,3	4,99	47,9	4,82	48,9
med (4)	802	80	551	4,8	7,31	37,3	6,77	40,3	6,24	43,3	6,03	44,6
max (6)	1077	80	602	6,9	7,97	32,2	7,39	35,6	6,81	39,0	6,58	40,3

Yardy-EV3 60 capacities

Cooling capacity

Model					Tai: 23°C / 47% UR				Tai: 25°C / 47% UR				Tai: 27°C / 47% UR				Tai: 29°C / 47% UR			
Spd	Afl m³/h	Twl °C	G l/h	Δpw kPa	QT kW	QS kW	Tau °C	UR %	QT kW	QS kW	Tau °C	UR %	QT kW	QS kW	Tau °C	UR %	QT kW	QS kW	Tau °C	UR %
min (6)	672	5	882	7,8	3,75	2,99	9,6	95	4,43	3,28	10,4	96	5,14	3,56	11,1	96	5,90	3,83	11,9	97
med (4)	948	5	1139	9,6	4,84	3,93	10,6	93	5,72	4,30	11,4	93	6,64	4,67	12,2	94	7,62	5,03	13,1	94
max (2)	1235	5	1375	13,1	5,84	4,89	11,1	91	6,90	5,36	12,0	92	8,01	5,82	12,9	92	9,19	6,26	13,8	93
min (6)	672	6	812	6,7	3,45	2,88	10,2	96	4,04	3,10	11,2	95	4,74	3,37	11,9	96	5,47	3,64	12,7	96
med (4)	948	6	1047	8,2	4,46	3,78	11,0	94	5,20	4,06	12,2	93	6,11	4,42	13,0	93	7,06	4,77	13,9	94
max (2)	1235	6	1264	11,3	5,25	4,59	11,8	91	6,28	5,05	12,7	91	7,37	5,50	13,6	92	8,52	5,94	14,6	92
min (6)	672	7	740	5,7	3,23	2,84	10,3	99	3,70	2,97	11,7	96	4,31	3,18	12,8	95	5,03	3,44	13,6	96
med (4)	948	7	951	6,9	4,12	3,67	11,4	96	4,67	3,81	12,9	93	5,54	4,16	13,8	93	6,47	4,51	14,7	93
max (2)	1235	7	1148	9,5	4,99	4,60	11,8	94	5,64	4,74	13,5	91	6,69	5,18	14,4	91	7,81	5,61	15,4	92
min (6)	672	8	663	4,7	2,91	2,71	10,9	100	3,40	2,87	12,2	98	3,87	2,99	13,7	95	4,56	3,24	14,5	95
med (4)	948	8	850	5,6	3,76	3,56	11,7	98	4,30	3,69	13,3	94	4,95	3,90	14,7	93	5,84	4,23	15,6	93
max (2)	1235	8	1026	7,8	4,57	4,48	12,1	96	5,20	4,62	13,8	93	5,98	4,85	15,2	91	7,05	5,27	16,2	91
min (6)	672	9	620	4,2	2,66	2,63	11,3	101	3,11	2,77	12,6	99	3,61	2,91	14,0	96	4,16	3,07	15,3	95
med (4)	948	9	795	5,0	3,44	3,44	12,1	99	3,97	3,58	13,7	95	4,63	3,81	14,9	94	5,32	4,01	16,3	93
max (2)	1235	9	934	6,6	4,16	4,16	12,9	97	4,76	4,45	14,2	94	5,44	4,64	15,7	91	6,34	4,96	17,0	91
min (6)	672	10	565	3,5	2,37	2,37	12,4	96	2,81	2,65	13,2	99	3,29	2,81	14,5	97	3,84	2,98	15,7	96
med (4)	948	10	722	4,2	3,05	3,05	13,3	94	3,60	3,47	14,0	96	4,21	3,67	15,4	95	4,83	3,83	16,9	93
max (2)	1235	10	859	5,6	3,69	3,69	14,0	92	4,35	4,33	14,5	95	5,00	4,50	16,1	92	5,79	4,75	17,5	91

Heating capacity

Model					Tai: 10°		Tai: 15°		Tai: 20°		Tai: 22°	
Spd	Afl m³/h	Twl °C	G l/h	Δpw kPa	Q kW	Tau °C	Q kW	Tau °C	Q kW	Tau °C	Q kW	Tau °C
min (6)	672	40	882	7,3	5,67	35,3	4,70	36,0	3,74	36,7	3,36	37,0
med (4)	948	40	1139	8,7	7,44	33,6	6,18	34,5	4,92	35,6	4,42	36,0
max (2)	1235	40	1375	12,2	9,01	31,9	7,48	33,2	5,96	34,5	5,35	35,0
min (6)	672	45	812	6,3	6,56	39,3	5,60	40,0	4,65	40,7	4,27	41,0
med (4)	948	45	1047	7,5	8,62	37,3	7,36	38,3	6,11	39,3	5,61	39,7
max (2)	1235	45	1264	10,5	10,43	35,3	8,90	36,6	7,39	38,0	6,79	38,5
min (6)	672	50	740	5,3	7,43	43,2	6,47	43,9	5,52	44,6	5,14	45,0
med (4)	948	50	951	6,3	9,75	40,8	8,49	41,9	7,25	42,9	6,76	43,4
max (2)	1235	50	1148	8,8	11,80	38,7	10,28	40,0	8,78	41,3	8,18	41,9
min (6)	672	60	619	3,8	9,08	50,5	8,14	51,3	7,20	52,1	6,83	52,5
med (4)	948	60	817	4,8	11,98	47,9	10,74	49,0	9,51	50,1	9,02	50,5
max (2)	1235	60	989	6,7	14,49	45,2	13,00	46,6	11,51	48,0	10,92	48,5
min (6)	672	70	820	6,4	11,56	61,6	10,55	62,1	9,54	62,6	9,14	62,8
med (4)	948	70	1065	7,7	15,00	57,5	13,69	58,3	12,40	59,2	11,88	59,6
max (2)	1235	70	1284	10,8	18,08	53,9	16,51	55,1	14,95	56,3	14,33	56,8
min (6)	672	80	1005	9,2	13,79	71,6	12,74	71,9	11,70	72,2	11,29	72,4
med (4)	948	80	1308	11,2	17,92	66,7	16,57	67,4	15,23	68,2	14,69	68,5
max (2)	1235	80	1579	15,6	21,62	62,5	19,99	63,6	18,38	64,7	17,74	65,1

Spd Terminal board wired fan speed.
The number shown in brackets indicates the wired speed on the autotransformer.

Afl Air flow rate

Twl Water inlet temperature

G Water flow rate

Δpw Water side pressure drops

Tai Air inlet temperature

UR Relative humidity

QT Cooling capacity (total heat)

QS Cooling capacity (sensitive heat)

Q Heating capacity

Tau Air outlet temperature

Heating capacity additional coil KB4-4

Model					Tai: 10°		Tai: 15°		Tai: 20°		Tai: 22°	
Spd	Afl m³/h	Twl °C	G l/h	Δpw kPa	Q kW	Tau °C	Q kW	Tau °C	Q kW	Tau °C	Q kW	Tau °C
min (6)	672	60	305	5,2	4,46	29,9	4,01	32,9	3,56	35,9	3,38	37,1
med (4)	948	60	378	6,2	5,52	27,5	4,96	30,7	4,40	33,9	4,18	35,2
max (2)	1235	60	412	7,2	6,00	24,6	5,40	28,1	4,79	31,6	4,55	33,1
min (6)	672	70	402	8,6	5,64	35,2	5,16	38,0	4,68	40,9	4,49	42,0
med (4)	948	70	496	10,1	6,95	32,0	6,36	35,1	5,77	38,3	5,54	39,5
max (2)	1235	70	540	11,8	7,57	28,4	6,93	31,8	6,29	35,3	6,03	36,7
min (6)	672	80	497	12,6	6,77	40,2	6,28	43,0	5,78	45,8	5,59	46,9
med (4)	948	80	613	14,8	8,35	36,4	7,75	39,5	7,14	42,6	6,90	43,8
max (2)	1235	80	669	17,3	9,11	32,1	8,45	35,5	7,79	38,9	7,52	40,3

Yardy-EV3 74 capacities

Cooling capacity

Model					Tai: 23°C / 47% UR				Tai: 25°C / 47% UR				Tai: 27°C / 47% UR				Tai: 29°C / 47% UR			
Spd	Afl m³/h	Twl °C	G l/h	Δpw kPa	QT kW	QS kW	Tau °C	UR %	QT kW	QS kW	Tau °C	UR %	QT kW	QS kW	Tau °C	UR %	QT kW	QS kW	Tau °C	UR %
min (1)	672	5	961	7,2	4,09	2,95	9,8	99,8	4,83	3,24	10,5	99,8	5,61	3,52	11,3	99,8	6,44	3,80	12,1	99,8
med (3)	882	5	1184	8,5	5,04	3,67	10,5	99,8	5,95	4,02	11,3	99,8	6,92	4,37	12,1	99,8	7,94	4,71	13,0	99,8
max (6)	1235	5	1465	12,3	6,23	4,60	11,8	98,1	7,36	5,04	12,8	98,5	8,56	5,48	13,7	99,	9,82	5,90	14,7	99,6
min (1)	672	6	889	6,2	3,80	2,86	10,2	99,8	4,41	3,06	11,3	99,8	5,18	3,34	12,1	99,8	5,99	3,61	12,9	99,8
med (3)	882	6	1092	7,3	4,68	3,56	10,9	99,8	5,43	3,80	12,1	99,8	6,37	4,14	12,9	99,8	7,36	4,47	13,8	99,8
max (6)	1235	6	1351	10,7	5,72	4,40	12,3	99,	6,71	4,75	13,5	98,2	7,87	5,18	14,4	98,6	9,10	5,60	15,4	99,
min (1)	672	7	812	5,3	3,47	2,74	10,8	99,8	4,05	2,92	12,0	99,8	4,73	3,15	12,9	99,8	5,52	3,41	13,8	99,8
med (3)	882	7	996	6,2	4,26	3,41	11,4	99,8	4,96	3,62	12,7	99,8	5,80	3,90	13,7	99,8	6,77	4,22	14,6	99,8
max (6)	1235	7	1229	9,0	5,25	4,24	12,7	99,8	6,03	4,46	14,2	97,9	7,17	4,88	15,1	98,1	8,37	5,29	16,1	98,5
min (1)	672	8	747	4,6	3,13	2,62	11,3	99,8	3,72	2,81	12,5	99,8	4,35	3,01	13,6	99,8	5,06	3,23	14,6	99,8
med (3)	882	8	914	5,3	3,85	3,25	11,9	99,8	4,55	3,48	13,2	99,8	5,32	3,72	14,3	99,8	6,18	3,99	15,4	99,8
max (6)	1235	8	1099	7,4	4,74	4,07	13,1	99,8	5,52	4,29	14,6	98,9	6,41	4,57	15,9	97,7	7,55	4,97	16,9	98,
min (1)	672	9	678	3,8	2,79	2,51	11,8	99,8	3,34	2,65	13,2	99,8	3,95	2,86	14,2	99,8	4,63	3,08	15,3	99,8
med (3)	882	9	826	4,4	3,43	3,11	12,4	99,8	4,09	3,31	13,7	99,8	4,81	3,53	15,0	99,8	5,63	3,80	16,1	99,8
max (6)	1235	9	1017	6,4	4,26	3,92	13,5	99,8	5,03	4,12	15,0	99,5	5,92	4,42	16,3	98,8	6,85	4,69	17,6	97,6
min (1)	672	10	613	3,2	2,49	2,30	12,8	99,8	2,99	2,54	13,6	99,8	3,57	2,73	14,8	99,8	4,20	2,92	16,0	99,8
med (3)	882	10	743	3,7	3,04	2,82	13,4	99,5	3,64	3,13	14,3	99,8	4,33	3,36	15,6	99,8	5,08	3,59	16,8	99,8
max (6)	1235	10	913	5,3	3,76	3,54	14,4	97,5	4,49	3,93	15,5	99,8	5,31	4,20	16,8	99,1	6,23	4,49	18,1	98,3

Heating capacity

Model					Tai: 10°		Tai: 15°		Tai: 20°		Tai: 22°	
Spd	Afl m³/h	Twl °C	G l/h	Δpw kPa	Q kW	Tau °C	Q kW	Tau °C	Q kW	Tau °C	Q kW	Tau °C
min (1)	672	40	962	6,8	5,93	36,5	4,92	36,9	3,91	37,5	3,51	37,7
med (3)	882	40	1185	7,1	7,56	35,7	6,27	36,3	4,99	37,0	4,48	37,2
max (6)	1235	40	1466	8,7	9,44	32,9	7,82	34,0	6,23	35,1	5,60	35,6
min (1)	672	45	888	5,9	6,89	40,8	5,87	41,2	4,86	41,7	4,46	41,9
med (3)	882	45	1093	6,1	8,78	39,9	7,48	40,4	6,20	41,1	5,69	41,4
max (6)	1235	45	1352	7,5	10,95	36,6	9,33	37,7	7,74	38,8	7,11	39,3
min (1)	672	50	812	5,0	7,83	45,0	6,81	45,4	5,80	45,9	5,40	46,1
med (3)	882	50	995	5,2	9,97	43,9	8,67	44,5	7,39	45,1	6,88	45,4
max (6)	1235	50	1229	6,3	12,42	40,2	10,81	41,3	9,22	42,4	8,59	42,9
min (1)	672	60	621	3,1	9,50	52,4	8,50	52,9	7,51	53,5	7,12	53,8
med (3)	882	60	790	3,4	12,17	51,4	10,89	52,0	9,63	52,7	9,13	53,0
max (6)	1235	60	988	4,3	15,20	46,9	13,61	48,1	12,04	49,3	11,42	49,7
min (1)	672	70	820	5,1	11,91	63,2	10,85	63,4	9,80	63,8	9,39	63,9
med (3)	882	70	1031	5,5	15,08	61,3	13,74	61,7	12,42	62,3	11,90	62,5
max (6)	1235	70	1265	6,6	18,80	55,7	17,14	56,6	15,51	57,7	14,86	58,1
min (1)	672	80	1000	7,3	14,13	73,1	13,04	73,2	11,96	73,4	11,53	73,5
med (3)	882	80	1248	7,8	17,89	70,9	16,52	71,2	15,16	71,6	14,62	71,7
max (6)	1235	80	1524	9,3	22,34	64,3	20,63	65,1	18,95	66,0	18,28	66,4

Spd Terminal board wired fan speed.
The number shown in brackets indicates the wired speed on the autotransformer.

Afl Air flow rate

Twl Water inlet temperature

G Water flow rate

Δpw Water side pressure drops

Tai Air inlet temperature

UR Relative humidity

QT Cooling capacity (total heat)

QS Cooling capacity (sensitive heat)

Q Heating capacity

Tau Air outlet temperature

Heating capacity additional coil KB4-4

Model					Tai: 10°		Tai: 15°		Tai: 20°		Tai: 22°	
Spd	Afl m³/h	Twl °C	G l/h	Δpw kPa	Q kW	Tau °C	Q kW	Tau °C	Q kW	Tau °C	Q kW	Tau °C
min (1)	672	60	254	5,5	3,89	27,4	3,49	30,6	3,10	33,8	2,94	35,1
med (3)	882	60	334	5,4	5,10	27,3	4,58	30,6	4,06	33,8	3,86	35,1
max (6)	1235	60	391	7,1	5,97	24,5	5,37	28,0	4,76	31,6	4,52	33,0
min (1)	672	70	334	5,8	4,69	30,9	4,29	34,1	3,89	37,4	3,73	38,7
med (3)	882	70	438	5,7	6,14	30,9	5,62	34,1	5,10	37,3	4,89	38,6
max (6)	1235	70	514	7,6	7,20	27,5	6,59	31,0	5,98	34,5	5,74	35,9
min (1)	672	80	413	6,1	5,48	34,5	5,08	37,7	4,68	40,9	4,52	42,2
med (3)	882	80	542	5,9	7,18	34,4	6,66	37,6	6,13	40,9	5,93	42,2
max (6)	1235	80	636	7,9	8,42	30,5	7,81	34,0	7,19	37,5	6,95	38,9

Yardy-EV3 80 capacities

Cooling capacity

Model					Tai: 23°C / 47% UR				Tai: 25°C / 47% UR				Tai: 27°C / 47% UR				Tai: 29°C / 47% UR			
Spd	Afl m³/h	Twl °C	G l/h	Δpw kPa	QT kW	QS kW	Tau °C	UR %	QT kW	QS kW	Tau °C	UR %	QT kW	QS kW	Tau °C	UR %	QT kW	QS kW	Tau °C	UR %
min (6)	994	5	1308	10,2	5,56	4,53	9,3	93	6,56	4,97	10,0	93	7,62	5,39	10,7	94	8,75	5,80	11,5	94
med (4)	1171	5	1419	12,6	6,03	5,12	9,9	92	7,12	5,62	10,6	92	8,27	6,10	11,4	92	9,48	6,57	12,2	93
max (2)	1480	5	1702	23,4	7,25	6,38	10,1	90	8,56	6,99	10,8	90	9,94	7,59	11,6	91	11,41	8,18	12,4	91
min (6)	994	6	1203	8,8	5,12	4,36	9,8	94	5,97	4,68	10,9	93	7,01	5,10	11,6	93	8,10	5,51	12,4	94
med (4)	1171	6	1305	10,8	5,42	4,81	10,7	91	6,48	5,30	11,4	92	7,60	5,77	12,2	92	8,79	6,23	13,0	92
max (2)	1480	6	1569	20,2	6,52	6,00	10,8	90	7,80	6,60	11,6	90	9,16	7,19	12,4	90	10,59	7,76	13,3	91
min (6)	994	7	1092	7,4	4,73	4,24	10,2	95	5,36	4,40	11,7	92	6,36	4,80	12,5	93	7,42	5,20	13,3	93
med (4)	1171	7	1184	9,1	5,14	4,81	10,7	95	5,82	4,97	12,3	91	6,91	5,43	13,1	92	8,05	5,88	13,9	92
max (2)	1480	7	1428	17,0	6,10	5,90	11,0	92	7,01	6,20	12,4	90	8,33	6,77	13,3	90	9,71	7,33	14,1	90
min (6)	994	8	975	6,0	4,32	4,12	10,6	97	4,94	4,27	12,1	94	5,69	4,50	13,4	92	6,70	4,88	14,3	93
med (4)	1171	8	1058	7,4	4,71	4,69	11,0	97	5,36	4,83	12,6	93	6,17	5,09	14,0	91	7,27	5,52	14,9	91
max (2)	1480	8	1278	13,9	5,66	5,66	11,5	94	6,35	5,92	13,0	90	7,45	6,35	14,1	90	8,78	6,89	15,0	90
min (6)	994	9	908	5,3	3,95	3,95	11,1	99	4,55	4,13	12,5	95	5,30	4,40	13,7	94	6,09	4,62	15,1	92
med (4)	1171	9	963	6,3	4,28	4,28	12,0	97	4,90	4,66	13,1	94	5,61	4,87	14,5	92	6,54	5,20	15,7	91
max (2)	1480	9	1165	11,8	5,22	5,22	12,4	97	5,95	5,85	13,1	93	6,78	6,08	14,7	90	7,91	6,49	15,8	90
min (6)	994	10	829	4,5	3,51	3,51	12,4	94	4,14	4,00	12,9	96	4,83	4,23	14,2	95	5,54	4,42	15,7	93
med (4)	1171	10	885	5,4	3,80	3,80	13,3	92	4,48	4,48	13,5	95	5,15	4,71	14,9	93	5,96	4,98	16,2	92
max (2)	1480	10	1075	10,2	4,64	4,64	13,6	92	5,42	5,42	14,0	93	6,26	5,91	15,0	91	7,23	6,23	16,4	90

Heating capacity

Model					Tai: 10°		Tai: 15°		Tai: 20°		Tai: 22°	
Spd	Afl m³/h	Twl °C	G l/h	Δpw kPa	Q kW	Tau °C	Q kW	Tau °C	Q kW	Tau °C	Q kW	Tau °C
min (6)	994	40	1308	9,4	9,30	38,1	7,71	38,3	6,15	38,6	5,52	38,7
med (4)	1171	40	1419	11,6	10,27	36,3	8,53	36,8	6,80	37,4	6,11	37,6
max (2)	1480	40	1702	21,5	11,98	34,3	9,95	35,2	7,93	36,1	7,13	36,4
min (6)	994	45	1203	8,1	10,76	42,5	9,18	42,7	7,62	43,0	7,00	43,1
med (4)	1171	45	1305	10,0	11,89	40,5	10,15	41,0	8,43	41,6	7,74	41,8
max (2)	1480	45	1569	18,5	13,86	38,1	11,84	39,0	9,83	39,9	9,03	40,3
min (6)	994	50	1092	6,8	12,15	46,7	10,59	47,0	9,04	47,3	8,42	47,4
med (4)	1171	50	1184	8,4	13,42	44,4	11,70	45,0	9,99	45,6	9,31	45,9
max (2)	1480	50	1428	15,6	15,67	41,8	13,66	42,7	11,67	43,7	10,88	44,1
min (6)	994	60	1039	6,2	15,25	56,0	13,67	56,2	12,10	56,5	11,48	56,6
med (4)	1171	60	1147	7,9	16,82	53,1	15,08	53,6	13,36	54,2	12,67	54,5
max (2)	1480	60	1328	13,7	19,46	49,5	17,46	50,4	15,46	51,3	14,67	51,7
min (6)	994	70	1352	10,0	19,05	67,5	17,39	67,5	15,74	67,5	15,09	67,5
med (4)	1171	70	1490	12,7	20,98	63,8	19,15	64,1	17,35	64,4	16,63	64,6
max (2)	1480	70	1727	22,0	24,31	59,3	22,20	60,0	20,11	60,8	19,28	61,1
min (6)	994	80	1661	14,5	22,76	78,7	21,04	78,5	19,34	78,4	18,66	78,3
med (4)	1171	80	1831	18,4	25,08	74,3	23,19	74,4	21,32	74,6	20,58	74,7
max (2)	1480	80	2125	32,0	29,09	69,0	26,90	69,5	24,74	70,1	23,88	70,4

- Spd** Terminal board wired fan speed.
The number shown in brackets indicates the wired speed on the autotransformer.
- Afl** Air flow rate
- Twl** Water inlet temperature
- G** Water flow rate
- Δpw** Water side pressure drops
- Tai** Air inlet temperature
- UR** Relative humidity
- QT** Cooling capacity (total heat)
- QS** Cooling capacity (sensitive heat)
- Q** Heating capacity
- Tau** Air outlet temperature

Heating capacity additional coil KB4-4

Model					Tai: 10°		Tai: 15°		Tai: 20°		Tai: 22°	
Spd	Afl m³/h	Twl °C	G l/h	Δpw kPa	Q kW	Tau °C	Q kW	Tau °C	Q kW	Tau °C	Q kW	Tau °C
min (6)	994	60	404	5,9	5,90	27,8	5,30	31,0	4,70	34,2	4,47	35,5
med (4)	1171	60	445	7,1	6,49	26,6	5,84	30,0	5,18	33,3	4,92	34,6
max (2)	1480	60	488	8,2	7,12	24,4	6,40	28,0	5,68	31,5	5,39	32,9
min (6)	994	70	530	9,6	7,43	32,4	6,80	35,5	6,17	38,6	5,92	39,9
med (4)	1171	70	584	11,5	8,18	31,0	7,49	34,2	6,80	37,4	6,52	38,7
max (2)	1480	70	641	13,4	8,98	28,2	8,22	31,7	7,46	35,1	7,16	36,5
min (6)	994	80	656	14,1	8,93	37,0	8,28	40,0	7,63	43,0	7,37	44,3
med (4)	1171	80	723	16,9	9,85	35,2	9,13	38,4	8,42	41,6	8,13	42,8
max (2)	1480	80	794	19,7	10,81	31,9	10,02	35,3	9,24	38,7	8,93	40,1

Yardy-EV3 88 capacities

Cooling capacity

Model					Tai: 23°C / 47% UR				Tai: 25°C / 47% UR				Tai: 27°C / 47% UR				Tai: 29°C / 47% UR			
Spd	Afl m³/h	Twl °C	G l/h	Δpw kPa	QT kW	QS kW	Tau °C	UR %	QT kW	QS kW	Tau °C	UR %	QT kW	QS kW	Tau °C	UR %	QT kW	QS kW	Tau °C	UR %
min (1)	994	5	1352	10,7	5,75	4,24	10,2	99,5	6,79	4,65	11,0	99,8	7,89	5,05	11,8	99,8	9,06	5,44	12,6	99,8
med (4)	1220	5	1604	14,5	6,82	5,09	10,5	98,2	8,06	5,59	11,3	98,6	9,37	6,07	12,1	99,1	10,75	6,55	12,9	99,7
max (6)	1480	5	1794	17,8	7,63	5,77	11,3	97,	9,02	6,33	12,2	97,4	10,48	6,88	13,1	97,9	12,03	7,41	14,0	98,5
min (1)	994	6	1247	9,2	5,27	4,05	10,8	99,8	6,19	4,38	11,8	99,5	7,26	4,78	12,6	99,8	8,40	5,16	13,4	99,8
med (4)	1220	6	1480	12,6	6,26	4,88	11,0	99,	7,34	5,27	12,0	98,2	8,62	5,74	12,9	98,6	9,97	6,21	13,7	99,1
max (6)	1480	6	1655	15,4	7,02	5,53	11,8	97,9	8,22	5,97	12,9	97,	9,65	6,51	13,8	97,4	11,16	7,03	14,7	97,9
min (1)	994	7	1135	7,8	4,87	3,94	11,1	99,8	5,66	4,18	12,4	99,8	6,61	4,50	13,4	99,5	7,71	4,87	14,3	99,8
med (4)	1220	7	1346	10,6	5,74	4,69	11,5	99,8	6,61	4,95	12,8	97,9	7,85	5,41	13,7	98,2	9,16	5,87	14,6	98,6
max (6)	1480	7	1508	13,0	6,45	5,34	12,2	99,4	7,40	5,61	13,6	96,7	8,79	6,13	14,6	97,	10,26	6,65	15,5	97,4
min (1)	994	8	1038	6,6	4,39	3,75	11,7	99,8	5,13	3,97	13,0	99,8	5,97	4,24	14,2	99,1	7,04	4,60	15,1	99,4
med (4)	1220	8	1204	8,7	5,18	4,51	11,9	99,8	6,04	4,75	13,3	99,	7,01	5,07	14,5	97,8	8,27	5,50	15,5	98,1
max (6)	1480	8	1348	10,6	5,83	5,15	12,6	99,8	6,78	5,40	14,1	97,9	7,86	5,74	15,4	96,6	9,26	6,24	16,4	96,9
min (1)	994	9	940	5,6	3,91	3,59	12,2	99,8	4,66	3,82	13,5	99,8	5,47	4,07	14,7	99,8	6,41	4,38	15,8	99,7
med (4)	1220	9	1114	7,5	4,67	4,34	12,3	99,8	5,51	4,56	13,8	99,6	6,48	4,90	15,0	98,8	7,50	5,20	16,2	97,7
max (6)	1480	9	1229	9,0	5,23	4,94	13,0	99,8	6,15	5,17	14,5	98,5	7,22	5,54	15,8	97,7	8,34	5,87	17,1	96,5
min (1)	994	10	844	4,6	3,46	3,25	13,2	98,6	4,14	3,61	14,1	99,8	4,92	3,87	15,3	99,8	5,77	4,14	16,5	99,5
med (4)	1220	10	1000	6,2	4,12	3,92	13,4	97,5	4,92	4,35	14,3	99,8	5,82	4,66	15,6	99,1	6,82	4,97	16,8	98,4
max (6)	1480	10	1116	7,6	4,64	4,47	13,9	96,7	5,52	4,96	14,9	99,5	6,52	5,29	16,3	98,2	7,55	5,58	17,7	96,6

Heating capacity

Model					Tai: 10°		Tai: 15°		Tai: 20°		Tai: 22°	
Spd	Afl m³/h	Twl °C	G l/h	Δpw kPa	Q kW	Tau °C	Q kW	Tau °C	Q kW	Tau °C	Q kW	Tau °C
min (1)	994	40	1353	7,0	9,71	39,3	8,05	39,3	6,40	39,3	5,75	39,4
med (4)	1220	40	1605	9,3	11,30	37,8	9,37	38,0	7,46	38,3	6,70	38,5
max (6)	1480	40	1796	11,2	12,42	35,2	10,30	35,9	8,20	36,6	7,37	36,9
min (1)	994	45	1247	6,0	11,27	44,0	9,60	44,0	7,96	44,0	7,31	44,1
med (4)	1220	45	1480	8,1	13,11	42,2	11,18	42,5	9,27	42,8	8,51	42,9
max (6)	1480	45	1656	9,7	14,41	39,2	12,29	39,9	10,20	40,7	9,36	41,0
min (1)	994	50	1135	5,1	12,79	48,6	11,13	48,6	9,49	48,6	8,84	48,7
med (4)	1220	50	1346	6,8	14,89	46,6	12,96	46,9	11,05	47,2	10,30	47,3
max (6)	1480	50	1508	8,2	16,36	43,2	14,24	43,9	12,15	44,6	11,32	45,0
min (1)	994	60	1011	4,1	15,87	57,9	14,20	57,9	12,56	57,9	11,90	57,9
med (4)	1220	60	1173	5,3	18,42	55,3	16,49	55,6	14,59	55,9	13,83	56,0
max (6)	1480	60	1282	6,1	20,17	50,9	18,06	51,6	15,98	52,4	15,16	52,7
min (1)	994	70	1311	6,6	19,53	68,9	17,80	68,7	16,09	68,6	15,41	68,5
med (4)	1220	70	1503	8,3	22,67	65,8	20,67	65,8	18,70	66,0	17,91	66,0
max (6)	1480	70	1630	9,4	24,87	60,4	22,68	61,0	20,52	61,6	19,66	61,9
min (1)	994	80	1585	9,3	23,13	79,8	21,35	79,4	19,59	79,1	18,90	79,0
med (4)	1220	80	1811	11,6	26,87	76,1	24,81	76,0	22,78	76,0	21,98	76,0
max (6)	1480	80	1957	13,1	29,50	69,8	27,26	70,3	25,04	70,7	24,16	71,0

- Spd** Terminal board wired fan speed.
The number shown in brackets indicates the wired speed on the autotransformer.
- Afl** Air flow rate
- Twl** Water inlet temperature
- G** Water flow rate
- Δpw** Water side pressure drops
- Tai** Air inlet temperature
- UR** Relative humidity
- QT** Cooling capacity (total heat)
- QS** Cooling capacity (sensitive heat)
- Q** Heating capacity
- Tau** Air outlet temperature

Heating capacity additional coil KB4-4

Model					Tai: 10°		Tai: 15°		Tai: 20°		Tai: 22°	
Spd	Afl m³/h	Twl °C	G l/h	Δpw kPa	Q kW	Tau °C	Q kW	Tau °C	Q kW	Tau °C	Q kW	Tau °C
min (1)	994	60	384	4,3	5,86	27,7	5,26	30,9	4,67	34,1	4,43	35,4
med (4)	1220	60	456	5,7	6,96	27,1	6,26	30,4	5,55	33,7	5,27	35,0
max (6)	1480	60	467	7,3	7,14	24,5	6,42	28,0	5,70	31,5	5,41	33,0
min (1)	994	70	503	4,6	7,06	31,3	6,46	34,5	5,86	37,7	5,62	39,0
med (4)	1220	70	599	6,0	8,39	30,6	7,68	33,9	6,97	37,1	6,69	38,4
max (6)	1480	70	614	7,7	8,60	27,4	7,88	31,0	7,15	34,5	6,86	35,9
min (1)	994	80	623	4,7	8,25	34,9	7,65	38,1	7,05	41,3	6,81	42,5
med (4)	1220	80	741	6,2	9,81	34,1	9,10	37,4	8,38	40,6	8,10	41,9
max (6)	1480	80	759	8,0	10,06	30,4	9,33	33,9	8,60	37,4	8,31	38,8

Yardy-I EV3 20 capacities

Cooling capacity

Model					Tai: 23°C / 47% UR				Tai: 25°C / 47% UR				Tai: 27°C / 47% UR				Tai: 29°C / 47% UR			
Spd	Afl m³/h	Twl °C	G l/h	Δpw kPa	QT kW	QS kW	Tau °C	UR %	QT kW	QS kW	Tau °C	UR %	QT kW	QS kW	Tau °C	UR %	QT kW	QS kW	Tau °C	UR %
I (C)	331	5	382	16,9	1,62	1,39	10,4	93,4	1,92	1,52	11,2	93,9	2,23	1,65	12,0	94,4	2,55	1,78	12,8	95,1
II	275	5	330	13,5	1,40	0,94	12,8	94,7	1,66	1,03	13,8	95,1	1,93	1,12	14,8	95,7	2,21	1,20	15,9	96,4
III (C)	230	5	293	10,3	1,25	1,07	9,0	95,9	1,47	1,18	9,6	96,3	1,71	1,28	10,3	96,9	1,96	1,38	11,0	97,6
IV (C)	97	5	150	3,4	0,64	0,48	8,1	99,8	0,75	0,53	8,6	99,8	0,87	0,58	9,2	99,8	1,00	0,62	9,7	99,8
I (C)	331	6	353	14,7	1,47	1,30	11,2	93,2	1,75	1,44	12,0	93,5	2,06	1,57	12,8	94,	2,38	1,69	13,6	94,5
II	275	6	306	11,7	1,27	0,88	13,4	94,5	1,52	0,97	14,4	94,8	1,78	1,06	15,5	95,2	2,06	1,14	16,5	95,8
III (C)	230	6	272	9,0	1,13	1,01	9,8	95,7	1,35	1,12	10,5	96,	1,58	1,22	11,1	96,4	1,83	1,32	11,8	97,
IV (C)	97	6	139	3,0	0,58	0,45	9,0	99,8	0,69	0,50	9,5	99,8	0,81	0,55	10,0	99,8	0,94	0,59	10,6	99,8
I (C)	331	7	323	12,5	1,38	1,29	11,3	95,8	1,58	1,35	12,7	93,2	1,88	1,48	13,6	93,5	2,19	1,60	14,5	94,
II	275	7	280	10,0	1,19	0,87	13,5	97,1	1,37	0,91	15,0	94,5	1,63	1,00	16,1	94,8	1,90	1,08	17,2	95,3
III (C)	230	7	249	7,7	1,06	1,00	10,0	98,4	1,22	1,05	11,3	95,7	1,45	1,15	12,0	96,	1,69	1,25	12,7	96,5
IV (C)	97	7	129	2,6	0,54	0,44	9,4	99,8	0,63	0,47	10,3	99,8	0,75	0,52	10,9	99,8	0,87	0,57	11,5	99,8
I (C)	331	8	291	10,4	1,29	1,27	11,4	98,9	1,45	1,30	13,2	94,2	1,70	1,39	14,4	93,2	2,00	1,51	15,3	93,5
II	275	8	253	8,3	1,11	0,86	13,6	99,8	1,26	0,88	15,4	95,5	1,47	0,94	16,7	94,4	1,74	1,02	17,8	94,8
III (C)	230	8	225	6,4	0,98	0,97	10,4	99,8	1,12	1,01	11,8	96,8	1,31	1,08	12,9	95,6	1,55	1,18	13,6	96,
IV (C)	97	8	118	2,2	0,50	0,43	9,7	99,8	0,57	0,45	11,2	99,8	0,69	0,49	11,8	99,8	0,81	0,54	12,4	99,8
I (C)	331	9	264	8,7	1,18	1,18	12,3	99,8	1,34	1,27	13,5	95,9	1,55	1,34	14,9	94,1	1,81	1,42	16,1	93,1
II	275	9	231	7,1	1,02	0,84	13,8	99,8	1,17	0,86	15,6	97,3	1,32	0,88	17,3	94,1	1,57	0,97	18,5	94,3
III (C)	230	9	204	5,4	0,90	0,90	11,3	99,8	1,04	0,99	12,1	98,6	1,21	1,04	13,4	96,6	1,40	1,11	14,5	95,6
IV (C)	97	9	106	1,8	0,46	0,41	10,2	99,8	0,54	0,44	11,4	99,8	0,62	0,46	12,7	99,8	0,74	0,51	13,4	99,8
I (C)	331	10	244	7,5	1,06	1,06	13,4	98,2	1,23	1,23	13,9	96,8	1,42	1,28	15,4	94,5	1,66	1,37	16,5	93,9
II	275	10	213	6,1	0,92	0,78	14,4	99,8	1,07	0,83	15,9	98,3	1,24	0,87	17,5	95,9	1,45	0,93	18,8	95,2
III (C)	230	10	190	4,7	0,82	0,82	12,4	99,8	0,96	0,96	12,5	99,8	1,11	1,00	13,9	97,2	1,27	1,05	15,3	95,2
IV (C)	97	10	99	1,6	0,42	0,41	10,4	99,8	0,50	0,43	11,8	99,8	0,57	0,45	13,2	99,8	0,67	0,48	14,2	99,8

Heating capacity

Model					Tai: 10°		Tai: 15°		Tai: 20°		Tai: 22°	
Spd	Afl m³/h	Twl °C	G l/h	Δpw kPa	Q kW	Tau °C	Q kW	Tau °C	Q kW	Tau °C	Q kW	Tau °C
I (C)	331	40	382	15,7	2,53	32,9	2,10	34,0	1,67	35,2	1,50	35,6
II	275	40	330	12,5	2,15	33,5	1,78	34,5	1,42	35,5	1,28	35,9
III (C)	230	40	293	9,5	1,81	33,6	1,50	34,6	1,20	35,6	1,07	36,0
IV (C)	97	40	150	3,1	0,93	38,8	0,77	38,9	0,61	39,0	0,55	39,0
I (C)	331	45	353	13,6	2,93	36,6	2,50	37,7	2,08	38,8	1,91	39,3
II	275	45	306	10,9	2,49	37,2	2,13	38,2	1,76	39,3	1,62	39,7
III (C)	230	45	272	8,3	2,10	37,4	1,79	38,4	1,49	39,4	1,36	39,8
IV (C)	97	45	139	2,8	1,08	43,5	0,92	43,5	0,76	43,6	0,70	43,7
I (C)	331	50	323	11,6	3,32	40,1	2,89	41,2	2,47	42,4	2,30	42,9
II	275	50	280	9,3	2,83	40,8	2,46	41,8	2,10	42,9	1,96	43,3
III (C)	230	50	249	7,1	2,38	41,1	2,07	42,1	1,77	43,1	1,65	43,5
IV (C)	97	50	129	2,4	1,23	48,0	1,07	48,0	0,91	48,1	0,85	48,2
I (C)	331	60	279	8,9	4,09	47,0	3,66	48,2	3,24	49,4	3,08	49,9
II	275	60	236	6,8	3,46	47,8	3,10	48,9	2,75	50,0	2,61	50,4
III (C)	230	60	197	4,7	2,89	47,7	2,59	48,8	2,29	49,9	2,17	50,3
IV (C)	97	60	102	1,6	1,50	56,3	1,34	56,4	1,18	56,6	1,12	56,7
I (C)	331	70	361	14,2	5,09	56,1	4,64	57,1	4,20	58,1	4,03	58,5
II	275	70	308	11,0	4,34	57,3	3,96	58,2	3,58	59,1	3,43	59,4
III (C)	230	70	258	7,6	3,64	57,5	3,32	58,3	3,00	59,2	2,88	59,5
IV (C)	97	70	133	2,5	1,88	68,0	1,71	67,8	1,54	67,7	1,48	67,7
I (C)	331	80	443	20,5	6,07	65,0	5,61	65,9	5,16	66,7	4,98	67,1
II	275	80	377	15,9	5,17	66,4	4,78	67,1	4,39	67,9	4,24	68,2
III (C)	230	80	316	10,9	4,34	66,6	4,01	67,3	3,68	68,0	3,55	68,3
IV (C)	97	80	164	3,7	2,25	79,7	2,08	79,3	1,91	78,9	1,84	78,8

Spd Terminal board wired fan speed.
The number in parentheses indicates the control signal Vdc led the drive motor.

Afl Air flow rate

Twl Water inlet temperature

G Water flow rate

Δpw Water side pressure drops

Tai Air inlet temperature

UR Relative humidity

QT Cooling capacity (total heat)

QS Cooling capacity (sensitive heat)

Q Heating capacity

Tau Air outlet temperature

Heating capacity additional coil KB4-4

Model					Tai: 10°		Tai: 15°		Tai: 20°		Tai: 22°	
Spd	Afl m³/h	Twl °C	G l/h	Δpw kPa	Q kW	Tau °C	Q kW	Tau °C	Q kW	Tau °C	Q kW	Tau °C
I (C)	331	60	140	4,2	2,04	28,5	1,83	31,6	1,62	34,7	1,54	36,0
II	275	60	132	3,8	1,93	31,0	1,73	33,9	1,54	36,8	1,46	37,9
III (C)	230	60	119	3,4	1,74	32,7	1,56	35,4	1,39	38,1	1,32	39,2
IV (C)	97	60	48	0,6	0,87	36,8	0,78	39,1	0,69	41,4	0,66	42,3
I (C)	331	70	188	7,2	2,64	33,9	2,41	36,9	2,19	39,8	2,10	41,0
II	275	70	181	6,7	2,53	37,6	2,31	40,2	2,10	42,9	2,01	44,0
III (C)	230	70	164	6,1	2,30	40,0	2,10	42,5	1,91	44,9	1,83	45,9
IV (C)	97	70	86	1,7	1,21	47,3	1,10	49,1	1,00	50,9	0,96	51,7
I (C)	331	80	234	10,6	3,18	38,8	2,95	41,7	2,72	44,6	2,63	45,8
II	275	80	224	9,8	3,05	43,3	2,83	45,8	2,61	48,4	2,52	49,5
III (C)	230	80	204	9,0	2,78	46,2	2,57	48,6	2,37	50,9	2,29	51,9
IV (C)	97	80	109	2,6	1,49	56,0	1,38	57,6	1,27	59,2	1,23	59,9

Yardy-I EV3 24 capacities

Cooling capacity

Model					Tai: 23°C / 47% UR				Tai: 25°C / 47% UR				Tai: 27°C / 47% UR				Tai: 29°C / 47% UR			
Spd	Afl m³/h	Twi °C	G l/h	Δpw kPa	QT kW	QS kW	Tau °C	UR %	QT kW	QS kW	Tau °C	UR %	QT kW	QS kW	Tau °C	UR %	QT kW	QS kW	Tau °C	UR %
I (C)	97	5	162	5,8	0,68	0,48	8,1	99,8	0,81	0,53	8,6	99,8	0,94	0,58	9,2	99,8	1,07	0,62	9,7	99,8
II (C)	230	5	342	20,5	1,44	1,04	9,4	99,8	1,70	1,15	10,0	99,8	1,98	1,25	10,7	99,8	2,27	1,35	11,4	99,8
III	275	5	393	26,1	1,66	1,20	9,9	99,8	1,96	1,32	10,6	99,8	2,28	1,44	11,3	99,8	2,61	1,56	12,0	99,8
IV (C)	331	5	456	28,4	1,93	1,40	10,3	99,8	2,28	1,54	11,1	99,8	2,65	1,68	11,8	99,8	3,03	1,81	12,6	99,8
I (C)	97	6	150	5,0	0,62	0,45	9,0	99,8	0,75	0,50	9,5	99,8	0,88	0,55	10,0	99,8	1,01	0,60	10,6	99,8
II (C)	230	6	315	17,8	1,31	0,98	10,2	99,8	1,57	1,08	10,9	99,8	1,84	1,19	11,5	99,8	2,13	1,29	12,2	99,8
III	275	6	362	22,5	1,50	1,13	10,7	99,8	1,80	1,25	11,4	99,8	2,11	1,37	12,1	99,8	2,44	1,48	12,9	99,8
IV (C)	331	6	420	24,5	1,75	1,32	11,1	99,8	2,09	1,45	11,8	99,8	2,45	1,59	12,6	99,8	2,84	1,72	13,4	99,8
I (C)	97	7	139	4,4	0,58	0,43	9,6	99,8	0,68	0,47	10,4	99,8	0,81	0,52	10,9	99,8	0,94	0,57	11,5	99,8
II (C)	230	7	290	15,3	1,20	0,94	10,7	99,8	1,42	1,02	11,7	99,8	1,69	1,12	12,4	99,8	1,97	1,22	13,1	99,8
III	275	7	333	19,4	1,38	1,09	11,2	99,8	1,63	1,18	12,2	99,8	1,94	1,29	12,9	99,8	2,27	1,40	13,7	99,8
IV (C)	331	7	386	21,0	1,60	1,26	11,5	99,8	1,90	1,37	12,6	99,8	2,25	1,50	13,4	99,8	2,63	1,63	14,2	99,8
I (C)	97	8	127	3,8	0,52	0,41	10,2	99,8	0,62	0,44	11,3	99,8	0,74	0,49	11,8	99,8	0,88	0,54	12,4	99,8
II (C)	230	8	264	12,9	1,11	0,91	11,1	99,8	1,28	0,96	12,5	99,8	1,54	1,06	13,2	99,8	1,82	1,15	14,0	99,8
III	275	8	302	16,3	1,27	1,05	11,5	99,8	1,46	1,10	13,0	99,8	1,76	1,22	13,7	99,8	2,08	1,33	14,5	99,8
IV (C)	331	8	350	17,6	1,48	1,23	11,9	99,8	1,70	1,28	13,4	99,8	2,04	1,41	14,2	99,8	2,41	1,54	15,0	99,8
I (C)	97	9	115	3,2	0,47	0,40	10,8	99,8	0,57	0,43	11,8	99,8	0,67	0,46	12,7	99,8	0,80	0,51	13,3	99,8
II (C)	230	9	236	10,6	1,01	0,88	11,5	99,8	1,19	0,93	12,9	99,8	1,38	0,99	14,1	99,8	1,64	1,08	14,9	99,8
III	275	9	270	13,3	1,16	1,02	11,9	99,8	1,36	1,07	13,3	99,8	1,58	1,14	14,6	99,8	1,88	1,24	15,4	99,8
IV (C)	331	9	313	14,4	1,35	1,19	12,2	99,8	1,57	1,25	13,7	99,8	1,82	1,32	15,0	99,7	2,18	1,44	15,9	99,8
I (C)	97	10	107	2,7	0,42	0,38	11,2	99,8	0,52	0,41	12,3	99,8	0,62	0,44	13,3	99,8	0,73	0,48	14,2	99,8
II (C)	230	10	217	9,0	0,91	0,85	11,9	99,8	1,08	0,90	13,3	99,8	1,26	0,95	14,6	99,8	1,48	1,02	15,7	99,8
III	275	10	248	11,4	1,03	0,98	12,3	99,8	1,24	1,03	13,7	99,8	1,44	1,09	15,1	99,8	1,70	1,17	16,2	99,8
IV (C)	331	10	286	12,2	1,21	1,15	12,6	99,8	1,44	1,20	14,1	99,8	1,66	1,27	15,5	99,8	1,96	1,36	16,7	99,6

Heating capacity

Model					Tai: 10°		Tai: 15°		Tai: 20°		Tai: 22°	
Spd	Afl m³/h	Twi °C	G l/h	Δpw kPa	Q kW	Tau °C	Q kW	Tau °C	Q kW	Tau °C	Q kW	Tau °C
I (C)	97	40	161	5,4	1,02	41,6	0,85	41,2	0,67	40,8	0,60	40,6
II (C)	230	40	339	19,2	1,94	35,3	1,61	36,0	1,28	36,7	1,15	37,0
III	275	40	390	24,5	2,25	34,5	1,86	35,3	1,48	36,2	1,33	36,5
IV (C)	331	40	453	26,7	2,66	34,1	2,20	35,0	1,75	35,9	1,57	36,3
I (C)	97	45	150	4,8	1,19	46,8	1,01	46,3	0,84	45,9	0,77	45,7
II (C)	230	45	315	16,9	2,26	39,4	1,92	40,1	1,59	40,8	1,46	41,1
III	275	45	362	21,4	2,61	38,5	2,23	39,3	1,84	40,1	1,69	40,5
IV (C)	331	45	421	23,3	3,09	38,0	2,63	38,8	2,18	39,8	2,00	40,1
I (C)	97	50	139	4,2	1,35	51,9	1,18	51,4	1,00	50,9	0,93	50,8
II (C)	230	50	290	14,5	2,57	43,5	2,23	44,1	1,90	44,8	1,77	45,1
III	275	50	333	18,4	2,97	42,4	2,58	43,2	2,20	44,0	2,05	44,4
IV (C)	331	50	386	20,0	3,51	41,8	3,05	42,6	2,60	43,6	2,42	44,0
I (C)	97	60	110	2,8	1,67	61,5	1,49	61,0	1,31	60,6	1,24	60,4
II (C)	230	60	209	8,0	3,12	50,7	2,79	51,4	2,47	52,2	2,34	52,5
III	275	60	242	10,4	3,61	49,4	3,23	50,3	2,86	51,2	2,71	51,5
IV (C)	331	60	286	11,6	4,27	48,7	3,82	49,6	3,38	50,6	3,20	51,0
I (C)	97	70	142	4,4	2,06	73,6	1,87	72,8	1,69	72,1	1,61	71,9
II (C)	230	70	269	12,7	3,84	60,1	3,50	60,6	3,16	61,2	3,03	61,5
III	275	70	312	16,3	4,45	58,5	4,05	59,2	3,66	59,9	3,51	60,3
IV (C)	331	70	368	18,3	5,26	57,7	4,79	58,5	4,33	59,3	4,15	59,6
I (C)	97	80	174	6,3	2,44	85,3	2,24	84,3	2,05	83,5	1,98	83,2
II (C)	230	80	328	18,1	4,55	69,4	4,20	69,8	3,85	70,2	3,71	70,4
III	275	80	381	23,4	5,27	67,5	4,87	68,1	4,46	68,7	4,31	69,0
IV (C)	331	80	450	26,3	6,24	66,6	5,76	67,2	5,29	67,9	5,10	68,2

- Spd** Terminal board wired fan speed.
The number in parentheses indicates the control signal Vdc led the drive motor.
- Afl** Air flow rate
- Twi** Water inlet temperature
- G** Water flow rate
- Δpw** Water side pressure drops
- Tai** Air inlet temperature
- UR** Relative humidity
- QT** Cooling capacity (total heat)
- QS** Cooling capacity (sensitive heat)
- Q** Heating capacity
- Tau** Air outlet temperature

Heating capacity additional coil KB4-4

Model					Tai: 10°		Tai: 15°		Tai: 20°		Tai: 22°	
Spd	Afl m³/h	Twi °C	G l/h	Δpw kPa	Q kW	Tau °C	Q kW	Tau °C	Q kW	Tau °C	Q kW	Tau °C
I (C)	97	60	64	0,7	0,99	40,7	0,89	42,6	0,79	44,5	0,75	45,2
II (C)	230	60	112	2,4	1,80	33,5	1,62	36,1	1,43	38,7	1,36	39,8
III	275	60	126	2,7	2,00	31,8	1,80	34,6	1,59	37,4	1,51	38,5
IV (C)	331	60	134	3,3	2,10	29,0	1,88	32,1	1,67	35,2	1,59	36,4
I (C)	97	70	86	0,7	1,21	47,3	1,10	49,1	1,00	50,9	0,96	51,7
II (C)	230	70	155	2,6	2,17	38,3	1,98	40,9	1,80	43,5	1,73	44,5
III	275	70	172	2,9	2,41	36,3	2,20	39,0	2,00	41,8	1,92	42,9
IV (C)	331	70	180	3,5	2,53	32,9	2,31	36,0	2,10	39,0	2,01	40,3
I (C)	97	80	109	0,8	1,41	53,6	1,31	55,4	1,20	57,2	1,16	57,9
II (C)	230	80	192	2,7	2,54	43,1	2,35	45,7	2,17	48,2	2,09	49,3
III	275	80	213	3,0	2,82	40,7	2,61	43,5	2,41	46,2	2,32	47,4
IV (C)	331	80	224	3,6	2,96	36,8	2,74	39,9	2,53	42,9	2,44	44,1

Yardy-I EV3 30 capacities

Cooling capacity

Model					Tai: 23°C / 47% UR				Tai: 25°C / 47% UR				Tai: 27°C / 47% UR				Tai: 29°C / 47% UR			
Spd	Afl m³/h	Twl °C	G l/h	Δpw kPa	QT kW	QS kW	Tau °C	UR %	QT kW	QS kW	Tau °C	UR %	QT kW	QS kW	Tau °C	UR %	QT kW	QS kW	Tau °C	UR %
I (C)	523	5	611	15,4	2,60	2,23	10,2	93,	3,07	2,44	11,0	93,4	3,56	2,65	11,8	94,	4,09	2,86	12,6	94,6
II	450	5	525	11,3	2,23	1,83	10,8	94,	2,63	2,01	11,6	94,5	3,06	2,18	12,5	95,	3,51	2,35	13,3	95,6
III (C)	400	5	474	9,6	2,01	1,66	10,6	94,8	2,38	1,82	11,3	95,3	2,76	1,98	12,2	95,8	3,17	2,13	13,0	96,4
IV (C)	167	5	218	2,5	0,93	0,71	10,2	99,8	1,09	0,78	10,9	99,8	1,27	0,85	11,7	99,8	1,46	0,92	12,4	99,8
I (C)	523	6	564	13,3	2,34	2,09	11,0	92,8	2,80	2,30	11,8	93,1	3,29	2,51	12,6	93,5	3,80	2,72	13,4	94,1
II	450	6	486	9,8	2,01	1,72	11,5	93,8	2,41	1,90	12,4	94,1	2,83	2,07	13,2	94,5	3,27	2,23	14,1	95,1
III (C)	400	6	438	8,4	1,82	1,56	11,3	94,6	2,17	1,72	12,1	94,9	2,55	1,87	12,9	95,3	2,95	2,03	13,8	95,9
IV (C)	167	6	203	2,2	0,84	0,67	10,9	99,8	1,01	0,74	11,6	99,8	1,18	0,81	12,4	99,8	1,37	0,88	13,2	99,8
I (C)	523	7	515	11,3	2,20	2,06	11,2	95,2	2,53	2,17	12,6	92,8	3,00	2,37	13,4	93,1	3,50	2,57	14,3	93,5
II	450	7	443	8,3	1,89	1,69	11,7	96,2	2,17	1,78	13,1	93,8	2,58	1,95	14,0	94,1	3,01	2,11	14,9	94,5
III (C)	400	7	400	7,1	1,71	1,54	11,5	97,	1,96	1,62	12,9	94,6	2,33	1,77	13,7	94,9	2,72	1,92	14,6	95,4
IV (C)	167	7	187	1,9	0,80	0,67	11,0	99,8	0,92	0,70	12,4	99,8	1,09	0,77	13,2	99,8	1,27	0,84	14,0	99,8
I (C)	523	8	463	9,3	2,04	2,03	11,3	98,	2,30	2,08	13,1	93,7	2,70	2,22	14,2	92,7	3,18	2,42	15,1	93,
II	450	8	399	6,9	1,76	1,67	11,9	99,	1,98	1,71	13,6	94,7	2,32	1,83	14,8	93,7	2,74	1,99	15,7	94,1
III (C)	400	8	360	5,9	1,58	1,51	11,7	99,8	1,79	1,55	13,4	95,5	2,10	1,66	14,5	94,5	2,48	1,81	15,4	94,9
IV (C)	167	8	171	1,6	0,74	0,65	11,4	99,8	0,85	0,68	12,8	99,8	0,99	0,73	13,9	99,8	1,17	0,79	14,8	99,8
I (C)	523	9	425	8,0	1,88	1,88	12,2	99,8	2,14	2,03	13,4	95,2	2,48	2,14	14,7	93,6	2,88	2,28	15,9	92,6
II	450	9	367	5,9	1,61	1,61	12,3	99,8	1,84	1,67	13,9	96,2	2,13	1,76	15,2	94,6	2,49	1,88	16,5	93,7
III (C)	400	9	332	5,1	1,45	1,45	12,1	99,8	1,66	1,51	13,6	97,	1,93	1,60	15,0	95,4	2,25	1,71	16,2	94,5
IV (C)	167	9	154	1,3	0,67	0,62	11,8	99,8	0,78	0,65	13,3	99,8	0,89	0,68	14,7	99,8	1,07	0,75	15,6	99,8
I (C)	523	10	389	6,8	1,68	1,68	13,4	96,8	1,97	1,97	13,7	97,2	2,29	2,09	15,0	95,	2,64	2,19	16,4	93,3
II	450	10	339	5,1	1,45	1,45	13,4	98,1	1,70	1,64	14,1	98,4	1,98	1,72	15,5	96,1	2,28	1,81	16,9	94,4
III (C)	400	10	308	4,4	1,31	1,31	13,2	99,2	1,54	1,49	13,8	99,4	1,79	1,56	15,3	97,	2,07	1,65	16,6	95,2
IV (C)	167	10	146	1,2	0,60	0,60	12,2	99,8	0,72	0,63	13,6	99,8	0,85	0,68	14,8	99,8	0,97	0,71	16,3	99,8

Heating capacity

Model					Tai: 10°		Tai: 15°		Tai: 20°		Tai: 22°	
Spd	Afl m³/h	Twl °C	G l/h	Δpw kPa	Q kW	Tau °C	Q kW	Tau °C	Q kW	Tau °C	Q kW	Tau °C
I (C)	523	40	611	14,2	3,97	32,7	3,29	33,9	2,62	35,0	2,36	35,5
II	450	40	525	10,3	3,38	32,5	2,80	33,7	2,23	34,9	2,01	35,4
III (C)	400	40	474	8,8	3,06	33,0	2,54	34,1	2,02	35,2	1,82	35,6
IV (C)	167	40	218	2,2	1,45	36,1	1,20	36,6	0,96	37,2	0,86	37,5
I (C)	523	45	564	12,3	4,59	36,4	3,92	37,5	3,25	38,7	2,99	39,1
II	450	45	486	9,0	3,92	36,1	3,35	37,3	2,78	38,5	2,55	39,0
III (C)	400	45	438	7,6	3,55	36,6	3,03	37,7	2,51	38,9	2,31	39,3
IV (C)	167	45	203	2,0	1,69	40,3	1,44	40,8	1,19	41,4	1,09	41,7
I (C)	523	50	515	10,4	5,20	39,8	4,53	41,0	3,87	42,2	3,61	42,7
II	450	50	443	7,6	4,44	39,6	3,87	40,8	3,30	42,0	3,07	42,5
III (C)	400	50	400	6,5	4,02	40,2	3,50	41,3	2,99	42,4	2,79	42,9
IV (C)	167	50	187	1,7	1,92	44,4	1,67	44,9	1,42	45,5	1,32	45,8
I (C)	523	60	435	7,7	6,38	46,6	5,72	47,8	5,06	49,1	4,80	49,6
II	450	60	370	5,5	5,43	46,2	4,87	47,5	4,31	48,7	4,09	49,2
III (C)	400	60	336	4,7	4,93	46,9	4,41	48,1	3,91	49,3	3,71	49,8
IV (C)	167	60	160	1,3	2,36	52,3	2,11	52,9	1,86	53,5	1,77	53,7
I (C)	523	70	564	12,2	7,94	55,6	7,25	56,6	6,56	57,6	6,29	58,1
II	450	70	482	8,8	6,79	55,3	6,19	56,3	5,61	57,4	5,37	57,8
III (C)	400	70	438	7,7	6,18	56,4	5,64	57,3	5,10	58,3	4,89	58,7
IV (C)	167	70	211	2,1	2,98	63,5	2,71	63,7	2,45	64,0	2,35	64,2
I (C)	523	80	692	17,7	9,48	64,4	8,76	65,3	8,05	66,2	7,77	66,6
II	450	80	591	12,8	8,10	64,0	7,48	64,9	6,88	65,8	6,64	66,2
III (C)	400	80	538	11,1	7,37	65,3	6,81	66,1	6,26	66,9	6,04	67,3
IV (C)	167	80	261	3,1	3,59	74,4	3,31	74,4	3,03	74,5	2,93	74,6

- Spd** Terminal board wired fan speed.
The number in parentheses indicates the control signal Vdc led the drive motor.
- Afl** Air flow rate
- Twl** Water inlet temperature
- G** Water flow rate
- Δpw** Water side pressure drops
- Tai** Air inlet temperature
- UR** Relative humidity
- QT** Cooling capacity (total heat)
- QS** Cooling capacity (sensitive heat)
- Q** Heating capacity
- Tau** Air outlet temperature

Heating capacity additional coil KB4-4

Model					Tai: 10°		Tai: 15°		Tai: 20°		Tai: 22°	
Spd	Afl m³/h	Twl °C	G l/h	Δpw kPa	Q kW	Tau °C	Q kW	Tau °C	Q kW	Tau °C	Q kW	Tau °C
I (C)	523	60	217	10,1	3,16	28,1	2,84	31,3	2,52	34,5	2,39	35,7
II	450	60	188	6,5	2,75	28,3	2,47	31,5	2,19	34,6	2,08	35,9
III (C)	400	60	173	5,7	2,52	28,9	2,27	32,0	2,01	35,1	1,91	36,3
IV (C)	167	60	94	1,9	1,37	34,6	1,23	37,1	1,09	39,6	1,04	40,6
I (C)	523	70	284	16,4	3,97	32,8	3,64	35,9	3,30	38,9	3,17	40,2
II	450	70	247	10,6	3,46	33,0	3,16	36,1	2,87	39,1	2,75	40,4
III (C)	400	70	226	9,3	3,17	33,8	2,90	36,7	2,63	39,7	2,52	40,9
IV (C)	167	70	126	3,3	1,77	41,8	1,62	44,1	1,47	46,4	1,41	47,3
I (C)	523	80	350	24,1	4,77	37,4	4,43	40,4	4,08	43,4	3,94	44,6
II	450	80	305	15,5	4,15	37,7	3,85	40,7	3,55	43,6	3,43	44,8
III (C)	400	80	279	13,6	3,80	38,5	3,53	41,4	3,25	44,4	3,14	45,5
IV (C)	167	80	156	4,9	2,13	48,3	1,97	50,5	1,82	52,7	1,76	53,5

Yardy-I EV3 34 capacities

Cooling capacity

Model					Tai: 23°C / 47% UR				Tai: 25°C / 47% UR				Tai: 27°C / 47% UR				Tai: 29°C / 47% UR			
Spd	Afl m³/h	Twi °C	G l/h	Δpw kPa	QT kW	QS kW	Tau °C	UR %	QT kW	QS kW	Tau °C	UR %	QT kW	QS kW	Tau °C	UR %	QT kW	QS kW	Tau °C	UR %
I (C)	167	5	269	3,9	1,14	0,80	8,5	99,8	1,35	0,89	9,1	99,8	1,57	0,96	9,7	99,8	1,80	1,04	10,3	99,8
II (C)	400	5	560	12,1	2,38	1,73	10,0	99,8	2,81	1,90	10,8	99,8	3,27	2,07	11,5	99,8	3,75	2,23	12,3	99,8
III	450	5	613	14,2	2,61	1,91	10,3	99,8	3,08	2,10	11,0	99,8	3,58	2,28	11,8	99,8	4,11	2,46	12,6	99,8
IV (C)	523	5	689	17,5	2,93	2,15	10,6	99,8	3,46	2,37	11,4	99,8	4,02	2,57	12,2	99,8	4,62	2,77	13,1	99,8
I (C)	167	6	251	3,5	1,04	0,76	9,4	99,8	1,25	0,84	9,9	99,8	1,46	0,92	10,5	99,8	1,69	1,00	11,1	99,8
II (C)	400	6	519	10,5	2,20	1,66	10,6	99,8	2,57	1,79	11,5	99,8	3,02	1,96	12,3	99,8	3,49	2,12	13,1	99,8
III	450	6	568	12,4	2,41	1,83	10,8	99,8	2,82	1,98	11,8	99,8	3,31	2,16	12,6	99,8	3,83	2,34	13,4	99,8
IV (C)	523	6	638	15,3	2,70	2,07	11,1	99,8	3,17	2,23	12,2	99,8	3,72	2,44	13,0	99,8	4,30	2,64	13,9	99,8
I (C)	167	7	231	3,0	0,97	0,74	9,7	99,8	1,14	0,79	10,8	99,8	1,35	0,87	11,4	99,8	1,58	0,95	12,0	99,8
II (C)	400	7	477	9,0	2,03	1,60	11,0	99,8	2,34	1,69	12,3	99,8	2,77	1,85	13,1	99,8	3,24	2,01	13,9	99,8
III	450	7	520	10,6	2,22	1,77	11,2	99,8	2,55	1,86	12,6	99,8	3,03	2,04	13,4	99,8	3,54	2,22	14,2	99,8
IV (C)	523	7	584	13,0	2,49	2,00	11,5	99,8	2,86	2,10	12,9	99,6	3,40	2,30	13,8	99,8	3,97	2,50	14,7	99,8
I (C)	167	8	212	2,6	0,88	0,70	10,4	99,8	1,05	0,76	11,4	99,8	1,24	0,82	12,2	99,8	1,46	0,90	12,9	99,8
II (C)	400	8	430	7,5	1,84	1,53	11,5	99,8	2,16	1,64	12,7	99,8	2,51	1,74	13,9	99,8	2,96	1,90	14,8	99,8
III	450	8	470	8,8	2,01	1,69	11,7	99,8	2,36	1,80	13,0	99,8	2,74	1,92	14,2	99,8	3,23	2,09	15,1	99,8
IV (C)	523	8	527	10,8	2,26	1,91	12,0	99,8	2,65	2,03	13,3	99,8	3,07	2,16	14,6	99,5	3,62	2,35	15,5	99,8
I (C)	167	9	192	2,1	0,79	0,67	11,0	99,8	0,95	0,72	12,0	99,8	1,12	0,77	13,1	99,8	1,33	0,85	13,8	99,8
II (C)	400	9	395	6,4	1,65	1,46	12,0	99,8	1,96	1,55	13,3	99,8	2,30	1,66	14,5	99,8	2,69	1,79	15,6	99,8
III	450	9	431	7,6	1,81	1,63	12,1	99,8	2,14	1,71	13,6	99,8	2,51	1,83	14,8	99,8	2,93	1,97	15,9	99,8
IV (C)	523	9	482	9,2	2,04	1,85	12,4	99,8	2,39	1,93	13,9	99,8	2,81	2,07	15,2	99,8	3,28	2,22	16,3	99,4
I (C)	167	10	176	1,8	0,71	0,65	11,4	99,8	0,87	0,69	12,5	99,8	1,03	0,74	13,7	99,8	1,21	0,80	14,7	99,8
II (C)	400	10	363	5,5	1,48	1,38	12,6	99,8	1,77	1,49	13,8	99,8	2,11	1,61	14,9	99,8	2,47	1,71	16,2	99,8
III	450	10	395	6,5	1,62	1,53	12,8	99,8	1,94	1,66	13,9	99,8	2,30	1,77	15,2	99,8	2,69	1,88	16,4	99,8
IV (C)	523	10	442	7,9	1,82	1,72	13,1	99,8	2,18	1,87	14,3	99,8	2,57	1,99	15,6	99,8	3,00	2,12	16,8	99,8

Heating capacity

Model					Tai: 10°		Tai: 15°		Tai: 20°		Tai: 22°	
Spd	Afl m³/h	Twi °C	G l/h	Δpw kPa	Q kW	Tau °C	Q kW	Tau °C	Q kW	Tau °C	Q kW	Tau °C
I (C)	167	40	269	3,8	1,53	37,6	1,27	37,8	1,01	38,1	0,90	38,2
II (C)	400	40	560	11,5	3,17	33,8	2,62	34,7	2,09	35,7	1,87	36,1
III	450	40	613	13,6	3,58	33,9	2,97	34,8	2,36	35,7	2,12	36,1
IV (C)	523	40	690	16,8	4,19	34,0	3,47	34,9	2,76	35,9	2,48	36,2
I (C)	167	45	251	3,3	1,78	42,1	1,52	42,3	1,26	42,6	1,15	42,7
II (C)	400	45	519	10,1	3,68	37,6	3,14	38,5	2,60	39,5	2,38	39,9
III	450	45	568	11,8	4,16	37,7	3,54	38,6	2,93	39,6	2,69	40,0
IV (C)	523	45	638	14,6	4,87	37,9	4,15	38,8	3,44	39,7	3,16	40,1
I (C)	167	50	232	2,9	2,03	46,5	1,76	46,7	1,50	46,9	1,40	47,1
II (C)	400	50	476	8,6	4,18	41,4	3,64	42,3	3,10	43,3	2,89	43,7
III	450	50	520	10,1	4,72	41,5	4,11	42,4	3,50	43,3	3,26	43,7
IV (C)	523	50	584	12,4	5,53	41,7	4,81	42,6	4,10	43,5	3,82	43,9
I (C)	167	60	164	1,6	2,45	54,0	2,19	54,3	1,93	54,7	1,83	54,9
II (C)	400	60	336	4,6	5,02	47,7	4,49	48,7	3,97	49,8	3,77	50,2
III	450	60	380	5,8	5,71	48,1	5,11	49,1	4,52	50,1	4,28	50,5
IV (C)	523	60	448	7,7	6,74	48,7	6,04	49,6	5,34	50,6	5,06	51,0
I (C)	167	70	214	2,5	3,06	65,0	2,79	65,0	2,51	65,2	2,41	65,2
II (C)	400	70	440	7,5	6,27	57,1	5,72	57,9	5,17	58,7	4,95	59,1
III	450	70	496	9,3	7,09	57,3	6,46	58,1	5,84	58,9	5,59	59,3
IV (C)	523	70	581	12,3	8,33	57,8	7,60	58,6	6,87	59,4	6,58	59,7
I (C)	167	80	263	3,7	3,66	75,8	3,37	75,6	3,09	75,5	2,98	75,5
II (C)	400	80	538	10,8	7,45	65,9	6,88	66,6	6,31	67,3	6,08	67,6
III	450	80	607	13,3	8,42	66,2	7,77	66,8	7,13	67,6	6,88	67,9
IV (C)	523	80	710	17,6	9,90	66,8	9,14	67,4	8,39	68,1	8,09	68,4

- Spd** Terminal board wired fan speed.
The number in parentheses indicates the control signal Vdc led the drive motor.
- Afl** Air flow rate
- Twi** Water inlet temperature
- G** Water flow rate
- Δpw** Water side pressure drops
- Tai** Air inlet temperature
- UR** Relative humidity
- QT** Cooling capacity (total heat)
- QS** Cooling capacity (sensitive heat)
- Q** Heating capacity
- Tau** Air outlet temperature

Heating capacity additional coil KB4-4

Model					Tai: 10°		Tai: 15°		Tai: 20°		Tai: 22°	
Spd	Afl m³/h	Twi °C	G l/h	Δpw kPa	Q kW	Tau °C	Q kW	Tau °C	Q kW	Tau °C	Q kW	Tau °C
I (C)	167	60	89	1,8	1,39	35,0	1,25	37,5	1,11	39,9	1,05	40,9
II (C)	400	60	164	5,1	2,50	28,8	2,25	31,8	1,99	34,9	1,89	36,2
III	450	60	177	5,8	2,70	28,0	2,43	31,2	2,15	34,3	2,04	35,6
IV (C)	523	60	203	8,4	3,10	27,8	2,78	31,0	2,47	34,2	2,35	35,5
I (C)	167	70	120	1,9	1,69	40,3	1,54	42,7	1,40	45,1	1,34	46,1
II (C)	400	70	215	5,4	3,01	32,6	2,76	35,7	2,50	38,8	2,40	40,0
III	450	70	232	6,1	3,25	31,7	2,98	34,8	2,70	38,0	2,59	39,3
IV (C)	523	70	266	8,8	3,73	31,4	3,42	34,6	3,10	37,8	2,97	39,1
I (C)	167	80	149	1,9	1,97	45,5	1,83	47,8	1,68	50,2	1,63	51,2
II (C)	400	80	265	5,5	3,52	36,4	3,26	39,5	3,01	42,5	2,90	43,8
III	450	80	287	6,3	3,80	35,3	3,52	38,5	3,25	41,6	3,14	42,9
IV (C)	523	80	329	9,1	4,36	35,0	4,05	38,2	3,73	41,4	3,60	42,7

Yardy-I EV3 45 capacities

Cooling capacity

Model					Tai: 23°C / 47% UR				Tai: 25°C / 47% UR				Tai: 27°C / 47% UR				Tai: 29°C / 47% UR			
Spd	Afl m³/h	Twi °C	G l/h	Δpw kPa	QT kW	QS kW	Tau °C	UR %	QT kW	QS kW	Tau °C	UR %	QT kW	QS kW	Tau °C	UR %	QT kW	QS kW	Tau °C	UR %
I (C)	645	5	840	24,9	3,57	2,81	10,0	93,7	4,21	3,08	10,7	94,2	4,89	3,35	11,4	94,8	5,62	3,62	12,2	95,5
II	530	5	723	19,5	3,07	2,30	10,0	95,	3,63	2,53	10,7	95,5	4,21	2,75	11,4	96,1	4,83	2,97	12,2	96,9
III (C)	450	5	619	16,3	2,63	1,97	9,8	96,1	3,11	2,17	10,6	96,6	3,61	2,36	11,3	97,2	4,14	2,55	12,0	97,9
IV (C)	198	5	309	5,6	1,31	0,99	7,9	99,8	1,55	1,09	8,4	99,8	1,80	1,19	9,0	99,8	2,06	1,29	9,5	99,8
I (C)	645	6	778	21,7	3,23	2,64	10,7	93,4	3,86	2,91	11,5	93,8	4,53	3,18	12,2	94,3	5,24	3,44	13,0	94,9
II	530	6	669	17,0	2,78	2,16	10,8	94,8	3,32	2,39	11,5	95,1	3,90	2,61	12,2	95,6	4,51	2,82	13,0	96,2
III (C)	450	6	573	14,2	2,38	1,86	10,6	95,8	2,85	2,05	11,4	96,2	3,34	2,24	12,1	96,7	3,86	2,42	12,9	97,3
IV (C)	198	6	287	4,9	1,19	0,94	8,8	99,8	1,43	1,03	9,3	99,8	1,67	1,13	9,9	99,8	1,93	1,22	10,4	99,8
I (C)	645	7	712	18,5	2,98	2,55	11,1	95,	3,50	2,74	12,3	93,5	4,15	3,00	13,0	93,8	4,84	3,26	13,8	94,4
II	530	7	613	14,5	2,56	2,09	11,2	96,3	3,01	2,24	12,3	94,8	3,57	2,46	13,1	95,2	4,17	2,67	13,9	95,7
III (C)	450	7	525	12,1	2,19	1,79	11,1	97,3	2,58	1,93	12,2	95,9	3,06	2,11	12,9	96,3	3,57	2,29	13,7	96,7
IV (C)	198	7	264	4,2	1,13	0,92	9,0	99,8	1,30	0,98	10,2	99,8	1,54	1,07	10,8	99,8	1,80	1,16	11,4	99,8
I (C)	645	8	643	15,4	2,77	2,51	11,3	97,4	3,11	2,56	13,1	93,2	3,75	2,82	13,9	93,4	4,42	3,07	14,7	93,8
II	530	8	553	12,1	2,42	2,09	11,1	99,8	2,68	2,10	13,1	94,5	3,23	2,31	13,9	94,7	3,80	2,52	14,8	95,1
III (C)	450	8	475	10,1	2,07	1,79	11,1	99,8	2,30	1,80	13,0	95,6	2,77	1,98	13,8	95,8	3,26	2,16	14,6	96,2
IV (C)	198	8	241	3,6	1,02	0,88	9,6	99,8	1,20	0,94	10,7	99,8	1,40	1,01	11,7	99,8	1,66	1,10	12,3	99,8
I (C)	645	9	570	12,4	2,59	2,50	11,3	99,8	2,90	2,52	13,3	95,5	3,32	2,63	14,8	93,	3,97	2,87	15,6	93,3
II	530	9	491	9,7	2,21	2,04	11,5	99,8	2,49	2,06	13,3	96,8	2,86	2,16	14,8	94,4	3,41	2,36	15,7	94,6
III (C)	450	9	421	8,1	1,89	1,74	11,4	99,8	2,18	1,81	13,0	99,3	2,46	1,85	14,7	95,4	2,93	2,02	15,5	95,7
IV (C)	198	9	217	3,0	0,94	0,86	9,9	99,8	1,10	0,90	11,3	99,8	1,26	0,95	12,6	99,8	1,51	1,04	13,3	99,8
I (C)	645	10	523	10,6	2,33	2,33	12,1	99,8	2,72	2,50	13,4	98,5	3,04	2,54	15,2	94,	3,56	2,70	16,4	92,9
II	530	10	458	8,6	2,00	1,95	12,0	99,8	2,35	2,05	13,4	99,8	2,70	2,14	14,9	96,7	3,09	2,22	16,4	94,3
III (C)	450	10	400	7,4	1,71	1,67	11,9	99,8	2,02	1,76	13,3	99,8	2,33	1,84	14,7	97,8	2,67	1,92	16,2	95,4
IV (C)	198	10	201	2,6	0,85	0,83	10,3	99,8	1,01	0,88	11,7	99,8	1,17	0,92	13,1	99,8	1,37	0,98	14,1	99,8

Heating capacity

Model					Tai: 10°		Tai: 15°		Tai: 20°		Tai: 22°	
Spd	Afl m³/h	Twi °C	G l/h	Δpw kPa	Q kW	Tau °C	Q kW	Tau °C	Q kW	Tau °C	Q kW	Tau °C
I (C)	645	40	840	23,0	5,40	35,1	4,48	35,9	3,57	36,6	3,21	36,9
II	530	40	723	18,0	4,47	35,3	3,71	36,0	2,95	36,7	2,65	37,0
III (C)	450	40	619	14,9	3,83	35,5	3,17	36,2	2,53	36,8	2,27	37,1
IV (C)	198	40	309	5,2	1,85	38,1	1,53	38,2	1,22	38,5	1,09	38,6
I (C)	645	45	778	20,0	6,27	39,1	5,35	39,9	4,44	40,6	4,07	40,9
II	530	45	669	15,7	5,19	39,4	4,42	40,0	3,67	40,8	3,37	41,1
III (C)	450	45	573	13,0	4,44	39,6	3,79	40,2	3,14	40,9	2,88	41,2
IV (C)	198	45	287	4,5	2,15	42,6	1,83	42,8	1,52	43,0	1,39	43,1
I (C)	645	50	712	17,1	7,10	43,0	6,19	43,8	5,28	44,6	4,92	44,9
II	530	50	613	13,4	5,88	43,3	5,12	44,0	4,37	44,7	4,07	45,0
III (C)	450	50	525	11,1	5,04	43,6	4,38	44,2	3,74	44,9	3,48	45,2
IV (C)	198	50	264	3,9	2,44	47,0	2,12	47,2	1,81	47,4	1,69	47,5
I (C)	645	60	593	12,3	8,70	50,5	7,80	51,3	6,90	52,1	6,55	52,5
II	530	60	489	8,9	7,18	50,6	6,43	51,4	5,69	52,2	5,40	52,5
III (C)	450	60	418	7,4	6,15	51,0	5,51	51,7	4,87	52,5	4,62	52,8
IV (C)	198	60	201	2,4	2,96	54,8	2,65	55,1	2,34	55,5	2,22	55,6
I (C)	645	70	766	19,5	10,79	60,2	9,85	60,8	8,91	61,5	8,54	61,7
II	530	70	631	14,1	8,89	60,3	8,11	60,9	7,34	61,5	7,03	61,8
III (C)	450	70	540	11,7	7,61	60,7	6,94	61,3	6,28	61,9	6,02	62,1
IV (C)	198	70	263	3,9	3,72	66,3	3,39	66,3	3,06	66,3	2,93	66,4
I (C)	645	80	938	28,1	12,86	69,8	11,88	70,3	10,92	70,8	10,54	71,0
II	530	80	772	20,3	10,59	69,9	9,78	70,4	8,99	70,9	8,67	71,1
III (C)	450	80	660	16,8	9,06	70,4	8,37	70,8	7,68	71,2	7,41	71,4
IV (C)	198	80	323	5,6	4,44	77,3	4,10	77,0	3,76	76,9	3,62	76,9

- Spd** Terminal board wired fan speed.
The number in parentheses indicates the control signal Vdc led the drive motor.
- Afl** Air flow rate
- Twi** Water inlet temperature
- G** Water flow rate
- Δpw** Water side pressure drops
- Tai** Air inlet temperature
- UR** Relative humidity
- QT** Cooling capacity (total heat)
- QS** Cooling capacity (sensitive heat)
- Q** Heating capacity
- Tau** Air outlet temperature

Heating capacity additional coil KB4-4

Model					Tai: 10°		Tai: 15°		Tai: 20°		Tai: 22°	
Spd	Afl m³/h	Twi °C	G l/h	Δpw kPa	Q kW	Tau °C	Q kW	Tau °C	Q kW	Tau °C	Q kW	Tau °C
I (C)	645	60	240	2,1	3,50	26,3	3,14	29,6	2,79	33,0	2,65	34,3
II	530	60	212	1,7	3,09	27,5	2,78	30,7	2,46	33,9	2,34	35,2
III (C)	450	60	203	1,4	2,96	29,7	2,66	32,7	2,36	35,7	2,24	36,9
IV (C)	198	60	110	0,5	1,61	34,4	1,45	36,9	1,28	39,5	1,22	40,5
I (C)	645	70	326	3,7	4,56	31,2	4,18	34,4	3,79	37,6	3,64	38,9
II	530	70	292	3,1	4,09	33,2	3,75	36,2	3,40	39,2	3,26	40,5
III (C)	450	70	283	2,6	3,96	36,4	3,63	39,2	3,29	41,9	3,16	43,0
IV (C)	198	70	153	0,9	2,15	42,5	1,96	44,7	1,78	47,0	1,71	47,9
I (C)	645	80	404	5,5	5,51	35,6	5,11	38,7	4,71	41,9	4,55	43,1
II	530	80	362	4,6	4,94	38,0	4,58	40,9	4,22	43,9	4,07	45,1
III (C)	450	80	351	3,8	4,79	41,9	4,44	44,6	4,09	47,3	3,95	48,3
IV (C)	198	80	196	1,4	2,67	50,5	2,47	52,5	2,28	54,5	2,20	55,3

Yardy-I EV3 48 capacities

Cooling capacity

Model					Tai: 23°C / 47% UR				Tai: 25°C / 47% UR				Tai: 27°C / 47% UR				Tai: 29°C / 47% UR			
Spd	Afl m³/h	Twi °C	G l/h	Δpw kPa	QT kW	QS kW	Tau °C	UR %	QT kW	QS kW	Tau °C	UR %	QT kW	QS kW	Tau °C	UR %	QT kW	QS kW	Tau °C	UR %
I (C)	198	5	348	5,8	1,47	1,03	7,4	99,8	1,74	1,13	7,9	99,8	2,02	1,23	8,3	99,8	2,31	1,33	8,8	99,8
II (C)	450	5	708	20,2	2,99	2,12	8,9	99,8	3,53	2,33	9,5	99,8	4,11	2,54	10,1	99,8	4,71	2,74	10,7	99,8
III	530	5	809	25,1	3,42	2,42	9,3	99,8	4,04	2,66	9,9	99,8	4,69	2,90	10,6	99,8	5,38	3,13	11,3	99,8
IV (C)	645	5	943	27,1	3,98	2,86	9,7	99,8	4,71	3,14	10,4	99,8	5,47	3,42	11,1	99,8	6,27	3,70	11,8	99,8
I (C)	198	6	323	5,0	1,34	0,97	8,3	99,8	1,60	1,07	8,8	99,8	1,88	1,17	9,3	99,8	2,18	1,27	9,7	99,8
II (C)	450	6	652	17,5	2,71	1,99	9,7	99,8	3,24	2,20	10,3	99,8	3,81	2,41	11,0	99,8	4,40	2,61	11,6	99,8
III	530	6	745	21,6	3,09	2,27	10,1	99,8	3,70	2,51	10,8	99,8	4,35	2,75	11,5	99,8	5,02	2,97	12,2	99,8
IV (C)	645	6	868	23,3	3,60	2,69	10,5	99,8	4,32	2,97	11,2	99,8	5,07	3,24	11,9	99,8	5,86	3,51	12,7	99,8
I (C)	198	7	298	4,4	1,24	0,93	9,0	99,8	1,47	1,01	9,7	99,8	1,74	1,11	10,2	99,8	2,03	1,21	10,7	99,8
II (C)	450	7	599	15,0	2,53	1,94	10,1	99,8	2,94	2,07	11,2	99,8	3,49	2,27	11,9	99,8	4,08	2,47	12,5	99,8
III	530	7	683	18,5	2,83	2,18	10,7	99,8	3,35	2,36	11,6	99,8	3,98	2,59	12,3	99,8	4,65	2,82	13,1	99,8
IV (C)	645	7	798	20,1	3,31	2,58	11,0	99,8	3,91	2,79	12,0	99,8	4,65	3,06	12,8	99,8	5,42	3,33	13,5	99,8
I (C)	198	8	273	3,7	1,14	0,89	9,5	99,8	1,35	0,97	10,3	99,8	1,59	1,05	11,1	99,8	1,88	1,15	11,6	99,8
II (C)	450	8	543	12,6	2,30	1,87	10,6	99,8	2,69	1,98	11,8	99,8	3,16	2,13	12,8	99,8	3,73	2,33	13,5	99,8
III	530	8	618	15,5	2,63	2,14	10,9	99,8	3,07	2,26	12,2	99,8	3,60	2,43	13,2	99,8	4,25	2,65	14,0	99,8
IV (C)	645	8	720	16,7	3,08	2,53	11,2	99,8	3,49	2,61	12,9	99,8	4,21	2,88	13,6	99,8	4,96	3,14	14,4	99,8
I (C)	198	9	247	3,1	1,02	0,85	10,1	99,8	1,23	0,92	11,0	99,8	1,44	0,99	12,1	99,8	1,72	1,08	12,6	99,8
II (C)	450	9	488	10,4	2,07	1,80	11,0	99,8	2,46	1,91	12,3	99,8	2,89	2,04	13,4	99,8	3,38	2,19	14,4	99,8
III	530	9	554	12,7	2,37	2,06	11,3	99,8	2,81	2,18	12,7	99,8	3,22	2,28	14,1	99,8	3,85	2,49	14,9	99,8
IV (C)	645	9	642	13,6	2,77	2,44	11,6	99,8	3,22	2,53	13,2	99,8	3,74	2,69	14,5	99,7	4,47	2,94	15,3	99,8
I (C)	198	10	228	2,7	0,91	0,82	10,6	99,8	1,11	0,88	11,7	99,8	1,32	0,94	12,7	99,8	1,56	1,02	13,5	99,8
II (C)	450	10	453	9,1	1,84	1,71	11,6	99,8	2,24	1,83	12,8	99,8	2,64	1,95	14,0	99,8	3,06	2,06	15,2	99,8
III	530	10	516	11,2	2,11	1,96	11,9	99,8	2,55	2,10	13,1	99,8	3,00	2,22	14,4	99,8	3,47	2,35	15,7	99,8
IV (C)	645	10	601	12,1	2,48	2,33	12,2	99,8	2,96	2,45	13,6	99,8	3,50	2,63	14,8	99,8	4,04	2,77	16,1	99,7

Heating capacity

Model					Tai: 10°		Tai: 15°		Tai: 20°		Tai: 22°	
Spd	Afl m³/h	Twi °C	G l/h	Δpw kPa	Q kW	Tau °C	Q kW	Tau °C	Q kW	Tau °C	Q kW	Tau °C
I (C)	198	40	346	5,4	1,94	39,4	1,61	39,3	1,28	39,3	1,14	39,3
II (C)	450	40	703	19,0	4,02	36,8	3,33	37,2	2,64	37,6	2,37	37,8
III	530	40	803	23,5	4,69	36,6	3,89	37,0	3,09	37,5	2,77	37,7
IV (C)	645	40	936	25,4	5,66	36,3	4,69	36,8	3,73	37,4	3,35	37,6
I (C)	198	45	323	4,8	2,26	44,2	1,92	44,1	1,59	44,1	1,46	44,1
II (C)	450	45	652	16,6	4,67	41,1	3,98	41,5	3,29	41,9	3,02	42,1
III	530	45	745	20,5	5,45	40,8	4,64	41,3	3,85	41,8	3,53	42,0
IV (C)	645	45	868	22,2	6,57	40,6	5,60	41,1	4,64	41,6	4,26	41,8
I (C)	198	50	299	4,2	2,57	49,0	2,23	48,8	1,90	48,8	1,77	48,8
II (C)	450	50	599	14,3	5,31	45,4	4,61	45,8	3,93	46,2	3,66	46,4
III	530	50	683	17,6	6,20	45,1	5,39	45,5	4,59	46,0	4,28	46,2
IV (C)	645	50	797	19,0	7,47	44,8	6,50	45,2	5,54	45,8	5,16	46,0
I (C)	198	60	207	2,2	3,11	57,2	2,78	57,1	2,45	57,2	2,32	57,2
II (C)	450	60	429	7,8	6,46	53,1	5,78	53,5	5,11	54,1	4,84	54,3
III	530	60	503	10,1	7,56	52,8	6,76	53,3	5,98	53,8	5,67	54,1
IV (C)	645	60	606	11,6	9,14	52,5	8,18	53,0	7,23	53,6	6,85	53,9
I (C)	198	70	269	3,5	3,87	68,6	3,52	68,3	3,17	68,1	3,04	68,0
II (C)	450	70	554	12,4	7,95	63,0	7,24	63,3	6,54	63,6	6,26	63,7
III	530	70	646	15,9	9,29	62,6	8,46	62,9	7,65	63,3	7,32	63,5
IV (C)	645	70	778	18,2	11,23	62,3	10,24	62,6	9,25	63,0	8,86	63,2
I (C)	198	80	330	5,0	4,60	79,7	4,23	79,2	3,88	78,7	3,74	78,6
II (C)	450	80	676	17,7	9,41	72,7	8,68	72,9	7,96	73,1	7,67	73,2
III	530	80	787	22,7	11,00	72,3	10,15	72,5	9,31	72,7	8,98	72,8
IV (C)	645	80	945	25,9	13,31	71,9	12,28	72,1	11,27	72,4	10,87	72,5

- Spd** Terminal board wired fan speed.
The number in parentheses indicates the control signal Vdc led the drive motor.
- Afl** Air flow rate
- Twi** Water inlet temperature
- G** Water flow rate
- Δpw** Water side pressure drops
- Tai** Air inlet temperature
- UR** Relative humidity
- QT** Cooling capacity (total heat)
- QS** Cooling capacity (sensitive heat)
- Q** Heating capacity
- Tau** Air outlet temperature

Heating capacity additional coil KB4-4

Model					Tai: 10°		Tai: 15°		Tai: 20°		Tai: 22°	
Spd	Afl m³/h	Twi °C	G l/h	Δpw kPa	Q kW	Tau °C	Q kW	Tau °C	Q kW	Tau °C	Q kW	Tau °C
I (C)	198	60	105	0,5	1,67	35,3	1,50	37,7	1,33	40,1	1,26	41,1
II (C)	450	60	193	1,3	3,11	30,7	2,79	33,6	2,48	36,5	2,35	37,7
III	530	60	201	1,7	3,21	28,2	2,89	31,3	2,56	34,5	2,43	35,8
IV (C)	645	60	228	2,1	3,59	26,7	3,23	30,0	2,86	33,3	2,72	34,7
I (C)	198	70	145	0,6	2,04	40,9	1,86	43,2	1,69	45,6	1,62	46,6
II (C)	450	70	269	1,4	3,77	35,1	3,45	38,0	3,13	40,9	3,00	42,0
III	530	70	277	1,8	3,89	32,0	3,56	35,1	3,23	38,3	3,10	39,5
IV (C)	645	70	309	2,2	4,33	30,2	3,97	33,4	3,60	36,7	3,45	38,1
I (C)	198	80	186	0,6	2,39	46,1	2,21	48,5	2,03	50,8	1,96	51,7
II (C)	450	80	334	1,4	4,41	39,4	4,09	42,3	3,77	45,1	3,64	46,3
III	530	80	344	1,9	4,55	35,8	4,22	38,9	3,89	42,0	3,76	43,3
IV (C)	645	80	384	2,3	5,07	33,6	4,70	36,9	4,33	40,2	4,19	41,5

Yardy-I EV3 60 capacities

Cooling capacity

Model					Tai: 23°C / 47% UR				Tai: 25°C / 47% UR				Tai: 27°C / 47% UR				Tai: 29°C / 47% UR			
Spd	Afl m³/h	Twi °C	G l/h	Δpw kPa	QT kW	QS kW	Tau °C	UR %	QT kW	QS kW	Tau °C	UR %	QT kW	QS kW	Tau °C	UR %	QT kW	QS kW	Tau °C	UR %
I (C)	1235	5	1309	13,1	5,56	4,70	11,6	91,2	6,57	5,15	12,5	91,6	7,63	5,59	13,4	92,1	8,75	6,02	14,4	92,7
II	1080	5	1187	11,2	5,04	4,29	11,1	92,1	5,95	4,70	12,0	92,5	6,92	5,10	12,8	93,	7,93	5,49	13,7	93,6
III (C)	780	5	948	7,4	4,03	3,31	10,3	94,3	4,76	3,63	11,1	94,7	5,53	3,93	11,9	95,2	6,34	4,24	12,7	95,7
IV (C)	256	5	358	1,7	1,52	1,19	9,1	99,8	1,80	1,30	9,7	99,8	2,09	1,42	10,4	99,8	2,39	1,53	11,0	99,8
I (C)	1235	6	1204	11,3	5,00	4,41	12,3	91,	5,98	4,86	13,2	91,3	7,02	5,29	14,1	91,6	8,11	5,71	15,1	92,1
II	1080	6	1091	9,6	4,64	4,13	11,5	93,3	5,42	4,43	12,7	92,2	6,36	4,82	13,6	92,5	7,35	5,21	14,5	93,
III (C)	780	6	872	6,4	3,71	3,18	10,8	95,3	4,33	3,42	11,8	94,3	5,08	3,72	12,7	94,7	5,88	4,02	13,5	95,2
IV (C)	256	6	333	1,5	1,42	1,15	9,6	99,8	1,65	1,24	10,5	99,8	1,94	1,35	11,2	99,8	2,24	1,46	11,9	99,8
I (C)	1235	7	1093	9,5	4,75	4,42	12,3	94,3	5,37	4,56	13,9	91,	6,37	4,98	14,9	91,2	7,44	5,39	15,9	91,6
II	1080	7	990	8,1	4,29	4,02	11,8	95,	4,86	4,16	13,5	91,9	5,77	4,54	14,4	92,1	6,74	4,92	15,3	92,5
III (C)	780	7	793	5,4	3,47	3,14	10,9	98,3	3,89	3,21	12,6	94,	4,62	3,51	13,5	94,3	5,39	3,80	14,4	94,7
IV (C)	256	7	307	1,3	1,30	1,10	10,1	99,8	1,51	1,17	11,3	99,8	1,79	1,28	12,0	99,8	2,09	1,39	12,7	99,8
I (C)	1235	8	977	7,8	4,35	4,31	12,5	96,3	4,95	4,44	14,2	92,7	5,69	4,67	15,7	90,9	6,71	5,06	16,7	91,1
II	1080	8	885	6,6	3,93	3,91	12,2	96,9	4,48	4,04	13,8	93,4	5,16	4,25	15,2	91,8	6,08	4,62	16,2	92,
III (C)	780	8	710	4,4	3,13	2,99	11,5	98,7	3,64	3,16	12,8	96,6	4,14	3,29	14,3	94,	4,88	3,57	15,3	94,2
IV (C)	256	8	280	1,1	1,20	1,07	10,5	99,8	1,39	1,12	11,8	99,8	1,63	1,21	12,8	99,8	1,93	1,32	13,6	99,8
I (C)	1235	9	890	6,6	3,96	3,96	13,4	97,3	4,53	4,28	14,6	93,5	5,18	4,46	16,2	91,4	6,04	4,77	17,4	90,8
II	1080	9	808	5,6	3,57	3,57	13,1	97,9	4,10	3,89	14,2	94,2	4,77	4,14	15,5	93,2	5,48	4,35	16,9	91,7
III (C)	780	9	663	3,9	2,86	2,86	12,0	99,8	3,33	3,06	13,2	97,7	3,86	3,21	14,6	95,4	4,44	3,39	16,0	93,9
IV (C)	256	9	260	1,0	1,10	1,04	10,8	99,8	1,30	1,10	12,1	99,8	1,52	1,17	13,3	99,8	1,77	1,25	14,4	99,8
I (C)	1235	10	818	5,6	3,52	3,52	14,5	92,3	4,14	4,14	14,9	94,8	4,76	4,33	16,5	92,3	5,51	4,57	17,9	91,2
II	1080	10	745	4,9	3,18	3,18	14,2	92,9	3,75	3,75	14,6	95,5	4,36	4,00	15,9	94,1	5,00	4,17	17,4	92,
III (C)	780	10	603	3,3	2,54	2,54	13,2	95,	3,00	2,92	13,8	97,6	3,51	3,09	15,1	96,1	4,09	3,28	16,4	95,
IV (C)	256	10	238	0,8	0,98	0,98	11,5	99,8	1,18	1,06	12,6	99,8	1,39	1,12	13,9	99,8	1,60	1,18	15,2	99,8

Heating capacity

Model					Tai: 10°		Tai: 15°		Tai: 20°		Tai: 22°	
Spd	Afl m³/h	Twi °C	G l/h	Δpw kPa	Q kW	Tau °C	Q kW	Tau °C	Q kW	Tau °C	Q kW	Tau °C
I (C)	1235	40	1309	12,2	8,60	30,9	7,14	32,3	5,69	33,8	5,11	34,4
II	1080	40	1187	10,4	7,83	31,8	6,50	33,1	5,18	34,4	4,65	34,9
III (C)	780	40	948	6,9	6,23	34,0	5,17	34,9	4,12	35,8	3,70	36,2
IV (C)	256	40	358	1,6	2,29	36,9	1,90	37,3	1,51	37,7	1,36	37,9
I (C)	1235	45	1204	10,5	9,95	34,2	8,50	35,6	7,05	37,1	6,48	37,7
II	1080	45	1091	8,9	9,06	35,2	7,74	36,5	6,42	37,8	5,90	38,4
III (C)	780	45	872	5,9	7,22	37,8	6,16	38,7	5,11	39,7	4,69	40,0
IV (C)	256	45	333	1,4	2,66	41,2	2,27	41,6	1,88	42,0	1,73	42,2
I (C)	1235	50	1093	8,8	11,26	37,3	9,81	38,8	8,38	40,4	7,81	41,0
II	1080	50	990	7,5	10,25	38,5	8,94	39,8	7,63	41,2	7,11	41,8
III (C)	780	50	793	5,0	8,16	41,4	7,11	42,3	6,07	43,3	5,65	43,7
IV (C)	256	50	307	1,2	3,02	45,4	2,63	45,8	2,24	46,2	2,09	46,4
I (C)	1235	60	944	6,8	13,84	43,6	12,41	45,1	10,99	46,7	10,43	47,3
II	1080	60	860	5,8	12,62	45,0	11,31	46,4	10,02	47,8	9,50	48,4
III (C)	780	60	684	3,8	10,04	48,6	9,00	49,6	7,97	50,6	7,56	51,1
IV (C)	256	60	250	0,8	3,68	53,2	3,30	53,6	2,91	54,1	2,76	54,4
I (C)	1235	70	1226	10,8	17,26	51,9	15,76	53,3	14,27	54,7	13,68	55,2
II	1080	70	1117	9,3	15,73	53,7	14,36	54,9	13,00	56,1	12,46	56,6
III (C)	780	70	900	6,3	12,69	58,8	11,58	59,5	10,48	60,3	10,04	60,6
IV (C)	256	70	332	1,4	4,69	65,0	4,28	65,1	3,86	65,3	3,70	65,4
I (C)	1235	80	1508	15,7	20,64	60,1	19,09	61,4	17,55	62,6	16,94	63,1
II	1080	80	1372	13,5	18,80	62,2	17,38	63,3	15,98	64,4	15,42	64,8
III (C)	780	80	1105	9,1	15,15	68,3	14,00	68,8	12,86	69,5	12,41	69,7
IV (C)	256	80	413	2,0	5,69	76,6	5,24	76,4	4,81	76,3	4,64	76,3

- Spd** Terminal board wired fan speed.
The number in parentheses indicates the control signal Vdc led the drive motor.

- Afl** Air flow rate

- Twi** Water inlet temperature

- G** Water flow rate

- Δpw** Water side pressure drops

- Tai** Air inlet temperature

- UR** Relative humidity

- QT** Cooling capacity (total heat)

- QS** Cooling capacity (sensitive heat)

- Q** Heating capacity

- Tau** Air outlet temperature

Heating capacity additional coil KB4-4

Model					Tai: 10°		Tai: 15°		Tai: 20°		Tai: 22°	
Spd	Afl m³/h	Twi °C	G l/h	Δpw kPa	Q kW	Tau °C	Q kW	Tau °C	Q kW	Tau °C	Q kW	Tau °C
I (C)	1235	60	412	7,2	6,00	24,6	5,40	28,1	4,79	31,6	4,55	33,1
II	1080	60	375	6,2	5,46	25,2	4,91	28,6	4,36	32,1	4,14	33,5
III (C)	780	60	346	5,3	5,04	29,4	4,53	32,4	4,02	35,5	3,82	36,7
IV (C)	256	60	157	1,6	2,28	36,8	2,05	39,0	1,82	41,3	1,73	42,2
I (C)	1235	70	540	11,8	7,57	28,4	6,93	31,8	6,29	35,3	6,03	36,7
II	1080	70	491	10,1	6,88	29,1	6,30	32,5	5,72	35,9	5,49	37,2
III (C)	780	70	453	8,6	6,35	34,4	5,81	37,3	5,27	40,3	5,06	41,4
IV (C)	256	70	214	2,8	3,00	45,2	2,75	47,2	2,49	49,2	2,39	50,0
I (C)	1235	80	669	17,3	9,11	32,1	8,45	35,5	7,79	38,9	7,52	40,3
II	1080	80	608	14,8	8,28	33,0	7,68	36,3	7,08	39,7	6,84	41,0
III (C)	780	80	560	12,6	7,63	39,3	7,07	42,2	6,52	45,1	6,29	46,2
IV (C)	256	80	269	4,2	3,67	53,0	3,40	54,8	3,13	56,6	3,02	57,4

Yardy-I EV3 74 capacities

Cooling capacity

Model					Tai: 23°C / 47% UR				Tai: 25°C / 47% UR				Tai: 27°C / 47% UR				Tai: 29°C / 47% UR			
Spd	Afl m³/h	Twl °C	G l/h	Δpw kPa	QT kW	QS kW	Tau °C	UR %	QT kW	QS kW	Tau °C	UR %	QT kW	QS kW	Tau °C	UR %	QT kW	QS kW	Tau °C	UR %
I (C)	256	5	420	2,6	1,79	1,26	8,3	99,8	2,11	1,38	8,8	99,8	2,45	1,51	9,3	99,8	2,81	1,63	9,9	99,8
II (C)	780	5	1074	8,7	4,57	3,34	10,2	99,8	5,40	3,66	10,9	99,8	6,27	3,98	11,7	99,8	7,20	4,28	12,5	99,8
III	1080	5	1375	13,5	5,85	4,33	11,0	99,	6,91	4,75	11,8	99,3	8,03	5,16	12,7	99,8	9,22	5,57	13,5	99,8
IV (C)	1235	5	1516	15,9	6,45	4,81	11,3	98,1	7,62	5,28	12,2	98,5	8,86	5,74	13,1	99,	10,16	6,18	14,0	99,6
I (C)	256	6	392	2,3	1,66	1,21	8,9	99,8	1,95	1,31	9,6	99,8	2,28	1,43	10,2	99,8	2,64	1,56	10,8	99,8
II (C)	780	6	992	7,5	4,25	3,23	10,6	99,8	4,92	3,45	11,7	99,8	5,78	3,76	12,5	99,8	6,68	4,07	13,4	99,8
III	1080	6	1268	11,6	5,37	4,14	11,5	99,7	6,29	4,48	12,6	99,	7,39	4,88	13,4	99,4	8,54	5,28	14,3	99,8
IV (C)	1235	6	1399	13,8	5,92	4,61	11,8	99,	6,94	4,98	12,9	98,2	8,15	5,43	13,8	98,6	9,42	5,86	14,8	99,
I (C)	256	7	361	2,0	1,52	1,15	9,5	99,8	1,78	1,24	10,5	99,8	2,11	1,36	11,1	99,8	2,46	1,48	11,7	99,8
II (C)	780	7	905	6,4	3,87	3,10	11,1	99,8	4,51	3,29	12,3	99,8	5,27	3,55	13,3	99,8	6,15	3,85	14,2	99,8
III	1080	7	1154	9,8	4,92	3,98	11,9	99,8	5,75	4,27	13,1	99,6	6,72	4,60	14,2	99,	7,84	4,98	15,2	99,3
IV (C)	1235	7	1272	11,6	5,43	4,44	12,2	99,8	6,24	4,67	13,6	97,9	7,42	5,11	14,6	98,1	8,66	5,54	15,5	98,5
I (C)	256	8	331	1,7	1,38	1,10	10,1	99,8	1,64	1,18	11,1	99,8	1,93	1,28	11,9	99,8	2,28	1,40	12,6	99,8
II (C)	780	8	831	5,5	3,49	2,95	11,6	99,8	4,14	3,17	12,8	99,8	4,84	3,39	14,0	99,8	5,62	3,64	15,0	99,8
III	1080	8	1033	8,0	4,44	3,82	12,4	99,8	5,23	4,09	13,6	99,8	6,02	4,31	15,0	98,6	7,10	4,68	16,0	98,9
IV (C)	1235	8	1138	9,5	4,90	4,26	12,6	99,8	5,71	4,49	14,1	98,9	6,63	4,79	15,4	97,7	7,82	5,20	16,4	98,
I (C)	256	9	307	1,5	1,24	1,05	10,7	99,8	1,49	1,13	11,8	99,8	1,79	1,23	12,6	99,8	2,09	1,33	13,4	99,8
II (C)	780	9	752	4,6	3,11	2,83	12,1	99,8	3,72	3,01	13,4	99,8	4,38	3,21	14,6	99,8	5,14	3,46	15,7	99,8
III	1080	9	955	7,0	3,99	3,68	12,8	99,8	4,72	3,87	14,2	99,8	5,56	4,16	15,4	99,5	6,43	4,42	16,7	98,5
IV (C)	1235	9	1053	8,2	4,41	4,11	13,0	99,8	5,21	4,31	14,5	99,5	6,13	4,63	15,8	98,8	7,09	4,91	17,1	97,6
I (C)	256	10	280	1,3	1,10	1,00	11,2	99,8	1,35	1,08	12,3	99,8	1,63	1,17	13,2	99,8	1,90	1,25	14,3	99,8
II (C)	780	10	678	3,8	2,77	2,57	13,1	99,8	3,32	2,86	14,0	99,8	3,95	3,06	15,2	99,8	4,64	3,28	16,4	99,8
III	1080	10	857	5,7	3,52	3,32	13,8	98,1	4,21	3,69	14,7	99,8	4,99	3,95	16,0	99,7	5,85	4,23	17,3	99,
IV (C)	1235	10	945	6,8	3,90	3,70	14,0	97,5	4,65	4,11	15,0	99,8	5,50	4,40	16,3	99,1	6,45	4,70	17,6	98,3

Heating capacity

Model					Tai: 10°		Tai: 15°		Tai: 20°		Tai: 22°	
Spd	Afl m³/h	Twl °C	G l/h	Δpw kPa	Q kW	Tau °C	Q kW	Tau °C	Q kW	Tau °C	Q kW	Tau °C
I (C)	256	40	420	2,5	2,45	38,8	2,03	38,8	1,61	38,9	1,45	39,0
II (C)	780	40	1075	8,2	6,55	35,2	5,43	35,9	4,32	36,6	3,88	36,9
III	1080	40	1376	12,7	8,19	32,7	6,79	33,9	5,40	35,0	4,85	35,5
IV (C)	1235	40	1517	15,1	9,00	31,9	7,47	33,1	5,94	34,4	5,34	35,0
I (C)	256	45	392	2,2	2,86	43,5	2,43	43,5	2,01	43,5	1,84	43,6
II (C)	780	45	992	7,1	7,61	39,3	6,48	39,9	5,37	40,7	4,93	41,0
III	1080	45	1268	11,0	9,50	36,4	8,10	37,5	6,71	38,6	6,16	39,1
IV (C)	1235	45	1399	13,1	10,45	35,4	8,91	36,6	7,39	37,9	6,78	38,5
I (C)	256	50	362	1,9	3,25	48,1	2,82	48,1	2,40	48,1	2,23	48,2
II (C)	780	50	905	6,0	8,63	43,2	7,51	43,9	6,40	44,6	5,96	44,9
III	1080	50	1153	9,3	10,78	39,9	9,38	41,1	8,00	42,2	7,45	42,7
IV (C)	1235	50	1272	11,0	11,85	38,8	10,32	40,1	8,80	41,4	8,20	41,9
I (C)	256	60	260	1,0	3,92	55,9	3,50	56,0	3,09	56,2	2,93	56,3
II (C)	780	60	685	3,7	10,46	50,2	9,36	51,0	8,27	51,8	7,84	52,2
III	1080	60	856	5,4	13,08	46,3	11,71	47,5	10,36	48,8	9,82	49,3
IV (C)	1235	60	940	6,4	14,36	44,9	12,87	46,3	11,38	47,6	10,79	48,2
I (C)	256	70	341	1,7	4,93	67,7	4,48	67,5	4,04	67,4	3,87	67,3
II (C)	780	70	900	6,0	13,07	60,3	11,91	60,8	10,76	61,4	10,31	61,6
III	1080	70	1104	8,6	16,20	55,0	14,77	56,0	13,36	57,1	12,80	57,6
IV (C)	1235	70	1203	10,0	17,79	53,2	16,23	54,4	14,68	55,7	14,06	56,2
I (C)	256	80	423	2,5	5,91	79,3	5,45	78,8	4,99	78,4	4,80	78,3
II (C)	780	80	1093	8,5	15,51	69,7	14,31	70,0	13,13	70,5	12,66	70,7
III	1080	80	1333	12,0	19,26	63,5	17,79	64,4	16,33	65,4	15,75	65,8
IV (C)	1235	80	1449	13,9	21,16	61,4	19,55	62,5	17,95	63,6	17,32	64,1

- Spd** Terminal board wired fan speed.
The number in parentheses indicates the control signal Vdc led the drive motor.
- Afl** Air flow rate
- Twl** Water inlet temperature
- G** Water flow rate
- Δpw** Water side pressure drops
- Tai** Air inlet temperature
- UR** Relative humidity
- QT** Cooling capacity (total heat)
- QS** Cooling capacity (sensitive heat)
- Q** Heating capacity
- Tau** Air outlet temperature

Heating capacity additional coil KB4-4

Model					Tai: 10°		Tai: 15°		Tai: 20°		Tai: 22°	
Spd	Afl m³/h	Twl °C	G l/h	Δpw kPa	Q kW	Tau °C	Q kW	Tau °C	Q kW	Tau °C	Q kW	Tau °C
I (C)	256	60	149	1,4	2,35	37,6	2,11	39,8	1,87	42,0	1,78	42,8
II (C)	780	60	328	4,3	5,01	29,3	4,50	32,3	3,99	35,4	3,79	36,6
III	1080	60	355	6,2	5,42	25,1	4,87	28,5	4,33	32,0	4,11	33,4
IV (C)	1235	60	391	7,2	5,97	24,5	5,37	28,0	4,76	31,6	4,52	33,0
I (C)	256	70	204	1,5	2,86	43,5	2,61	45,6	2,37	47,8	2,27	48,6
II (C)	780	70	430	4,5	6,03	33,2	5,52	36,2	5,01	39,3	4,81	40,5
III	1080	70	466	6,6	6,54	28,2	5,98	31,6	5,43	35,1	5,21	36,5
IV (C)	1235	70	514	7,6	7,20	27,5	6,59	31,0	5,98	34,5	5,74	35,9
I (C)	256	80	256	1,5	3,34	49,2	3,10	51,3	2,85	53,4	2,75	54,2
II (C)	780	80	532	4,7	7,06	37,1	6,54	40,2	6,03	43,2	5,82	44,4
III	1080	80	577	6,8	7,65	31,2	7,09	34,7	6,53	38,1	6,31	39,5
IV (C)	1235	80	636	7,9	8,42	30,5	7,81	34,0	7,19	37,5	6,95	38,9

Yardy-I EV3 80 capacities

Cooling capacity

Model					Tai: 23°C / 47% UR				Tai: 25°C / 47% UR				Tai: 27°C / 47% UR				Tai: 29°C / 47% UR			
Spd	Afl m³/h	Twi °C	G l/h	Δpw kPa	QT kW	QS kW	Tau °C	UR %	QT kW	QS kW	Tau °C	UR %	QT kW	QS kW	Tau °C	UR %	QT kW	QS kW	Tau °C	UR %
I (C)	1503	5	1718	28,7	7,32	6,44	10,1	89,9	8,64	7,06	10,9	90,3	10,04	7,67	11,7	90,8	11,52	8,26	12,5	91,4
II	1350	5	1520	25,6	6,46	5,67	10,4	90,6	7,63	6,21	11,2	91,	8,86	6,74	12,0	91,5	10,17	7,26	12,9	92,1
III (C)	965	5	1218	11,6	5,17	4,27	9,7	92,9	6,11	4,68	10,5	93,2	7,10	5,08	11,2	93,7	8,14	5,47	12,0	94,3
IV (C)	300	5	423	1,7	1,80	1,53	7,7	99,8	2,12	1,68	8,2	99,8	2,46	1,83	8,7	99,8	2,83	1,97	9,3	99,8
I (C)	1503	6	1584	24,8	6,58	6,06	10,9	89,6	7,88	6,67	11,7	89,9	9,24	7,26	12,5	90,3	10,69	7,84	13,3	90,8
II	1350	6	1400	22,1	5,81	5,32	11,2	90,4	6,95	5,86	12,0	90,7	8,16	6,38	12,8	91,	9,43	6,89	13,7	91,5
III (C)	965	6	1119	10,0	4,76	4,11	10,2	94,	5,56	4,41	11,3	92,9	6,52	4,80	12,1	93,3	7,54	5,18	12,9	93,8
IV (C)	300	6	393	1,5	1,67	1,48	8,2	99,8	1,95	1,59	9,1	99,8	2,29	1,74	9,6	99,8	2,65	1,88	10,2	99,8
I (C)	1503	7	1442	20,9	6,16	5,96	11,1	91,8	7,08	6,26	12,5	89,6	8,41	6,84	13,3	89,9	9,81	7,41	14,2	90,3
II	1350	7	1272	18,6	5,53	5,34	11,1	93,8	6,25	5,50	12,8	90,4	7,42	6,01	13,6	90,6	8,65	6,51	14,5	91,
III (C)	965	7	1016	8,4	4,40	3,99	10,6	95,7	4,99	4,14	12,1	92,6	5,92	4,52	12,9	92,9	6,91	4,90	13,8	93,3
IV (C)	300	7	362	1,3	1,56	1,45	8,5	99,8	1,78	1,51	9,9	99,8	2,11	1,65	10,5	99,8	2,46	1,79	11,1	99,8
I (C)	1503	8	1290	17,1	5,71	5,71	11,6	93,9	6,42	5,99	13,1	90,4	7,52	6,41	14,2	89,6	8,86	6,96	15,1	89,8
II	1350	8	1137	15,2	5,08	5,08	11,7	95,9	5,77	5,36	13,1	92,1	6,63	5,63	14,5	90,3	7,81	6,11	15,4	90,6
III (C)	965	8	908	6,9	4,02	3,87	11,0	97,5	4,60	4,02	12,5	94,1	5,29	4,24	13,8	92,5	6,24	4,60	14,7	92,8
IV (C)	300	8	330	1,1	1,43	1,40	9,0	99,8	1,67	1,48	10,2	99,8	1,92	1,56	11,4	99,8	2,27	1,70	12,0	99,8
I (C)	1503	9	1177	14,5	5,27	5,27	12,5	96,5	6,01	5,92	13,2	92,5	6,85	6,15	14,7	90,2	7,99	6,56	15,9	89,5
II	1350	9	1036	12,9	4,62	4,62	12,7	96,9	5,28	5,18	13,5	93,1	6,03	5,39	15,0	90,9	7,03	5,75	16,2	90,2
III (C)	965	9	849	6,1	3,68	3,68	11,6	99,	4,24	3,89	12,9	95,1	4,94	4,14	14,1	94,	5,68	4,36	15,5	92,5
IV (C)	300	9	306	1,0	1,30	1,30	10,0	99,8	1,53	1,41	10,9	99,8	1,78	1,50	12,0	99,8	2,08	1,61	12,9	99,8
I (C)	1503	10	1086	12,6	4,69	4,69	13,6	91,6	5,47	5,47	14,1	92,7	6,32	5,98	15,1	91,3	7,30	6,30	16,4	90,
II	1350	10	954	11,1	4,11	4,11	13,9	92,	4,84	4,84	14,3	94,5	5,55	5,23	15,4	91,8	6,42	5,52	16,7	90,7
III (C)	965	10	772	5,1	3,27	3,27	12,8	93,7	3,85	3,77	13,3	96,3	4,49	3,99	14,6	94,8	5,16	4,16	16,1	92,8
IV (C)	300	10	280	0,8	1,17	1,17	11,3	99,8	1,39	1,37	11,3	99,8	1,63	1,44	12,6	99,8	1,92	1,55	13,5	99,8

Heating capacity

Model					Tai: 10°		Tai: 15°		Tai: 20°		Tai: 22°	
Spd	Afl m³/h	Twi °C	G l/h	Δpw kPa	Q kW	Tau °C	Q kW	Tau °C	Q kW	Tau °C	Q kW	Tau °C
I (C)	1503	40	1718	26,4	12,07	34,1	10,02	35,0	7,99	35,9	7,18	36,3
II	1350	40	1520	23,6	10,54	33,4	8,75	34,5	6,98	35,5	6,27	35,9
III (C)	965	40	1218	10,7	8,62	36,8	7,16	37,2	5,70	37,7	5,12	37,9
IV (C)	300	40	423	1,6	3,15	41,5	2,61	41,1	2,08	40,8	1,87	40,7
I (C)	1503	45	1584	22,8	13,97	37,9	11,93	38,8	9,91	39,8	9,10	40,2
II	1350	45	1400	20,3	12,20	37,1	10,42	38,2	8,65	39,2	7,95	39,7
III (C)	965	45	1119	9,2	9,98	41,0	8,52	41,5	7,07	42,0	6,50	42,2
IV (C)	300	45	393	1,4	3,65	46,5	3,11	46,1	2,58	45,8	2,37	45,7
I (C)	1503	50	1442	19,2	15,79	41,5	13,77	42,5	11,76	43,5	10,96	43,9
II	1350	50	1272	17,1	13,79	40,6	12,02	41,7	10,27	42,8	9,57	43,3
III (C)	965	50	1016	7,7	11,27	45,0	9,82	45,5	8,39	46,1	7,82	46,3
IV (C)	300	50	362	1,2	4,14	51,4	3,60	51,0	3,07	50,7	2,86	50,6
I (C)	1503	60	1338	16,8	19,60	49,1	17,58	50,1	15,58	51,1	14,78	51,5
II	1350	60	1167	14,6	17,09	48,0	15,33	49,1	13,58	50,2	12,88	50,6
III (C)	965	60	964	7,0	14,14	53,9	12,67	54,4	11,22	54,9	10,64	55,1
IV (C)	300	60	355	1,2	5,22	62,2	4,67	61,7	4,13	61,3	3,91	61,1
I (C)	1503	70	1740	27,0	24,49	58,9	22,36	59,6	20,26	60,4	19,42	60,8
II	1350	70	1516	23,5	21,34	57,4	19,49	58,3	17,65	59,2	16,92	59,6
III (C)	965	70	1255	11,3	17,69	65,0	16,14	65,2	14,61	65,4	14,01	65,5
IV (C)	300	70	472	1,9	6,68	76,8	6,08	75,8	5,50	75,0	5,26	74,6
I (C)	1503	80	2141	39,2	29,30	68,5	27,10	69,1	24,92	69,7	24,06	70,0
II	1350	80	1864	34,0	25,52	66,7	23,61	67,5	21,71	68,2	20,95	68,6
III (C)	965	80	1542	16,3	21,13	75,7	19,53	75,7	17,95	75,8	17,32	75,9
IV (C)	300	80	588	2,9	8,08	90,8	7,46	89,6	6,84	88,4	6,59	87,9

- Spd** Terminal board wired fan speed.
The number in parentheses indicates the control signal Vdc led the drive motor.
- Afl** Air flow rate
- Twi** Water inlet temperature
- G** Water flow rate
- Δpw** Water side pressure drops
- Tai** Air inlet temperature
- UR** Relative humidity
- QT** Cooling capacity (total heat)
- QS** Cooling capacity (sensitive heat)
- Q** Heating capacity
- Tau** Air outlet temperature

Heating capacity additional coil KB4-4

Model					Tai: 10°		Tai: 15°		Tai: 20°		Tai: 22°	
Spd	Afl m³/h	Twi °C	G l/h	Δpw kPa	Q kW	Tau °C	Q kW	Tau °C	Q kW	Tau °C	Q kW	Tau °C
I (C)	1503	60	492	10,1	7,17	24,3	6,45	27,9	5,72	31,4	5,43	32,8
II	1350	60	457	9,0	6,66	24,8	5,99	28,3	5,31	31,8	5,05	33,2
III (C)	965	60	398	6,8	5,80	28,0	5,21	31,2	4,63	34,4	4,39	35,7
IV (C)	300	60	182	1,7	2,65	36,5	2,38	38,8	2,11	41,1	2,01	42,1
I (C)	1503	70	646	16,5	9,05	28,1	8,28	31,5	7,52	35,0	7,22	36,4
II	1350	70	600	14,7	8,40	28,7	7,69	32,1	6,98	35,5	6,70	36,9
III (C)	965	70	521	11,0	7,31	32,7	6,69	35,8	6,07	38,9	5,82	40,1
IV (C)	300	70	248	2,9	3,48	44,8	3,19	46,9	2,89	48,9	2,77	49,7
I (C)	1503	80	800	24,2	10,90	31,7	10,10	35,2	9,31	38,6	9,00	40,0
II	1350	80	742	21,6	10,11	32,5	9,38	35,8	8,64	39,2	8,35	40,6
III (C)	965	80	645	16,2	8,79	37,3	8,15	40,3	7,51	43,3	7,25	44,6
IV (C)	300	80	310	4,3	4,23	52,3	3,91	54,1	3,60	56,0	3,48	56,8

Yardy-I EV3 88 capacities

Cooling capacity

Model					Tai: 23°C / 47% UR				Tai: 25°C / 47% UR				Tai: 27°C / 47% UR				Tai: 29°C / 47% UR			
Spd	Afl m³/h	Twl °C	G l/h	Δpw kPa	QT kW	QS kW	Tau °C	UR %	QT kW	QS kW	Tau °C	UR %	QT kW	QS kW	Tau °C	UR %	QT kW	QS kW	Tau °C	UR %
I (C)	300	5	451	2,6	1,91	1,51	7,9	99,8	2,26	1,66	8,4	99,8	2,63	1,81	8,9	99,8	3,01	1,95	9,5	99,8
II (C)	965	5	1304	11,5	5,54	4,40	9,3	99,7	6,55	4,82	10,0	99,8	7,62	5,24	10,7	99,8	8,74	5,65	11,4	99,8
III	1350	5	1602	17,7	6,81	5,71	10,3	97,6	8,05	6,26	11,1	97,9	9,36	6,80	11,9	98,4	10,74	7,33	12,7	99,1
IV (C)	1458	5	1818	19,5	7,73	6,29	10,1	97,1	9,14	6,90	10,8	97,5	10,62	7,50	11,6	98,	12,18	8,08	12,4	98,6
I (C)	300	6	420	2,3	1,78	1,45	8,5	99,8	2,09	1,57	9,3	99,8	2,45	1,72	9,8	99,8	2,83	1,86	10,4	99,8
II (C)	965	6	1203	9,9	5,09	4,20	9,9	99,8	5,97	4,55	10,9	99,7	7,01	4,96	11,6	99,8	8,11	5,35	12,4	99,8
III	1350	6	1477	15,3	6,26	5,47	10,9	98,4	7,33	5,90	11,9	97,6	8,61	6,43	12,7	98,	9,95	6,95	13,6	98,5
IV (C)	1458	6	1677	16,8	7,11	6,03	10,6	98,	8,32	6,50	11,6	97,1	9,77	7,09	12,4	97,5	11,30	7,66	13,2	98,
I (C)	300	7	387	2,0	1,63	1,38	9,2	99,8	1,90	1,49	10,1	99,8	2,26	1,63	10,7	99,8	2,64	1,77	11,3	99,8
II (C)	965	7	1095	8,4	4,70	4,09	10,3	99,8	5,46	4,34	11,5	99,8	6,38	4,67	12,5	99,7	7,44	5,06	13,3	99,8
III	1350	7	1344	12,9	5,74	5,27	11,3	99,8	6,60	5,54	12,7	97,3	7,84	6,06	13,5	97,6	9,15	6,57	14,4	98,
IV (C)	1458	7	1526	14,2	6,53	5,82	11,0	99,5	7,49	6,11	12,4	96,8	8,90	6,68	13,2	97,1	10,39	7,24	14,1	97,5
I (C)	300	8	354	1,7	1,48	1,32	9,8	99,8	1,75	1,42	10,8	99,8	2,07	1,54	11,6	99,8	2,44	1,68	12,2	99,8
II (C)	965	8	1003	7,2	4,23	3,90	10,9	99,8	4,96	4,12	12,2	99,8	5,84	4,46	13,1	99,8	6,79	4,78	14,2	99,6
III	1350	8	1202	10,6	5,19	5,07	11,7	99,8	6,04	5,33	13,2	98,4	7,01	5,68	14,4	97,2	8,26	6,17	15,3	97,5
IV (C)	1458	8	1365	11,6	5,91	5,60	11,5	99,8	6,86	5,88	12,9	98,	7,96	6,26	14,1	96,7	9,38	6,80	15,0	97,
I (C)	300	9	328	1,5	1,33	1,26	10,4	99,8	1,61	1,37	11,3	99,8	1,91	1,48	12,2	99,8	2,23	1,59	13,1	99,8
II (C)	965	9	907	6,0	3,77	3,73	11,4	99,8	4,50	3,97	12,7	99,8	5,28	4,22	13,9	99,8	6,19	4,54	14,9	99,8
III	1350	9	1114	9,2	4,68	4,68	12,6	99,8	5,51	5,12	13,6	99,1	6,48	5,49	14,8	98,3	7,49	5,82	16,1	97,1
IV (C)	1458	9	1262	10,1	5,32	5,32	12,0	99,8	6,26	5,65	13,4	98,8	7,26	5,98	14,7	97,	8,50	6,42	15,8	96,6
I (C)	300	10	299	1,2	1,19	1,19	11,1	99,8	1,45	1,30	12,0	99,8	1,74	1,41	12,9	99,8	2,06	1,52	13,8	99,8
II (C)	965	10	815	4,9	3,34	3,34	12,6	98,8	4,00	3,75	13,3	99,8	4,75	4,02	14,5	99,8	5,57	4,30	15,6	99,7
III	1350	10	1000	7,6	4,13	4,13	13,8	97,2	4,92	4,89	14,1	99,8	5,82	5,23	15,4	98,7	6,82	5,58	16,6	97,8
IV (C)	1458	10	1130	8,3	4,69	4,69	13,3	96,8	5,59	5,40	13,9	99,5	6,60	5,76	15,1	98,2	7,73	6,14	16,4	97,4

Heating capacity

Model					Tai: 10°		Tai: 15°		Tai: 20°		Tai: 22°	
Spd	Afl m³/h	Twl °C	G l/h	Δpw kPa	Q kW	Tau °C	Q kW	Tau °C	Q kW	Tau °C	Q kW	Tau °C
I (C)	300	40	451	2,5	3,29	42,9	2,73	42,3	2,17	41,7	1,94	41,4
II (C)	965	40	1304	11,0	8,95	37,8	7,42	38,1	5,90	38,3	5,30	38,5
III	1350	40	1603	16,9	11,06	34,6	9,17	35,4	7,30	36,2	6,56	36,6
IV (C)	1458	40	1819	18,5	12,52	35,8	10,39	36,4	8,27	37,0	7,43	37,3
I (C)	300	45	420	2,2	3,83	48,3	3,26	47,6	2,70	47,0	2,47	46,7
II (C)	965	45	1203	9,5	10,39	42,3	8,85	42,5	7,34	42,8	6,74	42,9
III	1350	45	1478	14,6	12,83	38,5	10,94	39,3	9,08	40,2	8,33	40,5
IV (C)	1458	45	1678	16,0	14,53	39,9	12,39	40,5	10,28	41,2	9,44	41,4
I (C)	300	50	388	1,9	4,36	53,6	3,78	52,8	3,22	52,2	3,00	52,0
II (C)	965	50	1095	8,0	11,80	46,7	10,26	46,9	8,75	47,2	8,15	47,3
III	1350	50	1344	12,3	14,56	42,3	12,67	43,2	10,81	44,0	10,07	44,4
IV (C)	1458	50	1526	13,5	16,49	43,9	14,36	44,5	12,25	45,2	11,42	45,5
I (C)	300	60	351	1,6	5,43	64,3	4,85	63,5	4,28	62,8	4,05	62,5
II (C)	965	60	934	6,0	14,56	55,3	13,03	55,5	11,53	55,8	10,93	56,0
III	1350	60	1152	9,3	17,96	49,9	16,08	50,7	14,23	51,6	13,49	52,0
IV (C)	1458	60	1291	10,0	20,33	51,8	18,21	52,5	16,11	53,2	15,28	53,4
I (C)	300	70	463	2,6	6,80	78,0	6,18	76,8	5,58	75,8	5,34	75,4
II (C)	965	70	1212	9,6	17,95	65,8	16,36	65,9	14,79	66,0	14,17	66,0
III	1350	70	1469	14,4	22,16	59,2	20,21	59,9	18,28	60,6	17,52	60,9
IV (C)	1458	70	1642	15,4	25,06	61,6	22,85	62,0	20,68	62,5	19,81	62,8
I (C)	300	80	574	3,8	8,12	91,2	7,48	89,8	6,85	88,5	6,60	88,0
II (C)	965	80	1466	13,5	21,27	76,1	19,64	76,0	18,02	76,0	17,38	76,0
III	1350	80	1767	20,1	26,30	68,4	24,30	69,0	22,31	69,6	21,53	69,8
IV (C)	1458	80	1972	21,4	29,72	71,2	27,46	71,5	25,22	71,9	24,33	72,1

- Spd** Terminal board wired fan speed.
The number in parentheses indicates the control signal Vdc led the drive motor.
- Afl** Air flow rate
- Twl** Water inlet temperature
- G** Water flow rate
- Δpw** Water side pressure drops
- Tai** Air inlet temperature
- UR** Relative humidity
- QT** Cooling capacity (total heat)
- QS** Cooling capacity (sensitive heat)
- Q** Heating capacity
- Tau** Air outlet temperature

Heating capacity additional coil KB4-4

Model					Tai: 10°		Tai: 15°		Tai: 20°		Tai: 22°	
Spd	Afl m³/h	Twl °C	G l/h	Δpw kPa	Q kW	Tau °C	Q kW	Tau °C	Q kW	Tau °C	Q kW	Tau °C
I (C)	300	60	170	1,4	2,68	36,8	2,41	39,1	2,14	41,4	2,03	42,3
II (C)	965	60	380	5,5	5,80	28,0	5,21	31,2	4,62	34,4	4,39	35,6
III	1350	60	432	8,3	6,59	24,6	5,92	28,2	5,26	31,7	4,99	33,1
IV (C)	1458	60	464	8,9	7,09	24,6	6,37	28,1	5,66	31,6	5,37	33,1
I (C)	300	70	232	1,5	3,26	42,6	2,98	44,8	2,70	47,0	2,59	47,9
II (C)	965	70	498	5,8	6,98	31,7	6,39	34,9	5,80	38,0	5,56	39,3
III	1350	70	567	8,8	7,94	27,7	7,27	31,2	6,60	34,7	6,33	36,1
IV (C)	1458	70	610	9,5	8,54	27,6	7,82	31,1	7,10	34,6	6,81	36,0
I (C)	300	80	289	1,5	3,81	48,1	3,53	50,3	3,25	52,5	3,13	53,3
II (C)	965	80	616	6,0	8,17	35,4	7,57	38,5	6,98	41,7	6,74	42,9
III	1350	80	701	9,1	9,29	30,6	8,61	34,1	7,94	37,6	7,67	39,0
IV (C)	1458	80	754	9,8	9,99	30,6	9,27	34,1	8,54	37,6	8,25	39,0

YardyDUCT2 40 capacities

Cooling capacity

Yardy-DUCT 40					Tai: 23°C / 47% UR				Tai: 25°C / 47% UR				Tai: 27°C / 47% UR				Tai: 29°C / 47% UR			
Twi °C	Spd	G l/h	Δpw kPa	Afl m³/h	QT kW	QS kW	Tau °C	UR %	QT kW	QS kW	Tau °C	UR %	QT kW	QS kW	Tau °C	UR %	QT kW	QS kW	Tau °C	UR %
5	I	397	7,1	275	1,69	1,38	7,9	99,3	1,99	1,52	8,5	99,7	2,31	1,65	9,0	99,8	2,65	1,78	9,6	99,8
6	I	368	6,2	275	1,53	1,30	8,8	99,	1,83	1,43	9,4	99,4	2,15	1,57	9,9	99,8	2,48	1,70	10,5	99,8
7	I	338	5,3	275	1,44	1,28	9,0	99,8	1,66	1,35	10,3	99,1	1,97	1,48	10,9	99,4	2,30	1,61	11,5	99,8
8	I	307	4,5	275	1,33	1,24	9,4	99,8	1,53	1,30	10,8	99,8	1,79	1,39	11,8	99,	2,11	1,52	12,4	99,4
9	I	274	3,6	275	1,21	1,21	9,8	99,8	1,41	1,26	11,2	99,8	1,60	1,31	12,8	98,7	1,91	1,43	13,4	98,9
10	I	260	3,3	275	1,09	1,09	11,1	99,8	1,29	1,21	11,8	99,8	1,51	1,29	12,9	99,8	1,74	1,35	14,3	98,6
5	II	366	6,1	250	1,56	1,27	7,8	99,8	1,84	1,39	8,3	99,8	2,13	1,52	8,8	99,8	2,45	1,64	9,4	99,8
6	II	340	5,4	250	1,41	1,19	8,7	99,6	1,69	1,32	9,2	99,8	1,98	1,44	9,7	99,8	2,29	1,56	10,3	99,8
7	II	312	4,6	250	1,33	1,18	8,9	99,8	1,53	1,24	10,1	99,7	1,82	1,36	10,7	99,8	2,12	1,48	11,3	99,8
8	II	284	3,9	250	1,22	1,14	9,3	99,8	1,41	1,19	10,7	99,8	1,65	1,28	11,6	99,6	1,95	1,40	12,2	99,8
9	II	254	3,2	250	1,11	1,09	9,9	99,8	1,31	1,16	11,0	99,8	1,48	1,20	12,6	99,3	1,77	1,31	13,2	99,6
10	II	241	2,9	250	1,00	1,00	11,0	99,8	1,19	1,11	11,7	99,8	1,40	1,19	12,7	99,8	1,61	1,24	14,1	99,2
5	III	309	4,6	198	1,31	0,99	8,1	99,8	1,55	1,08	8,6	99,8	1,80	1,18	9,1	99,8	2,06	1,27	9,7	99,8
6	III	287	4,1	198	1,19	0,93	8,9	99,8	1,43	1,02	9,5	99,8	1,67	1,12	10,0	99,8	1,93	1,21	10,6	99,8
7	III	264	3,5	198	1,13	0,92	9,1	99,8	1,30	0,97	10,4	99,8	1,54	1,06	10,9	99,8	1,80	1,15	11,5	99,8
8	III	241	3,0	198	1,02	0,87	9,8	99,8	1,20	0,93	10,9	99,8	1,40	1,00	11,8	99,8	1,66	1,09	12,5	99,8
9	III	217	2,5	198	0,94	0,85	10,1	99,8	1,10	0,89	11,5	99,8	1,26	0,94	12,8	99,8	1,51	1,03	13,4	99,8
10	III	201	2,1	198	0,85	0,83	10,5	99,8	1,01	0,87	11,8	99,8	1,17	0,91	13,2	99,8	1,37	0,97	14,3	99,8
5	IV	278	4,6	180	1,18	0,88	8,3	99,8	1,39	0,97	8,9	99,8	1,62	1,05	9,4	99,8	1,86	1,14	10,0	99,8
6	IV	258	4,0	180	1,07	0,83	9,2	99,8	1,28	0,92	9,7	99,8	1,51	1,00	10,3	99,8	1,74	1,09	10,9	99,8
7	IV	239	3,5	180	0,99	0,80	9,6	99,8	1,17	0,87	10,6	99,8	1,39	0,95	11,2	99,8	1,62	1,03	11,8	99,8
8	IV	218	3,0	180	0,92	0,78	9,9	99,8	1,06	0,81	11,4	99,8	1,27	0,90	12,0	99,8	1,50	0,98	12,7	99,8
9	IV	196	2,5	180	0,85	0,77	10,2	99,8	0,99	0,80	11,7	99,8	1,14	0,84	12,9	99,8	1,37	0,92	13,6	99,8
10	IV	182	2,1	180	0,77	0,74	10,7	99,8	0,91	0,78	12,0	99,8	1,06	0,81	13,4	99,8	1,24	0,87	14,5	99,8
5	V	253	4,0	163	1,08	0,81	8,2	99,8	1,27	0,89	8,7	99,8	1,48	0,97	9,2	99,8	1,69	1,04	9,8	99,8
6	V	236	3,5	163	0,98	0,76	9,0	99,8	1,17	0,84	9,5	99,8	1,37	0,92	10,1	99,8	1,59	0,99	10,7	99,8
7	V	218	3,0	163	0,91	0,73	9,5	99,8	1,07	0,79	10,4	99,8	1,27	0,87	11,0	99,8	1,48	0,95	11,6	99,8
8	V	199	2,6	163	0,84	0,72	9,8	99,8	0,96	0,74	11,3	99,8	1,16	0,82	11,9	99,8	1,37	0,90	12,5	99,8
9	V	180	2,1	163	0,77	0,69	10,3	99,8	0,91	0,73	11,5	99,8	1,05	0,77	12,8	99,8	1,25	0,85	13,4	99,8
10	V	166	1,9	163	0,70	0,68	10,6	99,8	0,84	0,71	11,9	99,8	0,97	0,75	13,3	99,8	1,13	0,80	14,3	99,8
5	VI	219	3,0	140	0,93	0,70	7,9	99,8	1,10	0,77	8,4	99,8	1,28	0,84	8,9	99,8	1,46	0,91	9,5	99,8
6	VI	204	2,6	140	0,85	0,66	8,8	99,8	1,01	0,73	9,3	99,8	1,19	0,80	9,8	99,8	1,38	0,87	10,4	99,8
7	VI	189	2,3	140	0,79	0,64	9,3	99,8	0,93	0,69	10,2	99,8	1,10	0,76	10,7	99,8	1,28	0,83	11,3	99,8
8	VI	173	2,0	140	0,73	0,62	9,6	99,8	0,84	0,65	11,1	99,8	1,01	0,72	11,6	99,8	1,19	0,78	12,2	99,8
9	VI	156	1,6	140	0,66	0,60	10,1	99,8	0,79	0,64	11,3	99,8	0,91	0,67	12,5	99,8	1,08	0,74	13,2	99,8
10	VI	144	1,4	140	0,60	0,58	10,6	99,8	0,71	0,61	11,9	99,8	0,84	0,65	13,0	99,8	0,99	0,70	14,0	99,8

Spd Fan speed

Afl Air flow rate

Twi Water inlet temperature

G Water flow rate

Δpw Water side pressure drops

Tai Air inlet temperature

UR Relative humidity

QT Cooling capacity (total heat)

QS Cooling capacity (sensitive heat)

Q Heating capacity

Tau Air outlet temperature

Heating capacity

Yardy-DUCT 40					Tai: 10°		Tai: 15°		Tai: 20°		Tai: 22°	
Twi °C	Spd	G l/h	Δpw kPa	Afl m³/h	Q kW	Tau °C	Q kW	Tau °C	Q kW	Tau °C	Q kW	Tau °C
40	I	397	6,5	275	2,47	36,9	2,04	37,3	1,63	37,7	1,46	37,9
45	I	368	5,7	275	2,86	41,2	2,44	41,6	2,02	42,1	1,86	42,2
50	I	338	4,9	275	3,25	45,5	2,83	45,8	2,41	46,3	2,24	46,5
60	I	269	3,3	275	3,96	53,2	3,54	53,7	3,13	54,2	2,97	54,4
70	I	352	5,3	275	4,97	64,2	4,53	64,4	4,09	64,6	3,92	64,8
80	I	429	7,5	275	5,90	74,4	5,45	74,4	5,00	74,5	4,82	74,6
40	II	366	5,6	250	2,26	37,1	1,87	37,5	1,49	37,9	1,34	38,1
45	II	340	4,9	250	2,63	41,5	2,24	41,9	1,85	42,2	1,70	42,4
50	II	312	4,2	250	2,98	45,8	2,59	46,1	2,21	46,5	2,06	46,7
60	II	247	2,7	250	3,63	53,5	3,25	54,0	2,87	54,4	2,72	54,6
70	II	322	4,5	250	4,56	64,7	4,15	64,8	3,75	65,0	3,59	65,1
80	II	394	6,4	250	5,42	75,0	5,00	75,0	4,59	75,0	4,42	75,1
40	III	309	4,2	198	1,84	37,9	1,52	38,1	1,21	38,4	1,09	38,5
45	III	287	3,7	198	2,14	42,4	1,82	42,6	1,51	42,9	1,38	43,0
50	III	264	3,2	198	2,43	46,8	2,11	47,0	1,80	47,3	1,68	47,4
60	III	200	1,9	198	2,94	54,6	2,63	54,9	2,33	55,2	2,20	55,4
70	III	261	3,1	198	3,69	66,0	3,36	66,0	3,04	66,0	2,91	66,1
80	III	321	4,5	198	4,41	76,9	4,07	76,7	3,73	76,5	3,60	76,5
40	IV	278	4,2	180	1,69	38,1	1,40	38,3	1,11	38,5	1,00	38,6
45	IV	258	3,7	180	1,96	42,7	1,67	42,8	1,38	43,0	1,27	43,1
50	IV	239	3,2	180	2,23	47,1	1,94	47,3	1,65	47,5	1,54	47,6
60	IV	184	2,0	180	2,70	55,1	2,42	55,3	2,14	55,6	2,03	55,8
70	IV	240	3,2	180	3,40	66,6	3,09	66,5	2,79	66,5	2,67	66,6
80	IV	295	4,7	180	4,06	77,7	3,75	77,4	3,43	77,2	3,31	77,2
40	V	253	3,6	163	1,53	38,2	1,27	38,4	1,01	38,6	0,91	38,7
45	V	236	3,1	163	1,78	42,8	1,52	42,9	1,26	43,1	1,15	43,2
50	V	218	2,7	163	2,03	47,3	1,76	47,4	1,50	47,6	1,40	47,7
60	V	167	1,7	163	2,46	55,3	2,20	55,5	1,94	55,8	1,84	55,9
70	V	218	2,7	163	3,08	66,8	2,81	66,7	2,54	66,7	2,43	66,7
80	V	268	3,9	163	3,69	77,9	3,40	77,6	3,12	77,4	3,01	77,3
40	VI	219	2,7	140	1,33	38,5	1,10	38,6	0,87	38,7	0,78	38,8
45	VI	204	2,4	140	1,55	43,1	1,32	43,2	1,09	43,3	1,00	43,4
50	VI	189	2,1	140	1,76	47,7	1,53	47,7	1,30	47,9	1,21	47,9
60	VI	145	1,3	140	2,14	55,8	1,91	55,9	1,69	56,1	1,60	56,2
70	VI	189	2,1	140	2,67	67,3	2,43	67,1	2,20	67,1	2,10	67,1
80	VI	232	3,0	140	3,20	78,5	2,95	78,2	2,70	77,9	2,60	77,8

Spd	Fan speed
Afl	Air flow rate
Twi	Water inlet temperature
G	Water flow rate
Δpw	Water side pressure drops
Tai	Air inlet temperature
UR	Relative humidity
QT	Cooling capacity (total heat)
QS	Cooling capacity (sensitive heat)
Q	Heating capacity
Tau	Air outlet temperature

Heating capacity additional coil KB4-4

Yardy-DUCT 40					Tai: 10°		Tai: 15°		Tai: 20°		Tai: 22°	
Ewt °C	Spd	G l/h	Δpw kPa	Afl m³/h	Q kW	Tau °C	Q kW	Tau °C	Q kW	Tau °C	Q kW	Tau °C
60	I	137	0,8	275	1,99	31,7	1,79	34,5	1,59	37,3	1,51	38,4
70	I	191	1,4	275	2,68	39,2	2,45	41,7	2,22	44,2	2,13	45,2
80	I	243	2,2	275	3,32	46,2	3,08	48,6	2,83	50,9	2,74	51,8
60	II	128	0,7	250	1,87	32,4	1,68	35,1	1,49	37,9	1,41	39,0
70	II	179	1,3	250	2,51	40,1	2,29	42,5	2,08	45,0	2,00	45,9
80	II	228	2,0	250	3,12	47,4	2,89	49,6	2,66	51,9	2,57	52,8
60	III	120	0,6	198	1,75	36,5	1,57	38,8	1,39	41,1	1,32	42,0
70	III	166	1,0	198	2,33	45,3	2,13	47,2	1,93	49,2	1,85	50,0
80	III	212	1,6	198	2,90	53,9	2,68	55,6	2,47	57,4	2,39	58,1
60	IV	107	0,5	180	1,56	35,9	1,40	38,3	1,24	40,7	1,18	41,6
70	IV	147	0,9	180	2,06	44,4	1,89	46,4	1,71	48,5	1,64	49,3
80	IV	188	1,4	180	2,57	52,8	2,38	54,6	2,19	56,5	2,11	57,2
60	V	100	0,5	163	1,46	36,9	1,31	39,2	1,17	41,4	1,11	42,4
70	V	138	0,8	163	1,93	45,5	1,76	47,5	1,60	49,4	1,53	50,2
80	V	176	1,3	163	2,40	54,2	2,22	55,9	2,05	57,7	1,98	58,4
60	VI	91	0,3	140	1,33	38,5	1,19	40,6	1,06	42,7	1,00	43,5
70	VI	124	0,6	140	1,74	47,2	1,59	49,0	1,44	50,9	1,38	51,6
80	VI	158	0,9	140	2,16	56,3	2,00	57,9	1,84	59,5	1,78	60,1

YardyDUCT2 48 capacities

Cooling capacity

Yardy-DUCT 48					Tai: 23°C / 47% UR				Tai: 25°C / 47% UR				Tai: 27°C / 47% UR				Tai: 29°C / 47% UR			
Twi °C	Spd	G l/h	Δpw kPa	Afl m³/h	QT kW	QS kW	Tau °C	UR %	QT kW	QS kW	Tau °C	UR %	QT kW	QS kW	Tau °C	UR %	QT kW	QS kW	Tau °C	UR %
5	I	255	3,9	140	1,08	0,77	6,4	99,8	1,27	0,85	6,7	99,8	1,48	0,93	7,0	99,8	1,70	1,01	7,4	99,8
6	I	237	3,4	140	0,98	0,73	7,3	99,8	1,18	0,81	7,7	99,8	1,38	0,89	8,0	99,8	1,60	0,96	8,4	99,8
7	I	219	3,0	140	0,91	0,70	8,0	99,8	1,08	0,76	8,6	99,8	1,28	0,84	9,0	99,8	1,49	0,92	9,4	99,8
8	I	201	2,6	140	0,82	0,66	8,8	99,8	0,98	0,72	9,6	99,8	1,18	0,79	10,0	99,8	1,39	0,87	10,4	99,8
9	I	183	2,2	140	0,74	0,63	9,4	99,8	0,89	0,69	10,3	99,8	1,07	0,75	11,0	99,8	1,27	0,82	11,4	99,8
10	I	168	1,9	140	0,66	0,60	10,0	99,8	0,82	0,66	10,8	99,8	0,98	0,72	11,7	99,8	1,16	0,77	12,4	99,8
5	II	294	4,1	163	1,24	0,88	6,9	99,8	1,46	0,97	7,2	99,8	1,70	1,05	7,6	99,8	1,95	1,14	8,0	99,8
6	II	272	3,6	163	1,13	0,83	7,8	99,8	1,35	0,92	8,2	99,8	1,59	1,00	8,5	99,8	1,84	1,09	9,0	99,8
7	II	252	3,1	163	1,04	0,79	8,4	99,8	1,24	0,86	9,1	99,8	1,47	0,95	9,5	99,8	1,72	1,04	9,9	99,8
8	II	231	2,6	163	0,96	0,76	9,0	99,8	1,12	0,81	10,0	99,8	1,35	0,90	10,5	99,8	1,59	0,98	10,9	99,8
9	II	210	2,2	163	0,86	0,73	9,6	99,8	1,04	0,79	10,5	99,8	1,22	0,84	11,5	99,8	1,46	0,93	11,9	99,8
10	II	193	1,9	163	0,76	0,69	10,3	99,8	0,94	0,75	11,2	99,8	1,12	0,81	12,1	99,8	1,33	0,87	12,9	99,8
5	III	322	4,9	180	1,36	0,98	6,7	99,8	1,61	1,08	7,0	99,8	1,86	1,18	7,4	99,8	2,14	1,27	7,8	99,8
6	III	298	4,2	180	1,24	0,92	7,6	99,8	1,48	1,02	8,0	99,8	1,74	1,12	8,4	99,8	2,01	1,21	8,8	99,8
7	III	276	3,7	180	1,14	0,88	8,3	99,8	1,36	0,96	8,9	99,8	1,61	1,06	9,3	99,8	1,88	1,15	9,8	99,8
8	III	253	3,2	180	1,05	0,85	8,8	99,8	1,23	0,91	9,9	99,8	1,48	1,00	10,3	99,8	1,74	1,10	10,7	99,8
9	III	229	2,6	180	0,94	0,81	9,5	99,8	1,14	0,88	10,3	99,8	1,34	0,94	11,3	99,8	1,59	1,03	11,8	99,8
10	III	211	2,3	180	0,84	0,78	10,1	99,8	1,03	0,84	11,1	99,8	1,23	0,90	12,0	99,8	1,45	0,97	12,8	99,8
5	IV	346	5,5	198	1,46	1,06	6,9	99,8	1,73	1,17	7,3	99,8	2,01	1,28	7,7	99,8	2,30	1,38	8,1	99,8
6	IV	321	4,8	198	1,33	1,00	7,8	99,8	1,59	1,11	8,2	99,8	1,87	1,21	8,6	99,8	2,16	1,32	9,1	99,8
7	IV	296	4,2	198	1,23	0,96	8,5	99,8	1,46	1,05	9,1	99,8	1,73	1,15	9,6	99,8	2,02	1,25	10,0	99,8
8	IV	272	3,6	198	1,13	0,93	9,0	99,8	1,35	1,00	9,8	99,8	1,58	1,09	10,5	99,8	1,87	1,19	11,0	99,8
9	IV	246	3,0	198	1,02	0,88	9,6	99,8	1,22	0,96	10,5	99,8	1,43	1,02	11,5	99,8	1,71	1,12	12,0	99,8
10	IV	226	2,6	198	0,91	0,85	10,2	99,8	1,10	0,91	11,3	99,8	1,32	0,98	12,2	99,8	1,55	1,06	13,0	99,8
5	V	424	7,9	250	1,80	1,31	7,3	99,8	2,13	1,44	7,7	99,8	2,47	1,57	8,2	99,8	2,83	1,70	8,7	99,8
6	V	394	6,9	250	1,64	1,23	8,2	99,8	1,96	1,36	8,6	99,8	2,30	1,49	9,1	99,8	2,66	1,62	9,6	99,8
7	V	363	6,0	250	1,53	1,20	8,6	99,8	1,79	1,28	9,6	99,8	2,12	1,41	10,1	99,8	2,47	1,53	10,6	99,8
8	V	332	5,1	250	1,38	1,14	9,4	99,8	1,64	1,23	10,3	99,8	1,93	1,33	11,0	99,8	2,28	1,45	11,6	99,8
9	V	300	4,2	250	1,25	1,10	9,8	99,8	1,49	1,17	11,0	99,8	1,75	1,25	12,0	99,8	2,08	1,37	12,6	99,8
10	V	281	3,8	250	1,12	1,05	10,4	99,8	1,37	1,13	11,5	99,8	1,64	1,22	12,4	99,8	1,90	1,30	13,5	99,8
5	VI	458	9,1	275	1,95	1,42	7,5	99,8	2,30	1,56	7,9	99,8	2,67	1,70	8,4	99,8	3,07	1,84	8,9	99,8
6	VI	427	8,0	275	1,77	1,34	8,4	99,8	2,12	1,48	8,9	99,8	2,49	1,62	9,3	99,8	2,88	1,75	9,9	99,8
7	VI	392	6,9	275	1,65	1,30	8,8	99,8	1,93	1,39	9,8	99,8	2,29	1,53	10,3	99,8	2,67	1,67	10,8	99,8
8	VI	358	5,8	275	1,50	1,25	9,4	99,8	1,77	1,33	10,5	99,8	2,09	1,44	11,3	99,8	2,46	1,57	11,8	99,8
9	VI	330	5,0	275	1,35	1,19	10,0	99,8	1,61	1,27	11,1	99,8	1,89	1,36	12,2	99,8	2,25	1,49	12,8	99,8
10	VI	302	4,3	275	1,21	1,14	10,5	99,8	1,47	1,22	11,7	99,8	1,76	1,32	12,6	99,8	2,04	1,40	13,7	99,8

Spd Fan speed

Afl Air flow rate

Twi Water inlet temperature

G Water flow rate

Δpw Water side pressure drops

Tai Air inlet temperature

UR Relative humidity

QT Cooling capacity (total heat)

QS Cooling capacity (sensitive heat)

Q Heating capacity

Tau Air outlet temperature

Heating capacity

Yardy-DUCT 48					Tai: 10°		Tai: 15°		Tai: 20°		Tai: 22°	
Twi °C	Spd	G l/h	Δpw kPa	Afl m³/h	Q kW	Tau °C	Q kW	Tau °C	Q kW	Tau °C	Q kW	Tau °C
40	I	254	3,7	140	1,40	40,0	1,16	39,8	0,92	39,7	0,82	39,7
45	I	237	3,3	140	1,63	45,0	1,39	44,7	1,15	44,6	1,05	44,5
50	I	220	2,9	140	1,86	49,8	1,61	49,5	1,37	49,4	1,27	49,3
60	I	150	1,4	140	2,25	58,3	2,01	58,1	1,77	58,0	1,68	58,0
70	I	194	2,3	140	2,79	69,7	2,53	69,3	2,28	68,9	2,19	68,8
80	I	238	3,3	140	3,32	81,1	3,05	80,4	2,79	79,8	2,69	79,6
40	II	291	3,8	163	1,62	39,8	1,34	39,6	1,06	39,5	0,95	39,5
45	II	272	3,4	163	1,88	44,6	1,60	44,4	1,32	44,3	1,21	44,3
50	II	252	3,0	163	2,14	49,4	1,86	49,2	1,58	49,1	1,47	49,1
60	II	173	1,5	163	2,59	57,7	2,31	57,6	2,04	57,6	1,93	57,6
70	II	224	2,4	163	3,22	69,2	2,92	68,8	2,63	68,5	2,52	68,4
80	II	275	3,5	163	3,82	80,4	3,52	79,8	3,22	79,3	3,10	79,1
40	III	320	4,5	180	1,77	39,5	1,46	39,4	1,16	39,3	1,04	39,4
45	III	298	4,0	180	2,06	44,3	1,75	44,2	1,45	44,1	1,33	44,1
50	III	276	3,5	180	2,34	49,1	2,03	48,9	1,73	48,8	1,61	48,8
60	III	189	1,7	180	2,83	57,2	2,53	57,2	2,23	57,2	2,11	57,2
70	III	245	2,8	180	3,52	68,7	3,20	68,3	2,88	68,1	2,76	68,0
80	III	301	4,0	180	4,19	79,8	3,85	79,2	3,53	78,8	3,40	78,6
40	IV	344	5,2	198	1,93	39,3	1,60	39,2	1,27	39,2	1,14	39,2
45	IV	321	4,6	198	2,25	44,1	1,91	44,0	1,58	44,0	1,45	44,0
50	IV	297	4,0	198	2,56	48,8	2,22	48,7	1,89	48,6	1,76	48,7
60	IV	206	2,1	198	3,10	56,9	2,77	56,9	2,44	57,0	2,31	57,0
70	IV	268	3,3	198	3,85	68,3	3,50	68,0	3,16	67,8	3,02	67,8
80	IV	329	4,8	198	4,58	79,3	4,21	78,8	3,86	78,4	3,72	78,3
40	V	424	7,4	250	2,37	38,5	1,96	38,5	1,56	38,7	1,40	38,8
45	V	394	6,5	250	2,76	43,1	2,35	43,2	1,94	43,3	1,78	43,4
50	V	364	5,7	250	3,14	47,7	2,73	47,7	2,32	47,8	2,16	47,9
60	V	252	2,9	250	3,79	55,5	3,39	55,7	2,99	55,9	2,84	56,0
70	V	329	4,7	250	4,72	66,6	4,29	66,5	3,87	66,5	3,71	66,5
80	V	403	6,8	250	5,59	77,1	5,15	76,8	4,72	76,6	4,55	76,6
40	VI	458	8,6	275	2,59	38,2	2,14	38,3	1,70	38,5	1,52	38,6
45	VI	427	7,5	275	3,01	42,8	2,56	42,9	2,12	43,1	1,94	43,2
50	VI	393	6,5	275	3,42	47,3	2,97	47,4	2,53	47,6	2,36	47,7
60	VI	275	3,4	275	4,14	55,2	3,70	55,4	3,27	55,6	3,09	55,8
70	VI	359	5,5	275	5,15	66,2	4,68	66,1	4,23	66,1	4,05	66,1
80	VI	438	7,9	275	6,09	76,4	5,61	76,2	5,14	76,1	4,95	76,1

Spd	Fan speed
Afl	Air flow rate
Twi	Water inlet temperature
G	Water flow rate
Δpw	Water side pressure drops
Tai	Air inlet temperature
UR	Relative humidity
QT	Cooling capacity (total heat)
QS	Cooling capacity (sensitive heat)
Q	Heating capacity
Tau	Air outlet temperature

Heating capacity additional coil KB4-4

Yardy-DUCT 48					Tai: 10°		Tai: 15°		Tai: 20°		Tai: 22°	
Ewt °C	Spd	G l/h	Δpw kPa	Afl m³/h	Q kW	Tau °C	Q kW	Tau °C	Q kW	Tau °C	Q kW	Tau °C
60	I	91	0,3	140	1,43	40,6	1,28	42,4	1,14	44,3	1,08	45,1
70	I	124	0,3	140	1,74	47,3	1,59	49,0	1,44	50,9	1,38	51,6
80	I	158	0,3	140	2,04	53,8	1,89	55,5	1,74	57,3	1,68	58,0
60	II	100	0,4	163	1,58	39,2	1,42	41,2	1,26	43,2	1,20	44,0
70	II	138	0,4	163	1,93	45,5	1,76	47,5	1,60	49,4	1,53	50,2
80	II	176	0,4	163	2,26	51,6	2,09	53,5	1,93	55,5	1,86	56,2
60	III	107	0,4	180	1,69	38,2	1,52	40,3	1,35	42,4	1,28	43,3
70	III	147	0,4	180	2,06	44,4	1,89	46,4	1,71	48,5	1,64	49,3
80	III	188	0,5	180	2,41	50,2	2,23	52,2	2,06	54,3	1,99	55,1
60	IV	120	0,4	198	1,91	38,9	1,72	41,0	1,52	43,0	1,44	43,9
70	IV	166	0,5	198	2,33	45,3	2,13	47,3	1,93	49,2	1,85	50,0
80	IV	212	0,5	198	2,72	51,3	2,52	53,2	2,32	55,2	2,24	56,0
60	V	128	0,6	250	2,06	34,7	1,85	37,1	1,64	39,6	1,55	40,6
70	V	179	0,7	250	2,51	40,1	2,29	42,5	2,08	45,0	1,99	45,9
80	V	228	0,7	250	2,93	45,2	2,72	47,6	2,50	50,0	2,42	51,0
60	VI	137	0,7	275	2,19	33,9	1,97	36,5	1,75	39,1	1,66	40,1
70	VI	191	0,7	275	2,68	39,2	2,45	41,7	2,22	44,2	2,13	45,2
80	VI	243	0,8	275	3,13	44,2	2,90	46,6	2,67	49,1	2,58	50,1

YardyDUCT2 50 capacities

Cooling capacity

Yardy-DUCT 50					Tai: 23°C / 47% UR				Tai: 25°C / 47% UR				Tai: 27°C / 47% UR				Tai: 29°C / 47% UR			
Twi °C	Spd	G l/h	Δpw kPa	Afl m³/h	QT kW	QS kW	Tau °C	UR %	QT kW	QS kW	Tau °C	UR %	QT kW	QS kW	Tau °C	UR %	QT kW	QS kW	Tau °C	UR %
5	I	550	8,1	450	2,33	2,20	8,4	90,2	2,76	2,40	9,0	90,5	3,20	2,61	9,6	91,	3,67	2,81	10,3	91,6
6	I	506	7,0	450	2,16	2,12	8,8	91,4	2,51	2,27	9,9	90,2	2,95	2,47	10,5	90,6	3,41	2,67	11,2	91,
7	I	460	5,9	450	2,05	2,05	9,3	95,	2,26	2,13	10,8	89,9	2,68	2,33	11,5	90,2	3,13	2,52	12,2	90,6
8	I	413	4,9	450	1,87	1,87	10,5	95,7	2,14	2,14	10,7	93,2	2,41	2,19	12,4	89,9	2,84	2,38	13,2	90,1
9	I	392	4,4	450	1,74	1,74	11,4	97,7	2,00	2,00	11,7	94,8	2,28	2,17	12,5	91,9	2,60	2,26	13,9	89,8
10	I	362	3,8	450	1,56	1,56	12,6	93,1	1,83	1,83	12,8	95,3	2,11	2,11	12,9	93,3	2,39	2,18	14,4	90,5
5	II	505	7,0	411	2,15	2,05	8,0	90,8	2,54	2,25	8,6	91,1	2,95	2,44	9,2	91,6	3,38	2,62	9,9	92,2
6	II	465	6,0	411	1,99	1,99	8,5	92,1	2,31	2,12	9,5	90,8	2,71	2,31	10,1	91,2	3,14	2,49	10,8	91,7
7	II	424	5,1	411	1,89	1,89	9,2	95,7	2,08	2,00	10,4	90,6	2,47	2,18	11,1	90,8	2,88	2,36	11,8	91,2
8	II	381	4,2	411	1,72	1,72	10,4	96,5	1,98	1,98	10,6	93,9	2,22	2,05	12,0	90,5	2,62	2,22	12,8	90,8
9	II	362	3,8	411	1,60	1,60	11,3	98,6	1,82	1,82	11,7	94,1	2,11	2,03	12,2	92,6	2,40	2,12	13,5	90,5
10	II	334	3,3	411	1,44	1,44	12,5	94,	1,69	1,69	12,7	96,2	1,95	1,95	12,8	94,1	2,21	2,04	14,1	91,2
5	III	474	7,3	382	2,01	1,81	8,8	91,3	2,38	1,99	9,4	91,7	2,76	2,16	10,1	92,1	3,17	2,32	10,8	92,7
6	III	437	6,3	382	1,87	1,76	9,2	92,6	2,17	1,88	10,3	91,3	2,55	2,04	10,9	91,7	2,94	2,21	11,7	92,2
7	III	398	5,3	382	1,77	1,76	9,2	96,3	2,01	1,81	10,8	92,5	2,32	1,93	11,8	91,3	2,71	2,09	12,6	91,7
8	III	358	4,4	382	1,62	1,62	10,3	97,2	1,86	1,78	11,1	94,5	2,09	1,82	12,7	91,	2,46	1,97	13,5	91,3
9	III	341	4,0	382	1,51	1,51	11,2	99,5	1,71	1,71	11,6	94,7	1,98	1,80	12,8	93,2	2,26	1,88	14,3	91
10	III	311	3,4	382	1,36	1,36	12,3	95,	1,59	1,59	12,5	97,1	1,81	1,73	13,4	93,4	2,08	1,81	14,8	91,7
5	IV	405	5,3	315	1,72	1,49	8,8	92,6	2,03	1,63	9,5	93,	2,36	1,77	10,2	93,5	2,71	1,90	10,9	94,1
6	IV	374	4,6	315	1,60	1,44	9,3	94,	1,86	1,54	10,3	92,7	2,18	1,68	11,0	93,1	2,52	1,81	11,7	93,6
7	IV	343	3,9	315	1,50	1,42	9,5	96,4	1,69	1,46	11,1	92,4	2,00	1,59	11,9	92,7	2,33	1,72	12,6	93,1
8	IV	312	3,3	315	1,41	1,41	9,6	99,7	1,59	1,44	11,3	94,8	1,82	1,50	12,7	92,4	2,14	1,63	13,5	92,7
9	IV	290	2,9	315	1,30	1,30	10,6	99,8	1,49	1,42	11,5	96,7	1,69	1,46	13,1	93,4	1,96	1,55	14,3	92,3
10	IV	273	2,6	315	1,18	1,18	11,7	98,2	1,38	1,38	11,9	98,1	1,59	1,44	13,3	95,4	1,82	1,51	14,7	93,4
5	V	352	4,1	270	1,50	1,29	8,7	93,7	1,77	1,41	9,3	94,1	2,05	1,53	10,0	94,6	2,36	1,65	10,7	95,2
6	V	327	3,6	270	1,40	1,25	9,1	95,3	1,62	1,34	10,2	93,8	1,90	1,46	10,8	94,2	2,20	1,57	11,5	94,7
7	V	300	3,1	270	1,32	1,24	9,3	98,	1,47	1,26	11,0	93,5	1,75	1,38	11,7	93,8	2,04	1,50	12,4	94,3
8	V	273	2,6	270	1,22	1,21	9,6	99,8	1,40	1,25	11,1	96,3	1,59	1,30	12,5	93,5	1,87	1,42	13,3	93,8
9	V	254	2,3	270	1,13	1,13	10,4	99,8	1,31	1,23	11,3	98,5	1,48	1,27	12,9	94,7	1,72	1,34	14,1	93,5
10	V	240	2,1	270	1,03	1,03	11,5	99,8	1,21	1,21	11,6	99,8	1,40	1,26	13,1	97,1	1,60	1,31	14,4	94,6
5	VI	269	2,7	210	1,14	1,03	8,2	95,5	1,35	1,13	8,8	95,9	1,57	1,23	9,4	96,5	1,80	1,33	10,0	97,1
6	VI	250	2,3	210	1,07	1,01	8,6	97,3	1,24	1,07	9,7	95,6	1,46	1,17	10,3	96,1	1,68	1,27	10,9	96,6
7	VI	230	2,0	210	0,99	0,97	9,1	98,5	1,13	1,01	10,5	95,3	1,34	1,11	11,1	95,7	1,56	1,20	11,8	96,1
8	VI	209	1,7	210	0,94	0,94	9,6	99,8	1,05	0,98	11,0	96,7	1,22	1,05	12,0	95,3	1,44	1,14	12,7	95,7
9	VI	195	1,5	210	0,86	0,86	10,7	99,8	0,99	0,97	11,1	99,4	1,14	1,02	12,4	96,7	1,32	1,08	13,5	95,3
10	VI	180	1,3	210	0,78	0,78	11,8	99,8	0,91	0,91	11,9	99,8	1,05	0,99	12,9	97,7	1,19	1,02	14,4	94,9

Spd	Fan speed
Afl	Air flow rate
Twi	Water inlet temperature
G	Water flow rate
Δpw	Water side pressure drops
Tai	Air inlet temperature
UR	Relative humidity
QT	Cooling capacity (total heat)
QS	Cooling capacity (sensitive heat)
Q	Heating capacity
Tau	Air outlet temperature

Heating capacity

Yardy-DUCT 50					Tai: 10°		Tai: 15°		Tai: 20°		Tai: 22°	
Twi °C	Spd	G l/h	Δpw kPa	Afl m³/h	Q kW	Tau °C	Q kW	Tau °C	Q kW	Tau °C	Q kW	Tau °C
40	I	550	7,4	450	3,56	33,7	2,95	34,7	2,35	35,7	2,12	36,1
45	I	506	6,4	450	4,12	37,5	3,52	38,5	2,92	39,5	2,68	39,9
50	I	460	5,4	450	4,66	41,1	4,06	42,1	3,47	43,1	3,23	43,5
60	I	389	4,0	450	5,71	48,1	5,12	49,1	4,53	50,2	4,30	50,7
70	I	520	6,7	450	7,32	58,8	6,68	59,5	6,05	60,3	5,80	60,7
80	I	638	9,7	450	8,75	68,3	8,09	68,9	7,43	69,6	7,17	69,8
40	II	505	6,4	411	3,29	34,0	2,73	34,9	2,18	35,9	1,96	36,3
45	II	465	5,6	411	3,81	37,8	3,26	38,8	2,70	39,7	2,48	40,1
50	II	424	4,7	411	4,31	41,5	3,76	42,4	3,21	43,4	2,99	43,8
60	II	360	3,5	411	5,29	48,6	4,74	49,6	4,20	50,6	3,98	51,0
70	II	482	5,9	411	6,79	59,6	6,20	60,2	5,61	60,9	5,37	61,2
80	II	594	8,6	411	8,14	69,4	7,52	69,9	6,91	70,4	6,67	70,7
40	III	474	6,7	382	3,10	34,3	2,57	35,2	2,05	36,1	1,84	36,5
45	III	437	5,8	382	3,59	38,2	3,06	39,1	2,54	40,0	2,33	40,3
50	III	398	4,9	382	4,06	41,9	3,54	42,8	3,02	43,7	2,81	44,1
60	III	339	3,7	382	4,98	49,1	4,46	50,0	3,95	51,0	3,75	51,4
70	III	454	6,2	382	6,40	60,2	5,84	60,8	5,28	61,5	5,06	61,8
80	III	560	9,1	382	7,68	70,3	7,10	70,8	6,52	71,2	6,30	71,4
40	IV	405	4,9	315	2,58	34,6	2,14	35,4	1,71	36,2	1,53	36,6
45	IV	374	4,2	315	2,99	38,5	2,55	39,3	2,12	40,2	1,94	40,5
50	IV	343	3,6	315	3,39	42,3	2,95	43,1	2,52	44,0	2,35	44,4
60	IV	281	2,5	315	4,12	49,2	3,69	50,2	3,27	51,1	3,10	51,5
70	IV	376	4,2	315	5,30	60,5	4,84	61,1	4,38	61,7	4,19	62,0
80	IV	467	6,3	315	6,41	71,0	5,92	71,4	5,44	71,8	5,25	72,0
40	V	352	3,7	270	2,26	35,1	1,88	35,8	1,49	36,6	1,34	36,9
45	V	327	3,3	270	2,62	39,2	2,24	39,9	1,86	40,6	1,71	40,9
50	V	300	2,8	270	2,97	43,0	2,59	43,8	2,21	44,5	2,06	44,9
60	V	246	2,0	270	3,62	50,2	3,24	51,0	2,87	51,9	2,72	52,2
70	V	330	3,3	270	4,66	61,7	4,25	62,2	3,84	62,7	3,68	62,9
80	V	411	4,9	270	5,64	72,7	5,21	72,9	4,79	73,2	4,62	73,3
40	VI	269	2,4	210	1,83	36,2	1,52	36,7	1,21	37,3	1,09	37,5
45	VI	250	2,1	210	2,13	40,4	1,81	40,9	1,50	41,5	1,38	41,7
50	VI	230	1,8	210	2,41	44,4	2,10	45,0	1,79	45,6	1,67	45,8
60	VI	202	1,4	210	2,97	52,5	2,66	53,0	2,36	53,7	2,23	53,9
70	VI	270	2,4	210	3,81	64,5	3,48	64,7	3,14	64,9	3,01	67,1
80	VI	337	3,6	210	4,63	76,1	4,27	76,0	3,92	76,0	3,78	76,1

Spd	Fan speed
Afl	Air flow rate
Twi	Water inlet temperature
G	Water flow rate
Δpw	Water side pressure drops
Tai	Air inlet temperature
UR	Relative humidity
QT	Cooling capacity (total heat)
QS	Cooling capacity (sensitive heat)
Q	Heating capacity
Tau	Air outlet temperature

Heating capacity additional coil KB4-4

YardyDUCT2 50					Tai: 10°		Tai: 15°		Tai: 20°		Tai: 22°	
Ewt °C	Spd	G l/h	Δpw kPa	Afl m³/h	Q kW	Tau °C	Q kW	Tau °C	Q kW	Tau °C	Q kW	Tau °C
60	I	226	2,5	450	3,29	32,0	2,96	34,7	2,62	37,5	2,49	38,6
70	I	304	4,2	450	4,27	38,4	3,90	41,0	3,54	43,6	3,40	44,6
80	I	375	6,1	450	5,12	44,1	4,74	46,6	4,37	49,1	4,22	50,1
60	II	212	2,2	411	3,09	32,6	2,78	35,3	2,46	38,0	2,34	39,1
70	II	287	3,8	411	4,03	39,4	3,68	41,9	3,34	44,4	3,20	45,4
80	II	354	5,5	411	4,83	45,3	4,48	47,7	4,12	50,1	3,98	51,1
60	III	202	2,0	382	2,95	33,2	2,65	35,8	2,35	38,5	2,23	39,5
70	III	275	3,5	382	3,86	40,3	3,53	42,7	3,20	45,1	3,07	46,1
80	III	340	5,1	382	4,63	46,4	4,29	48,7	3,95	51,0	3,82	52,0
60	IV	177	1,8	315	2,58	34,6	2,32	37,1	2,06	39,6	1,95	40,6
70	IV	241	3,2	315	3,39	42,3	3,10	44,5	2,81	46,8	2,70	47,7
80	IV	301	4,8	315	4,10	49,1	3,80	51,2	3,50	53,3	3,38	54,2
60	V	159	1,5	270	2,32	35,8	2,08	38,2	1,85	40,5	1,75	41,5
70	V	217	2,7	270	3,05	43,9	2,79	46,0	2,53	48,1	2,43	49,0
80	V	272	4,1	270	3,72	51,3	3,44	53,3	3,17	55,2	3,06	56,0
60	VI	135	1,0	210	1,96	38,1	1,76	40,2	1,56	42,3	1,48	43,2
70	VI	184	1,7	210	2,58	46,9	2,36	48,7	2,14	50,6	2,05	51,3
80	VI	232	2,6	210	3,17	55,3	2,93	56,9	2,70	58,6	2,61	59,2

YardyDUCT2 60 capacities

Cooling capacity

YardyDUCT2 60					Tai: 23°C / 47% UR				Tai: 25°C / 47% UR				Tai: 27°C / 47% UR				Tai: 29°C / 47% UR			
Twi °C	Spd	G l/h	Δpw kPa	Afl m³/h	QT kW	QS kW	Tau °C	UR %	QT kW	QS kW	Tau °C	UR %	QT kW	QS kW	Tau °C	UR %	QT kW	QS kW	Tau °C	UR %
5	I	736	4,7	620	3,13	2,83	9,3	95,8	3,69	3,10	10,0	96,2	4,29	3,37	10,7	96,7	4,92	3,63	11,5	97,3
6	I	678	4,0	620	2,93	2,77	9,6	98,2	3,37	2,93	10,8	95,9	3,95	3,19	11,6	96,2	4,57	3,44	12,3	96,7
7	I	618	3,4	620	2,69	2,68	10,0	99,8	3,09	2,81	11,4	96,7	3,60	3,01	12,4	95,9	4,20	3,26	13,2	96,2
8	I	557	2,8	620	2,44	2,44	11,2	99,8	2,84	2,72	11,9	98,2	3,24	2,83	13,3	95,5	3,82	3,07	14,1	95,8
9	I	519	2,5	620	2,22	2,22	12,3	99,8	2,60	2,60	12,4	99,3	3,02	2,76	13,6	96,9	3,48	2,91	14,9	95,4
10	I	474	2,1	620	1,98	1,98	13,4	97,	2,35	2,35	13,6	99,5	2,76	2,66	14,1	97,8	3,22	2,82	15,3	96,6
5	II	700	4,2	587	2,98	2,71	9,2	96,2	3,51	2,97	9,8	96,6	4,08	3,22	10,5	97,	4,68	3,47	11,3	97,6
6	II	645	3,7	587	2,79	2,65	9,4	98,5	3,21	2,80	10,7	96,2	3,76	3,05	11,4	96,6	4,35	3,29	12,2	97,1
7	II	589	3,1	587	2,56	2,56	9,9	99,8	2,95	2,69	11,3	97,1	3,43	2,88	12,3	96,2	4,00	3,12	13,1	96,6
8	II	533	2,6	587	2,32	2,32	11,1	99,8	2,71	2,60	11,7	98,6	3,09	2,71	13,1	95,9	3,65	2,94	14,0	96,1
9	II	495	2,3	587	2,12	2,12	12,2	99,8	2,48	2,48	12,3	99,7	2,88	2,64	13,5	97,3	3,32	2,79	14,8	95,8
10	II	452	1,9	587	1,89	1,89	13,3	97,5	2,24	2,24	13,5	99,8	2,63	2,55	14,0	98,2	3,07	2,70	15,2	97
5	III	666	4,0	539	2,83	2,43	9,5	96,8	3,34	2,67	10,2	97,1	3,88	2,89	10,9	97,6	4,46	3,11	11,7	98,2
6	III	615	3,4	539	2,66	2,38	9,7	99,1	3,05	2,52	11,0	96,8	3,58	2,74	11,7	97,2	4,14	2,96	12,5	97,7
7	III	561	2,9	539	2,44	2,30	10,2	99,8	2,81	2,42	11,6	97,7	3,27	2,59	12,6	96,8	3,82	2,81	13,4	97,2
8	III	508	2,4	539	2,21	2,21	10,7	99,8	2,59	2,34	12,0	99,2	3,00	2,48	13,2	97,5	3,48	2,65	14,3	96,7
9	III	473	2,1	539	2,02	2,02	11,8	99,8	2,35	2,23	12,6	99,	2,76	2,38	13,8	97,9	3,17	2,51	15,0	96,4
10	III	433	1,8	539	1,81	1,81	12,9	98,5	2,14	2,14	13,1	99,8	2,52	2,30	14,2	99,	2,94	2,44	15,4	97,7
5	IV	631	3,5	504	2,68	2,29	9,4	97,2	3,16	2,51	10,1	97,6	3,68	2,72	10,8	98,1	4,22	2,93	11,5	98,6
6	IV	582	3,1	504	2,52	2,24	9,7	99,6	2,89	2,37	10,9	97,3	3,39	2,58	11,6	97,6	3,92	2,79	12,4	98,1
7	IV	532	2,6	504	2,31	2,17	10,1	99,8	2,66	2,28	11,5	98,1	3,10	2,44	12,5	97,2	3,62	2,64	13,3	97,6
8	IV	484	2,2	504	2,10	2,08	10,6	99,8	2,46	2,21	11,9	99,7	2,80	2,30	13,3	96,9	3,31	2,50	14,1	97,2
9	IV	450	1,9	504	1,91	1,91	11,6	99,8	2,24	2,10	12,5	99,6	2,62	2,24	13,6	98,4	3,01	2,37	14,9	96,8
10	IV	409	1,6	504	1,72	1,72	12,8	99,6	2,04	2,04	12,8	99,8	2,38	2,14	14,2	98,5	2,81	2,31	15,3	98,3
5	V	554	3,8	445	2,35	1,93	10,0	98,	2,78	2,11	10,7	98,4	3,23	2,30	11,5	98,9	3,70	2,47	12,3	99,5
6	V	512	3,3	445	2,21	1,89	10,3	99,8	2,54	2,00	11,5	98,1	2,98	2,18	12,3	98,5	3,45	2,35	13,1	98,9
7	V	469	2,8	445	2,04	1,83	10,7	99,8	2,35	1,92	12,1	99,	2,73	2,06	13,1	98,1	3,19	2,23	14,0	98,5
8	V	426	2,4	445	1,86	1,76	11,1	99,8	2,15	1,84	12,6	99,5	2,48	1,95	13,9	97,7	2,92	2,12	14,7	98
9	V	401	2,1	445	1,70	1,70	11,6	99,8	1,99	1,79	12,9	99,8	2,34	1,91	14,1	99,5	2,68	2,01	15,4	97,7
10	V	365	1,8	445	1,53	1,53	12,7	99,8	1,81	1,72	13,4	99,8	2,13	1,82	14,7	99,7	2,47	1,93	16,0	98,2
5	VI	501	3,1	402	2,13	1,74	10,0	98,7	2,51	1,91	10,7	99,1	2,92	2,07	11,5	99,5	3,35	2,24	12,3	99,8
6	VI	464	2,7	402	2,01	1,71	10,2	99,8	2,31	1,81	11,5	98,8	2,71	1,97	12,3	99,1	3,13	2,13	13,1	99,6
7	VI	427	2,3	402	1,84	1,64	10,8	99,8	2,14	1,74	12,0	99,8	2,49	1,87	13,0	98,8	2,91	2,03	13,9	99,2
8	VI	389	1,9	402	1,69	1,58	11,2	99,8	1,96	1,67	12,5	99,8	2,27	1,77	13,8	98,4	2,67	1,92	14,7	98,7
9	VI	359	1,7	402	1,54	1,54	11,5	99,8	1,81	1,62	12,9	99,8	2,09	1,70	14,3	99,1	2,44	1,82	15,4	98,4
10	VI	334	1,5	402	1,39	1,39	12,6	99,8	1,66	1,57	13,3	99,8	1,95	1,66	14,6	99,8	2,26	1,76	15,9	99

Spd Fan speed

Afl Air flow rate

Twi Water inlet temperature

G Water flow rate

Δpw Water side pressure drops

Tai Air inlet temperature

UR Relative humidity

QT Cooling capacity (total heat)

QS Cooling capacity (sensitive heat)

Q Heating capacity

Tau Air outlet temperature

Heating capacity

Yardy-DUCT 60					Tai: 10°		Tai: 15°		Tai: 20°		Tai: 22°	
Twi °C	Spd	G l/h	Δpw kPa	Afl m³/h	Q kW	Tau °C	Q kW	Tau °C	Q kW	Tau °C	Q kW	Tau °C
40	I	736	4,4	620	4,87	33,5	4,04	34,5	3,21	35,5	2,89	36,0
45	I	678	3,8	620	5,64	37,3	4,81	38,3	3,99	39,3	3,66	39,7
50	I	618	3,2	620	6,38	40,9	5,55	41,9	4,74	42,9	4,41	43,4
60	I	535	2,5	620	7,85	48,0	7,03	49,0	6,22	50,1	5,90	50,6
70	I	711	4,1	620	10,03	58,6	9,15	59,3	8,28	60,1	7,93	60,4
80	I	872	5,9	620	11,97	67,9	11,05	68,5	10,15	69,1	9,79	69,4
40	II	700	4,0	587	4,64	33,7	3,85	34,7	3,06	35,7	2,75	36,1
45	II	645	3,4	587	5,38	37,5	4,59	38,4	3,80	39,4	3,49	39,8
50	II	589	2,9	587	6,08	41,1	5,30	42,1	4,52	43,1	4,21	43,5
60	II	510	2,2	587	7,49	48,3	6,71	49,3	5,94	50,3	5,63	50,8
70	II	679	3,7	587	9,58	59,0	8,74	59,7	7,91	60,4	7,58	60,7
80	II	834	5,4	587	11,44	68,5	10,57	69,0	9,71	69,6	9,36	69,9
40	III	666	3,7	539	4,40	34,5	3,65	35,3	2,91	36,2	2,61	36,5
45	III	615	3,2	539	5,10	38,4	4,35	39,2	3,61	40,1	3,31	40,4
50	III	561	2,7	539	5,77	42,1	5,03	43,0	4,29	43,9	4,00	44,2
60	III	484	2,1	539	7,10	49,5	6,36	50,4	5,63	51,3	5,34	51,7
70	III	645	3,5	539	9,10	60,6	8,30	61,2	7,50	61,8	7,19	62,0
80	III	793	5,0	539	10,89	70,6	10,06	71,0	9,23	71,4	8,91	71,6
40	IV	631	3,3	504	4,16	34,7	3,44	35,5	2,74	36,3	2,46	36,7
45	IV	582	2,8	504	4,82	38,7	4,11	39,4	3,41	40,3	3,13	40,6
50	IV	532	2,4	504	5,45	42,4	4,75	43,3	4,05	44,1	3,77	44,5
60	IV	456	1,8	504	6,70	49,9	6,00	50,7	5,31	51,6	5,03	52,0
70	IV	608	3,1	504	8,59	61,1	7,83	61,6	7,08	62,1	6,78	62,4
80	IV	750	4,5	504	10,30	71,3	9,51	71,6	8,73	72,0	8,42	72,1
40	V	554	3,4	445	3,80	35,6	3,15	36,2	2,51	36,9	2,25	37,2
45	V	512	2,9	445	4,40	39,7	3,75	40,3	3,11	41,0	2,86	41,3
50	V	469	2,5	445	4,98	43,6	4,34	44,2	3,70	44,9	3,45	45,2
60	V	421	2,1	445	6,18	51,7	5,53	52,3	4,90	53,0	4,64	53,3
70	V	562	3,5	445	7,93	63,5	7,23	63,7	6,54	64,1	6,26	64,2
80	V	695	5,1	445	9,55	74,4	8,82	74,4	8,09	74,6	7,81	74,6
40	VI	501	2,9	402	3,48	35,9	2,88	36,5	2,29	37,1	2,06	37,4
45	VI	464	2,6	402	4,03	40,1	3,44	40,6	2,85	41,3	2,62	41,5
50	VI	427	2,2	402	4,56	44,1	3,97	44,7	3,39	45,3	3,16	45,6
60	VI	386	1,8	402	5,67	52,3	5,08	52,9	4,49	53,5	4,26	53,8
70	VI	515	3,1	402	7,28	64,3	6,63	64,5	6,00	64,7	5,74	67,1
80	VI	640	4,6	402	8,79	75,6	8,12	75,6	7,45	75,6	7,18	75,6

Spd	Fan speed
Afl	Air flow rate
Twi	Water inlet temperature
G	Water flow rate
Δpw	Water side pressure drops
Tai	Air inlet temperature
UR	Relative humidity
QT	Cooling capacity (total heat)
QS	Cooling capacity (sensitive heat)
Q	Heating capacity
Tau	Air outlet temperature

Heating capacity additional coil KB4-4

Yardy-DUCT 60					Tai: 10°		Tai: 15°		Tai: 20°		Tai: 22°	
Ewt °C	Spd	G l/h	Δpw kPa	Afl m³/h	Q kW	Tau °C	Q kW	Tau °C	Q kW	Tau °C	Q kW	Tau °C
60	I	269	3,4	620	3,93	29,0	3,53	32,1	3,13	35,1	2,97	36,4
70	I	356	5,6	620	4,99	34,1	4,56	37,1	4,14	40,0	3,97	41,2
80	I	439	8,2	620	5,99	39,0	5,55	41,9	5,12	44,8	4,94	45,9
60	II	267	3,1	587	3,89	29,9	3,50	32,9	3,11	35,9	2,95	37,1
70	II	354	5,2	587	4,96	35,4	4,54	38,2	4,12	41,1	3,95	42,2
80	II	437	7,6	587	5,96	40,5	5,53	43,2	5,09	46,0	4,92	47,1
60	III	258	3,0	539	3,76	30,9	3,38	33,8	3,00	36,7	2,85	37,8
70	III	344	5,1	539	4,82	36,8	4,41	39,5	4,00	42,3	3,84	43,4
80	III	424	7,4	539	5,79	42,2	5,36	44,9	4,94	47,5	4,77	48,6
60	IV	250	3,0	504	3,65	31,7	3,28	34,5	2,91	37,3	2,76	38,5
70	IV	335	5,0	504	4,70	38,0	4,30	40,6	3,90	43,2	3,74	44,3
80	IV	414	7,3	504	5,64	43,6	5,23	46,1	4,82	48,7	4,65	49,7
60	V	242	2,6	445	3,53	33,8	3,17	36,4	2,82	39,0	2,67	40,0
70	V	327	4,5	445	4,58	40,9	4,19	43,2	3,80	45,6	3,64	46,6
80	V	403	6,6	445	5,50	47,1	5,09	49,3	4,69	51,6	4,53	52,5
60	VI	235	2,3	402	3,44	35,6	3,09	38,0	2,74	40,4	2,60	41,4
70	VI	320	4,0	402	4,48	43,5	4,10	45,6	3,72	47,8	3,57	48,6
80	VI	394	5,8	402	5,38	50,2	4,99	52,2	4,59	54,3	4,43	55,1

YardyDUCT2 74 capacities

Cooling capacity

YardyDUCT2 74					Tai: 23°C / 47% UR				Tai: 25°C / 47% UR				Tai: 27°C / 47% UR				Tai: 29°C / 47% UR			
Twi °C	Spd	G l/h	Δpw kPa	Afl m³/h	QT kW	QS kW	Tau °C	UR %	QT kW	QS kW	Tau °C	UR %	QT kW	QS kW	Tau °C	UR %	QT kW	QS kW	Tau °C	UR %
5	I	644	4,3	402	2,74	2,01	8,0	99,8	3,23	2,21	8,5	99,8	3,75	2,41	9,0	99,8	4,31	2,60	9,6	99,8
6	I	599	3,8	402	2,53	1,93	8,6	99,8	2,98	2,10	9,4	99,8	3,49	2,29	9,9	99,8	4,04	2,48	10,5	99,8
7	I	552	3,3	402	2,34	1,86	9,1	99,8	2,76	2,01	10,0	99,8	3,22	2,17	10,8	99,8	3,76	2,36	11,4	99,8
8	I	503	2,8	402	2,12	1,78	9,7	99,8	2,52	1,92	10,7	99,8	2,94	2,05	11,7	99,8	3,46	2,23	12,3	99,8
9	I	465	2,4	402	1,91	1,70	10,3	99,8	2,29	1,82	11,4	99,8	2,71	1,96	12,3	99,8	3,17	2,11	13,2	99,8
10	I	428	2,1	402	1,70	1,62	10,9	99,8	2,08	1,75	12,0	99,8	2,49	1,89	12,9	99,8	2,92	2,03	13,9	99,8
5	II	700	5,1	445	2,98	2,20	8,2	99,8	3,52	2,42	8,7	99,8	4,08	2,63	9,3	99,8	4,69	2,83	9,9	99,8
6	II	652	4,5	445	2,79	2,14	8,6	99,8	3,24	2,29	9,6	99,8	3,80	2,50	10,1	99,8	4,39	2,70	10,8	99,8
7	II	601	3,9	445	2,55	2,04	9,3	99,8	3,00	2,20	10,2	99,8	3,50	2,37	11,0	99,8	4,08	2,57	11,7	99,8
8	II	547	3,3	445	2,31	1,95	9,9	99,8	2,74	2,09	10,9	99,8	3,19	2,24	11,9	99,8	3,76	2,44	12,6	99,8
9	II	504	2,8	445	2,08	1,86	10,5	99,8	2,51	2,01	11,4	99,8	2,94	2,14	12,6	99,8	3,44	2,31	13,4	99,8
10	II	464	2,5	445	1,86	1,77	11,1	99,8	2,26	1,91	12,1	99,8	2,70	2,07	13,1	99,8	3,17	2,21	14,1	99,8
5	III	778	5,6	504	3,31	2,45	8,4	99,8	3,91	2,69	9,0	99,8	4,54	2,92	9,6	99,8	5,21	3,15	10,2	99,8
6	III	721	4,9	504	3,09	2,37	8,9	99,8	3,58	2,54	9,9	99,8	4,21	2,77	10,5	99,8	4,86	3,00	11,1	99,8
7	III	665	4,2	504	2,81	2,26	9,6	99,8	3,31	2,44	10,5	99,8	3,87	2,63	11,3	99,8	4,51	2,85	12,0	99,8
8	III	615	3,7	504	2,56	2,17	10,1	99,8	3,04	2,33	11,2	99,8	3,58	2,52	12,0	99,8	4,17	2,71	12,9	99,8
9	III	565	3,1	504	2,31	2,09	10,6	99,8	2,77	2,24	11,7	99,8	3,29	2,41	12,7	99,8	3,81	2,57	13,7	99,8
10	III	512	2,6	504	2,06	1,96	11,3	99,8	2,50	2,14	12,3	99,8	2,98	2,29	13,4	99,8	3,49	2,45	14,4	99,8
5	IV	827	5,9	539	3,52	2,60	8,5	99,8	4,15	2,85	9,1	99,8	4,83	3,10	9,7	99,8	5,54	3,34	10,4	99,8
6	IV	766	5,1	539	3,28	2,52	9,0	99,8	3,80	2,70	10,0	99,8	4,46	2,94	10,6	99,8	5,16	3,18	11,3	99,8
7	IV	702	4,4	539	2,99	2,41	9,6	99,8	3,50	2,58	10,7	99,8	4,09	2,78	11,5	99,8	4,77	3,01	12,2	99,8
8	IV	650	3,8	539	2,71	2,29	10,3	99,8	3,21	2,46	11,3	99,8	3,79	2,67	12,2	99,8	4,40	2,86	13,1	99,8
9	IV	596	3,3	539	2,44	2,21	10,7	99,8	2,93	2,36	11,9	99,8	3,47	2,54	12,8	99,8	4,02	2,71	13,9	99,8
10	IV	540	2,7	539	2,18	2,07	11,5	99,8	2,64	2,26	12,4	99,8	3,15	2,42	13,5	99,8	3,72	2,62	14,4	99,8
5	V	885	6,6	587	3,76	2,79	8,7	99,8	4,45	3,06	9,4	99,8	5,17	3,33	10,0	99,8	5,93	3,59	10,7	99,8
6	V	820	5,7	587	3,51	2,70	9,2	99,8	4,07	2,89	10,2	99,8	4,78	3,15	10,9	99,8	5,52	3,41	11,6	99,8
7	V	750	4,9	587	3,20	2,59	9,8	99,8	3,74	2,76	10,9	99,8	4,37	2,98	11,8	99,8	5,10	3,23	12,5	99,8
8	V	692	4,2	587	2,89	2,47	10,4	99,8	3,44	2,66	11,4	99,8	4,03	2,85	12,4	99,8	4,68	3,06	13,4	99,8
9	V	631	3,6	587	2,59	2,35	11,0	99,8	3,11	2,52	12,1	99,8	3,68	2,71	13,1	99,8	4,31	2,93	14,1	99,8
10	V	572	3,0	587	2,32	2,20	11,8	99,8	2,80	2,41	12,7	99,8	3,33	2,58	13,8	99,8	3,94	2,79	14,7	99,8
5	VI	925	7,2	620	3,93	2,92	8,9	99,8	4,65	3,21	9,5	99,8	5,40	3,49	10,1	99,8	6,20	3,76	10,8	99,8
6	VI	856	6,2	620	3,66	2,83	9,3	99,8	4,25	3,03	10,3	99,8	4,99	3,30	11,0	99,8	5,77	3,57	11,7	99,8
7	VI	783	5,3	620	3,34	2,71	9,9	99,8	3,90	2,89	11,0	99,8	4,56	3,12	11,9	99,8	5,32	3,38	12,6	99,8
8	VI	721	4,6	620	3,01	2,59	10,5	99,8	3,58	2,78	11,5	99,8	4,20	2,98	12,6	99,8	4,88	3,20	13,5	99,8
9	VI	655	3,9	620	2,70	2,46	11,1	99,8	3,23	2,63	12,3	99,8	3,82	2,83	13,3	99,8	4,48	3,05	14,2	99,8
10	VI	597	3,3	620	2,41	2,29	11,9	99,8	2,91	2,51	12,9	99,8	3,47	2,72	13,9	99,8	4,09	2,91	14,9	99,8

Spd Fan speed

Afl Air flow rate

Twi Water inlet temperature

G Water flow rate

Δpw Water side pressure drops

Tai Air inlet temperature

UR Relative humidity

QT Cooling capacity (total heat)

QS Cooling capacity (sensitive heat)

Q Heating capacity

Tau Air outlet temperature

Heating capacity

Yardy-DUCT 74					Tai: 10°		Tai: 15°		Tai: 20°		Tai: 22°	
Twi °C	Spd	G l/h	Δpw kPa	Afl m³/h	Q kW	Tau °C	Q kW	Tau °C	Q kW	Tau °C	Q kW	Tau °C
40	I	644	4,1	402	3,64	37,1	3,01	37,5	2,39	37,9	2,15	38,0
45	I	599	3,6	402	4,23	41,6	3,60	41,9	2,98	42,2	2,74	42,4
50	I	553	3,1	402	4,81	45,9	4,18	46,2	3,56	46,6	3,31	46,7
60	I	380	1,6	402	5,74	52,9	5,13	53,3	4,54	53,8	4,30	54,1
70	I	505	2,7	402	7,28	64,3	6,62	64,4	5,98	64,6	5,72	64,7
80	I	625	3,9	402	8,73	75,2	8,05	75,1	7,37	75,0	7,11	75,0
40	II	700	4,9	445	3,97	36,8	3,29	37,2	2,61	37,6	2,35	37,8
45	II	652	4,3	445	4,62	41,2	3,93	41,5	3,26	42,0	2,99	42,2
50	II	601	3,7	445	5,26	45,5	4,57	45,8	3,89	46,2	3,62	46,4
60	II	415	1,9	445	6,27	52,3	5,61	52,8	4,96	53,4	4,70	53,7
70	II	551	3,2	445	7,95	63,6	7,24	63,8	6,53	64,1	6,26	64,2
80	II	682	4,7	445	9,52	74,2	8,78	74,2	8,05	74,2	7,76	74,3
40	III	778	5,3	504	4,34	35,9	3,60	36,4	2,86	37,0	2,57	37,3
45	III	721	4,6	504	5,05	40,1	4,30	40,6	3,56	41,2	3,27	41,4
50	III	665	4,0	504	5,74	44,2	4,99	44,7	4,25	45,3	3,96	45,5
60	III	454	2,0	504	6,83	50,7	6,11	51,4	5,40	52,1	5,12	52,5
70	III	602	3,3	504	8,67	61,6	7,89	62,0	7,13	62,4	6,82	62,6
80	III	743	4,9	504	10,36	71,7	9,55	71,8	8,75	72,1	8,44	72,2
40	IV	827	5,6	539	4,60	35,6	3,81	36,2	3,03	36,9	2,72	37,1
45	IV	766	4,9	539	5,35	39,8	4,55	40,3	3,77	41,0	3,46	41,3
50	IV	702	4,2	539	6,08	43,8	5,28	44,4	4,50	45,0	4,19	45,3
60	IV	480	2,1	539	7,24	50,3	6,47	51,0	5,72	51,8	5,42	52,2
70	IV	637	3,5	539	9,17	61,1	8,35	61,5	7,54	62,0	7,22	62,2
80	IV	784	5,1	539	10,94	70,9	10,09	71,2	9,25	71,5	8,92	71,6
40	V	885	6,3	587	4,86	34,8	4,02	35,6	3,20	36,3	2,87	36,7
45	V	820	5,5	587	5,65	38,9	4,81	39,6	3,98	40,4	3,65	40,7
50	V	750	4,7	587	6,42	42,8	5,58	43,5	4,75	44,3	4,42	44,6
60	V	507	2,3	587	7,62	48,9	6,81	49,8	6,02	50,8	5,71	51,2
70	V	671	3,8	587	9,66	59,4	8,80	60,0	7,95	60,6	7,61	60,9
80	V	823	5,5	587	11,51	68,8	10,61	69,2	9,73	69,7	9,39	70,0
40	VI	926	6,8	620	5,09	34,6	4,22	35,4	3,35	36,2	3,01	36,6
45	VI	856	5,9	620	5,92	38,6	5,04	39,4	4,18	40,2	3,83	40,5
50	VI	783	5,0	620	6,72	42,5	5,85	43,3	4,98	44,1	4,64	44,4
60	VI	532	2,5	620	7,99	48,7	7,15	49,6	6,32	50,6	5,99	51,0
70	VI	703	4,2	620	10,13	59,0	9,22	59,6	8,33	60,3	7,98	60,6
80	VI											

Spd	Fan speed
Afl	Air flow rate
Twi	Water inlet temperature
G	Water flow rate
Δpw	Water side pressure drops
Tai	Air inlet temperature
UR	Relative humidity
QT	Cooling capacity (total heat)
QS	Cooling capacity (sensitive heat)
Q	Heating capacity
Tau	Air outlet temperature

Heating capacity additional coil KB4-4

Yardy-DUCT 74					Tai: 10°		Tai: 15°		Tai: 20°		Tai: 22°	
Ewt °C	Spd	G l/h	Δpw kPa	Afl m³/h	Q kW	Tau °C	Q kW	Tau °C	Q kW	Tau °C	Q kW	Tau °C
60	I	223	2,5	402	3,53	36,4	3,17	38,7	2,81	41,0	2,67	41,9
70	I	303	2,6	402	4,26	41,8	3,89	44,0	3,53	46,3	3,39	47,3
80	I	374	2,7	402	4,98	47,1	4,61	49,4	4,24	51,7	4,10	52,6
60	II	230	2,1	445	3,61	34,4	3,24	36,9	2,88	39,4	2,73	40,4
70	II	310	2,2	445	4,35	39,3	3,98	41,8	3,61	44,3	3,46	45,3
80	II	383	2,3	445	5,09	44,3	4,71	46,8	4,34	49,3	4,19	50,3
60	III	238	2,5	504	3,71	32,1	3,33	34,8	2,96	37,6	2,81	38,7
70	III	319	2,7	504	4,47	36,6	4,09	39,3	3,71	42,1	3,56	43,2
80	III	394	2,8	504	5,23	41,1	4,84	43,8	4,46	46,6	4,31	47,6
60	IV	245	2,8	539	3,80	31,2	3,41	34,0	3,03	36,9	2,88	38,0
70	IV	326	3,0	539	4,58	35,5	4,19	38,3	3,80	41,2	3,65	42,3
80	IV	403	3,1	539	5,35	39,8	4,96	42,6	4,57	45,4	4,41	46,6
60	V	253	2,9	587	3,91	30,0	3,51	33,0	3,12	35,9	2,96	37,1
70	V	336	3,0	587	4,71	34,1	4,31	37,0	3,91	40,0	3,75	41,2
80	V	415	3,1	587	5,51	38,2	5,10	41,1	4,70	44,0	4,54	45,2
60	VI	255	3,2	620	3,93	29,0	3,53	32,1	3,13	35,2	2,97	36,4
70	VI	338	3,4	620	4,73	32,9	4,33	36,0	3,93	39,0	3,77	40,2
80	VI	417	3,6	620	5,54	36,8	5,13	39,8	4,73	42,9	4,57	44,1

YardyDUCT2 80 capacities

Cooling capacity

Yardy-DUCT 80					Tai: 23°C / 47% UR				Tai: 25°C / 47% UR				Tai: 27°C / 47% UR				Tai: 29°C / 47% UR			
Twi °C	Spd	G l/h	Δpw kPa	Afl m³/h	QT kW	QS kW	Tau °C	UR %	QT kW	QS kW	Tau °C	UR %	QT kW	QS kW	Tau °C	UR %	QT kW	QS kW	Tau °C	UR %
5	I	1024	12,2	912	4,35	3,97	9,9	93,3	5,14	4,35	10,7	93,6	5,97	4,73	11,5	94,1	6,85	5,09	12,3	94,7
6	I	941	10,5	912	4,01	3,82	10,4	94,3	4,68	4,11	11,5	93,3	5,49	4,47	12,3	93,7	6,34	4,83	13,1	94,2
7	I	855	8,8	912	3,70	3,70	10,8	96,	4,20	3,86	12,3	93,	4,98	4,21	13,1	93,3	5,81	4,56	14,0	93,6
8	I	764	7,2	912	3,38	3,38	11,9	97,8	3,87	3,74	12,7	94,5	4,45	3,95	14,0	92,9	5,25	4,28	14,9	93,2
9	I	714	6,4	912	3,09	3,09	12,8	99,2	3,57	3,57	13,3	95,4	4,16	3,86	14,3	94,4	4,78	4,06	15,6	92,8
10	I	649	5,4	912	2,74	2,74	14,0	94,	3,24	3,24	14,3	96,6	3,78	3,71	14,8	95,1	4,40	3,93	16,1	94
5	II	974	11,1	858	4,14	3,80	9,7	93,7	4,89	4,17	10,4	94,	5,68	4,52	11,2	94,5	6,51	4,87	12,0	95,1
6	II	896	9,5	858	3,81	3,66	10,2	94,7	4,45	3,93	11,3	93,7	5,22	4,28	12,0	94,1	6,04	4,62	12,8	94,6
7	II	814	8,0	858	3,52	3,52	10,7	96,3	4,00	3,69	12,1	93,4	4,74	4,03	12,9	93,7	5,53	4,36	13,7	94
8	II	728	6,5	858	3,21	3,21	11,8	98,1	3,68	3,58	12,5	94,8	4,24	3,78	13,8	93,3	5,00	4,10	14,7	93,6
9	II	680	5,8	858	2,94	2,94	12,7	99,6	3,39	3,39	13,1	95,8	3,96	3,69	14,1	94,8	4,55	3,89	15,4	93,2
10	II	618	4,9	858	2,61	2,61	13,9	94,3	3,08	3,08	14,2	97,	3,60	3,55	14,6	95,5	4,19	3,76	15,8	94,4
5	III	926	7,6	820	3,94	3,46	10,3	94,	4,65	3,79	11,1	94,3	5,40	4,12	11,9	94,8	6,19	4,43	12,8	95,4
6	III	852	6,5	820	3,62	3,33	10,8	95,	4,23	3,58	11,9	94,	4,97	3,90	12,7	94,4	5,74	4,21	13,6	94,9
7	III	774	5,5	820	3,35	3,23	11,2	96,6	3,80	3,36	12,7	93,7	4,51	3,67	13,6	94,	5,26	3,97	14,5	94,4
8	III	692	4,5	820	3,05	3,05	11,8	98,4	3,50	3,26	13,1	95,1	4,04	3,44	14,4	93,6	4,76	3,73	15,3	93,9
9	III	647	4,0	820	2,79	2,79	12,8	99,8	3,25	3,20	13,3	97,3	3,77	3,36	14,7	95,	4,33	3,54	16,0	93,5
10	III	589	3,4	820	2,48	2,48	13,9	94,6	2,93	2,93	14,3	97,3	3,43	3,23	15,2	95,8	3,99	3,43	16,5	94,7
5	IV	878	6,9	772	3,73	3,31	10,1	94,4	4,41	3,63	10,9	94,7	5,12	3,93	11,7	95,2	5,87	4,24	12,5	95,8
6	IV	808	5,9	772	3,43	3,18	10,6	95,4	4,01	3,42	11,7	94,4	4,71	3,72	12,5	94,8	5,44	4,02	13,4	95,3
7	IV	735	5,0	772	3,21	3,14	10,8	98,4	3,61	3,21	12,5	94,1	4,28	3,51	13,4	94,4	4,99	3,80	14,2	94,8
8	IV	657	4,1	772	2,90	2,90	11,7	98,7	3,37	3,16	12,7	96,7	3,83	3,29	14,2	94,	4,52	3,57	15,1	94,3
9	IV	615	3,6	772	2,65	2,65	12,7	99,8	3,09	3,06	13,1	97,7	3,58	3,21	14,5	95,4	4,12	3,39	15,8	94
10	IV	559	3,1	772	2,35	2,35	13,9	95,	2,78	2,78	14,2	97,7	3,26	3,09	15,0	96,2	3,79	3,28	16,3	95,1
5	V	822	6,1	715	3,49	3,13	9,9	94,9	4,12	3,43	10,6	95,3	4,79	3,72	11,4	95,7	5,49	4,00	12,2	96,3
6	V	756	5,2	715	3,22	3,01	10,4	95,9	3,76	3,23	11,4	94,9	4,41	3,52	12,2	95,3	5,10	3,80	13,0	95,8
7	V	688	4,4	715	3,00	2,96	10,6	98,9	3,45	3,10	12,0	95,8	4,01	3,32	13,1	94,9	4,68	3,59	13,9	95,3
8	V	617	3,6	715	2,71	2,71	11,6	99,3	3,16	2,99	12,4	97,1	3,59	3,12	13,9	94,5	4,24	3,38	14,8	94,8
9	V	577	3,2	715	2,48	2,48	12,6	99,8	2,89	2,89	12,9	98,2	3,36	3,04	14,2	95,9	3,86	3,21	15,5	94,5
10	V	525	2,7	715	2,21	2,21	13,7	95,7	2,61	2,61	14,1	98,3	3,06	2,93	14,7	96,7	3,56	3,11	16,0	95,6
5	VI	827	5,8	685	3,52	3,01	9,8	95,2	4,15	3,30	10,5	95,5	4,82	3,58	11,3	96,	5,53	3,86	12,1	96,6
6	VI	762	5,0	685	3,24	2,90	10,3	96,1	3,78	3,12	11,4	95,2	4,44	3,39	12,1	95,6	5,13	3,66	13,0	96,1
7	VI	693	4,2	685	3,03	2,86	10,5	99,1	3,47	2,99	11,9	96,1	4,04	3,20	13,0	95,2	4,71	3,46	13,8	95,6
8	VI	622	3,5	685	2,73	2,72	11,1	99,6	3,18	2,88	12,4	97,4	3,62	3,00	13,8	94,8	4,27	3,26	14,7	95,1
9	VI	581	3,1	685	2,49	2,49	12,1	99,8	2,92	2,79	12,8	98,5	3,38	2,93	14,2	96,2	3,89	3,09	15,5	94,8
10	VI	529	2,6	685	2,22	2,22	13,3	96,	2,63	2,63	13,5	98,6	3,08	2,82	14,6	97,	3,59	3,00	15,9	95,9

Spd	Fan speed
Afl	Air flow rate
Twi	Water inlet temperature
G	Water flow rate
Δpw	Water side pressure drops
Tai	Air inlet temperature
UR	Relative humidity
QT	Cooling capacity (total heat)
QS	Cooling capacity (sensitive heat)
Q	Heating capacity
Tau	Air outlet temperature

Heating capacity

Yardy-DUCT 80					Tai: 10°		Tai: 15°		Tai: 20°		Tai: 22°	
Twi °C	Spd	G l/h	Δpw kPa	Afl m³/h	Q kW	Tau °C	Q kW	Tau °C	Q kW	Tau °C	Q kW	Tau °C
40	I	1024	11,2	912	7,03	33,1	5,83	34,2	4,65	35,3	4,17	35,7
45	I	941	9,6	912	8,14	36,8	6,94	37,8	5,76	39,0	5,29	39,4
50	I	855	8,1	912	9,19	40,2	8,01	41,3	6,84	42,5	6,37	43,0
60	I	779	6,9	912	11,44	47,6	10,25	48,7	9,07	49,9	8,61	50,3
70	I	1018	11,1	912	14,35	57,2	13,09	58,1	11,85	59,0	11,36	59,4
80	I	1250	16,1	912	17,14	66,4	15,84	67,1	14,55	67,9	14,05	68,2
40	II	974	10,2	858	6,69	33,4	5,55	34,4	4,42	35,5	3,97	35,9
45	II	896	8,8	858	7,74	37,1	6,61	38,1	5,48	39,2	5,04	39,6
50	II	814	7,4	858	8,75	40,6	7,62	41,7	6,51	42,8	6,06	43,2
60	II	742	6,3	858	10,89	48,1	9,76	49,1	8,64	50,2	8,19	50,6
70	II	972	10,2	858	13,70	57,9	12,50	58,7	11,31	59,6	10,84	59,9
80	II	1193	14,7	858	16,36	67,2	15,12	67,9	13,89	68,6	13,40	68,9
40	III	926	7,0	820	6,62	34,2	5,49	35,1	4,38	36,0	3,93	36,4
45	III	852	6,1	820	7,66	38,0	6,54	38,9	5,43	39,9	4,98	40,2
50	III	774	5,1	820	8,65	41,7	7,54	42,6	6,44	43,5	6,00	43,9
60	III	742	4,7	820	10,88	49,8	9,75	50,7	8,64	51,6	8,19	52,0
70	III	974	7,7	820	13,72	60,2	12,52	60,8	11,33	61,5	10,86	61,7
80	III	1195	11,1	820	16,39	69,9	15,14	70,4	13,91	70,9	13,42	71,1
40	IV	878	6,3	772	6,30	34,5	5,23	35,3	4,17	36,2	3,74	36,5
45	IV	822	5,6	715	5,91	34,8	4,90	35,6	3,91	36,4	3,51	36,7
50	IV	827	5,4	685	5,91	35,9	4,90	36,5	3,91	37,1	3,51	37,4
60	IV	808	5,5	772	7,29	38,3	6,23	39,2	5,17	40,1	4,74	40,4
70	IV	735	4,6	772	8,24	42,0	7,18	42,9	6,13	43,8	5,71	44,2
80	IV	707	4,3	772	10,38	50,3	9,30	51,1	8,23	52,0	7,81	52,3
40	V	931	7,0	772	13,12	61,0	11,97	61,5	10,83	62,1	10,38	62,3
45	V	1142	10,2	772	15,66	70,9	14,47	71,2	13,29	71,7	12,83	71,8
50	V	756	4,9	715	6,84	38,7	5,84	39,5	4,84	40,3	4,45	40,7
60	V	688	4,1	715	7,73	42,4	6,73	43,2	5,75	44,1	5,35	44,5
70	V	664	3,8	715	9,74	50,9	8,73	51,6	7,73	52,4	7,33	52,7
80	V	877	6,3	715	12,36	61,9	11,28	62,3	10,20	62,8	9,78	63,0
40	VI	1076	9,2	715	14,75	71,9	13,63	72,2	12,52	72,5	12,08	72,7
45	VI	762	4,6	685	6,84	40,0	5,84	40,6	4,84	41,2	4,45	41,5
50	VI	693	3,9	685	7,73	43,9	6,73	44,5	5,75	45,2	5,35	45,5
60	VI	662	3,6	685	9,72	52,6	8,71	53,1	7,71	53,8	7,31	54,0
70	VI	877	6,0	685	12,36	64,2	11,28	64,4	10,21	64,7	9,78	67,1
80	VI	1075	8,6	685	14,75	74,6	13,63	74,7	12,52	74,8	12,08	74,9

Spd	Fan speed
Afl	Air flow rate
Twi	Water inlet temperature
G	Water flow rate
Δpw	Water side pressure drops
Tai	Air inlet temperature
UR	Relative humidity
QT	Cooling capacity (total heat)
QS	Cooling capacity (sensitive heat)
Q	Heating capacity
Tau	Air outlet temperature

Heating capacity additional coil KB4-4

Yardy-DUCT 80					Tai: 10°		Tai: 15°		Tai: 20°		Tai: 22°	
Ewt °C	Spd	G l/h	Δpw kPa	Afl m³/h	Q kW	Tau °C	Q kW	Tau °C	Q kW	Tau °C	Q kW	Tau °C
60	I	333	4,9	912	4,87	26,0	4,37	29,4	3,88	32,8	3,69	34,1
70	I	437	8,0	912	6,13	30,2	5,61	33,4	5,09	36,7	4,88	38,1
80	I	541	11,7	912	7,37	34,2	6,83	37,5	6,30	40,7	6,08	42,0
60	II	321	4,6	858	4,69	26,4	4,21	29,7	3,74	33,1	3,55	34,4
70	II	421	7,5	858	5,90	30,6	5,40	33,9	4,90	37,1	4,70	38,4
80	II	521	11,0	858	7,09	34,8	6,58	38,0	6,06	41,2	5,85	42,5
60	III	315	4,6	820	4,59	26,8	4,13	30,1	3,66	33,4	3,48	34,7
70	III	412	7,4	820	5,78	31,1	5,29	34,3	4,80	37,6	4,60	38,8
80	III	510	10,9	820	6,95	35,4	6,44	38,6	5,94	41,7	5,73	43,0
60	IV	308	4,5	772	4,50	27,5	4,04	30,7	3,59	33,9	3,41	35,2
70	IV	404	7,3	772	5,66	32,0	5,18	35,1	4,70	38,3	4,51	39,5
80	IV	499	10,7	772	6,80	36,4	6,31	39,5	5,81	42,6	5,61	43,8
60	V	301	4,1	715	4,39	28,4	3,94	31,5	3,50	34,7	3,32	35,9
70	V	394	6,7	715	5,53	33,2	5,06	36,2	4,59	39,3	4,40	40,5
80	V	487	9,8	715	6,64	37,9	6,16	40,8	5,67	43,8	5,48	45,0
60	VI	293	3,9	685	4,27	28,7	3,84	31,8	3,41	34,9	3,23	36,2
70	VI	385	6,4	685	5,40	33,6	4,94	36,6	4,48	39,6	4,30	40,8
80	VI	476	9,4	685	6,48	38,4	6,01	41,3	5,54	44,3	5,35	45,4

YardyDUCT2 88 capacities

Cooling capacity

Yardy-DUCT 88					Tai: 23°C / 47% UR				Tai: 25°C / 47% UR				Tai: 27°C / 47% UR				Tai: 29°C / 47% UR			
Twi °C	Spd	G l/h	Δpw kPa	Afl m³/h	QT kW	QS kW	Tau °C	UR %	QT kW	QS kW	Tau °C	UR %	QT kW	QS kW	Tau °C	UR %	QT kW	QS kW	Tau °C	UR %
5	I	994	7,0	680	4,23	3,15	9,1	99,8	4,99	3,46	9,7	99,8	5,80	3,76	10,4	99,8	6,66	4,05	11,1	99,8
6	I	919	6,1	680	3,93	3,05	9,5	99,8	4,56	3,26	10,6	99,8	5,35	3,56	11,3	99,8	6,19	3,85	12,0	99,8
7	I	840	5,2	680	3,58	2,92	10,1	99,8	4,18	3,11	11,3	99,8	4,89	3,36	12,2	99,8	5,70	3,64	12,9	99,8
8	I	773	4,5	680	3,23	2,79	10,7	99,8	3,84	2,99	11,8	99,8	4,50	3,21	12,8	99,8	5,23	3,45	13,8	99,8
9	I	701	3,8	680	2,88	2,68	11,2	99,8	3,45	2,83	12,5	99,8	4,08	3,05	13,6	99,8	4,79	3,28	14,5	99,8
10	I	633	3,1	680	2,57	2,45	12,2	99,8	3,09	2,71	13,0	99,8	3,69	2,91	14,2	99,8	4,34	3,12	15,3	99,8
5	II	1025	7,6	708	4,36	3,26	9,2	99,8	5,15	3,57	9,9	99,8	5,99	3,88	10,6	99,8	6,87	4,18	11,3	99,8
6	II	947	6,6	708	4,06	3,15	9,6	99,8	4,70	3,37	10,7	99,8	5,52	3,68	11,4	99,8	6,38	3,97	12,2	99,8
7	II	865	5,6	708	3,70	3,02	10,2	99,8	4,31	3,22	11,4	99,8	5,04	3,47	12,3	99,8	5,88	3,76	13,1	99,8
8	II	796	4,8	708	3,33	2,88	10,8	99,8	3,96	3,09	11,9	99,8	4,63	3,31	13,0	99,8	5,38	3,56	13,9	99,8
9	II	722	4,0	708	2,97	2,77	11,3	99,8	3,56	2,92	12,6	99,8	4,20	3,15	13,7	99,8	4,93	3,39	14,6	99,8
10	II	651	3,4	708	2,65	2,52	12,3	99,8	3,18	2,80	13,1	99,8	3,79	3,00	14,3	99,8	4,46	3,21	15,4	99,8
5	III	1082	8,7	759	4,60	3,45	9,4	99,8	5,44	3,78	10,1	99,8	6,32	4,11	10,8	99,8	7,25	4,43	11,5	99,8
6	III	999	7,6	759	4,28	3,34	9,8	99,8	4,96	3,57	10,9	99,8	5,82	3,89	11,6	99,8	6,73	4,20	12,4	99,8
7	III	912	6,4	759	3,90	3,20	10,4	99,8	4,54	3,40	11,5	99,8	5,31	3,67	12,5	99,8	6,19	3,98	13,3	99,8
8	III	838	5,5	759	3,52	3,05	10,9	99,8	4,17	3,27	12,1	99,8	4,88	3,50	13,1	99,8	5,67	3,76	14,1	99,8
9	III	759	4,6	759	3,13	2,92	11,4	99,8	3,75	3,12	12,7	99,8	4,42	3,33	13,9	99,8	5,18	3,58	14,8	99,8
10	III	684	3,8	759	2,79	2,66	12,5	99,8	3,34	2,95	13,3	99,8	3,98	3,17	14,5	99,8	4,69	3,39	15,6	99,8
5	IV	1128	9,5	800	4,79	3,60	9,5	99,8	5,67	3,95	10,2	99,8	6,58	4,29	10,9	99,8	7,56	4,62	11,7	99,8
6	IV	1041	8,3	800	4,46	3,49	9,9	99,8	5,17	3,72	11,0	99,8	6,07	4,06	11,8	99,8	7,01	4,39	12,5	99,8
7	IV	950	7,0	800	4,06	3,34	10,5	99,8	4,73	3,55	11,7	99,8	5,53	3,83	12,6	99,8	6,45	4,15	13,4	99,8
8	IV	872	6,0	800	3,66	3,19	11,1	99,8	4,34	3,41	12,2	99,8	5,07	3,66	13,3	99,8	5,90	3,92	14,3	99,8
9	IV	789	5,0	800	3,26	3,05	11,6	99,8	3,90	3,25	12,8	99,8	4,59	3,47	14,0	99,8	5,39	3,73	15,0	99,8
10	IV	711	4,2	800	2,90	2,78	12,6	99,8	3,48	3,08	13,5	99,8	4,14	3,30	14,6	99,8	4,87	3,54	15,7	99,8
5	V	1155	10,8	828	4,91	3,69	9,6	99,8	5,80	4,05	10,3	99,8	6,74	4,40	11,0	99,8	7,74	4,75	11,8	99,8
6	V	1065	9,3	828	4,57	3,58	10,0	99,8	5,29	3,82	11,1	99,8	6,21	4,17	11,9	99,8	7,18	4,50	12,7	99,8
7	V	972	7,9	828	4,16	3,43	10,6	99,8	4,84	3,65	11,8	99,8	5,66	3,93	12,8	99,8	6,60	4,26	13,6	99,8
8	V	892	6,8	828	3,75	3,27	11,2	99,8	4,44	3,50	12,3	99,8	5,19	3,75	13,4	99,8	6,03	4,02	14,4	99,8
9	V	807	5,7	828	3,34	3,13	11,7	99,8	3,99	3,34	12,9	99,8	4,70	3,56	14,1	99,8	5,51	3,83	15,1	99,8
10	V	727	4,7	828	2,97	2,85	12,7	99,8	3,56	3,16	13,6	99,8	4,23	3,39	14,7	99,8	4,97	3,63	15,9	99,8
5	VI	1192	11,5	862	5,07	3,82	9,7	99,8	5,99	4,19	10,4	99,8	6,96	4,55	11,2	99,8	7,99	4,90	11,9	99,8
6	VI	1100	9,9	862	4,71	3,70	10,1	99,8	5,46	3,95	11,3	99,8	6,41	4,31	12,0	99,8	7,41	4,65	12,8	99,8
7	VI	1003	8,4	862	4,29	3,55	10,7	99,8	5,00	3,77	11,9	99,8	5,84	4,06	12,9	99,8	6,81	4,40	13,7	99,8
8	VI	920	7,2	862	3,87	3,38	11,2	99,8	4,58	3,62	12,4	99,8	5,35	3,88	13,5	99,8	6,22	4,16	14,5	99,8
9	VI	832	6,0	862	3,45	3,24	11,7	99,8	4,12	3,45	13,0	99,8	4,84	3,67	14,2	99,8	5,68	3,95	15,2	99,8
10	VI	749	5,0	862	3,06	2,94	12,8	99,7	3,67	3,26	13,6	99,8	4,36	3,50	14,8	99,8	5,12	3,74	16,0	99,8

Spd Fan speed**Afl** Air flow rate**Twi** Water inlet temperature**G** Water flow rate**Δpw** Water side pressure drops**Tai** Air inlet temperature**UR** Relative humidity**QT** Cooling capacity (total heat)**QS** Cooling capacity (sensitive heat)**Q** Heating capacity**Tau** Air outlet temperature

Heating capacity

Yardy-DUCT 88					Tai: 10°		Tai: 15°		Tai: 20°		Tai: 22°	
Twi °C	Spd	G l/h	Δpw kPa	Afl m³/h	Q kW	Tau °C	Q kW	Tau °C	Q kW	Tau °C	Q kW	Tau °C
40	I	994	6,6	680	6,13	37,0	5,08	37,4	4,04	37,8	3,62	38,0
45	I	919	5,8	680	7,12	41,4	6,06	41,7	5,02	42,2	4,61	42,3
50	I	840	4,9	680	8,09	45,7	7,03	46,0	5,99	46,4	5,58	46,6
60	I	639	3,0	680	9,81	53,3	8,78	53,7	7,76	54,2	7,35	54,4
70	I	844	4,9	680	12,28	64,2	11,18	64,3	10,10	64,6	9,68	64,7
80	I	1029	7,1	680	14,56	74,2	13,43	74,3	12,32	74,4	11,88	74,4
40	II	1026	7,2	708	6,18	36,2	5,12	36,7	4,07	37,2	3,66	37,5
45	II	947	6,2	708	7,18	40,4	6,11	40,9	5,07	41,5	4,65	41,7
50	II	865	5,3	708	8,15	44,5	7,09	45,0	6,04	45,6	5,62	45,8
60	II	645	3,1	708	9,85	51,8	8,82	52,4	7,79	53,0	7,39	53,3
70	II	850	5,1	708	12,34	62,3	11,24	62,6	10,16	63,0	9,73	63,2
80	II	1035	7,3	708	14,64	72,0	13,51	72,2	12,39	72,5	11,95	72,6
40	III	1083	8,3	759	6,59	36,0	5,46	36,6	4,34	37,2	3,90	37,4
45	III	999	7,2	759	7,65	40,2	6,52	40,8	5,40	41,4	4,96	41,6
50	III	911	6,1	759	8,69	44,3	7,56	44,9	6,44	45,4	6,00	45,7
60	III	687	3,7	759	10,53	51,6	9,42	52,2	8,33	52,9	7,89	53,2
70	III	904	6,0	759	13,14	61,9	11,97	62,3	10,82	62,8	10,36	63,0
80	III	1098	8,5	759	15,59	71,6	14,38	71,9	13,20	72,2	12,73	72,3
40	IV	1128	9,1	800	6,91	35,9	5,73	36,5	4,56	37,1	4,09	37,3
45	IV	1041	7,9	800	8,03	40,1	6,84	40,7	5,67	41,3	5,20	41,5
50	IV	949	6,7	800	9,12	44,2	7,93	44,7	6,76	45,3	6,29	45,6
60	IV	721	4,1	800	11,06	51,5	9,90	52,1	8,75	52,8	8,30	53,1
70	IV	946	6,7	800	13,77	61,7	12,55	62,1	11,34	62,5	10,86	62,7
80	IV	1148	9,4	800	16,34	71,3	15,08	71,6	13,84	71,9	13,35	72,0
40	V	1155	10,2	828	7,00	35,3	5,80	36,0	4,61	36,7	4,14	37,0
45	V	1066	8,9	828	8,13	39,4	6,92	40,1	5,74	40,8	5,27	41,1
50	V	972	7,5	828	9,23	43,4	8,03	44,1	6,84	44,8	6,37	45,1
60	V	729	4,5	828	11,17	50,5	10,00	51,2	8,84	52,0	8,38	52,4
70	V	955	7,3	828	13,91	60,4	12,67	60,9	11,45	61,5	10,97	61,8
80	V	1158	10,3	828	16,51	69,8	15,23	70,2	13,98	70,6	13,48	70,8
40	VI	1193	10,9	862	7,35	35,6	6,09	36,2	4,84	36,9	4,35	37,1
45	VI	1100	9,5	862	8,53	39,7	7,27	40,3	6,02	41,0	5,53	41,2
50	VI	1002	8,0	862	9,68	43,7	8,42	44,3	7,18	45,0	6,69	45,3
60	VI	765	4,9	862	11,76	50,9	10,53	51,6	9,31	52,4	8,82	52,7
70	VI	1000	8,0	862	14,61	60,8	13,31	61,3	12,03	61,9	11,52	62,1
80	VI	1212	11,3	862	17,33	70,3	16,00	70,7	14,68	71,1	14,16	71,3

Spd Fan speed

Afl Air flow rate

Twi Water inlet temperature

G Water flow rate

Δpw Water side pressure drops

Tai Air inlet temperature

UR Relative humidity

QT Cooling capacity (total heat)

QS Cooling capacity (sensitive heat)

Q Heating capacity

Tau Air outlet temperature

Heating capacity additional coil KB4-4

Yardy-DUCT 88					Tai: 10°		Tai: 15°		Tai: 20°		Tai: 22°	
Ewt °C	Spd	G l/h	Δpw kPa	Afl m³/h	Q kW	Tau °C	Q kW	Tau °C	Q kW	Tau °C	Q kW	Tau °C
60	I	278	3,6	680	4,26	28,8	3,83	31,9	3,39	35,0	3,22	36,2
70	I	366	3,8	680	5,13	32,6	4,69	35,7	4,26	38,8	4,09	40,0
80	I	452	3,9	680	6,00	36,5	5,56	39,5	5,12	42,6	4,95	43,8
60	II	285	3,8	708	4,36	28,5	3,92	31,6	3,47	34,7	3,30	36,0
70	II	375	4,0	708	5,25	32,3	4,80	35,4	4,36	38,5	4,18	39,7
80	II	463	4,2	708	6,14	36,0	5,69	39,1	5,24	42,2	5,07	43,5
60	III	293	4,3	759	4,47	27,7	4,01	30,9	3,56	34,1	3,38	35,4
70	III	384	4,5	759	5,38	31,3	4,93	34,5	4,47	37,7	4,29	38,9
80	III	475	4,7	759	6,30	34,9	5,84	38,1	5,38	41,3	5,19	42,5
60	IV	299	4,4	800	4,56	27,1	4,09	30,4	3,63	33,6	3,45	34,9
70	IV	392	4,7	800	5,49	30,6	5,02	33,8	4,56	37,1	4,37	38,4
80	IV	484	4,9	800	6,42	34,1	5,95	37,3	5,49	40,6	5,30	41,9
60	V	305	4,5	828	4,66	26,9	4,18	30,2	3,71	33,5	3,53	34,8
70	V	400	4,7	828	5,61	30,3	5,13	33,6	4,66	36,9	4,47	38,2
80	V	495	4,9	828	6,56	33,8	6,08	37,0	5,61	40,3	5,42	41,6
60	VI	317	4,7	862	4,84	26,8	4,35	30,1	3,86	33,4	3,66	34,7
70	VI	416	5,0	862	5,83	30,3	5,33	33,6	4,84	36,8	4,64	38,2
80	VI	514	5,2	862	6,82	33,7	6,32	37,0	5,82	40,3	5,62	41,6

Yardy-ID2 40 S capacities

Cooling capacity

40 S					Tai: 23°C / 47% UR				Tai: 25°C / 47% UR				Tai: 27°C / 47% UR				Tai: 29°C / 47% UR			
Twi °C	Spd	G l/h	Δpw kPa	Afl m³/h	QT kW	QS kW	Tau °C	UR %	QT kW	QS kW	Tau °C	UR %	QT kW	QS kW	Tau °C	UR %	QT kW	QS kW	Tau °C	UR %
5	min (2)	240	3,6	150	1,05	0,78	7,3	98	1,22	0,85	7,9	98	1,40	0,92	8,6	98	1,59	0,98	9,3	98
6	min (2)	223	3,1	150	0,96	0,74	8,1	98	1,13	0,81	8,8	98	1,30	0,87	9,4	98	1,49	0,94	10,2	98
7	min (2)	206	2,7	150	0,86	0,70	9,0	98	1,03	0,77	9,6	98	1,20	0,83	10,3	98	1,38	0,89	11,1	98
8	min (2)	187	2,2	150	0,76	0,65	9,9	98	0,92	0,72	10,5	98	1,09	0,78	11,3	98	1,26	0,84	12,1	98
9	min (2)	169	1,9	150	0,67	0,61	10,7	98	0,82	0,68	11,4	98	0,98	0,74	12,2	98	1,14	0,80	13,0	98
10	min (2)	153	1,5	150	0,59	0,58	11,4	98	0,74	0,64	12,1	98	0,89	0,70	12,9	98	1,05	0,76	13,7	98
5	med (6,5)	412	7,6	291	1,80	1,47	8,4	98	2,08	1,59	9,2	98	2,40	1,70	10,0	98	2,73	1,79	10,9	98
6	med (6,5)	382	6,6	291	1,65	1,40	9,1	98	1,93	1,52	9,9	98	2,23	1,63	10,8	98	2,55	1,72	11,6	98
7	med (6,5)	352	5,7	291	1,49	1,33	9,8	98	1,77	1,45	10,6	98	2,05	1,56	11,5	98	2,37	1,65	12,4	98
8	med (6,5)	323	4,8	291	1,33	1,26	10,5	98	1,60	1,38	11,4	98	1,88	1,49	12,2	98	2,18	1,59	13,2	98
9	med (6,5)	294	4,0	291	1,18	1,18	11,2	98	1,44	1,31	12,0	98	1,71	1,42	13,0	98	1,99	1,52	13,9	98
10	med (6,5)	264	3,3	291	1,06	1,06	11,7	98	1,27	1,24	12,7	98	1,54	1,34	13,7	98	1,80	1,45	14,6	98
5	max (8)	483	10,2	350	2,10	1,73	8,6	98	2,45	1,85	9,4	98	2,82	1,97	10,3	98	3,19	2,07	11,2	98
6	max (8)	450	8,9	350	1,91	1,65	9,4	98	2,26	1,78	10,1	98	2,62	1,89	11,0	98	2,99	1,99	11,9	98
7	max (8)	415	7,7	350	1,74	1,57	10,0	98	2,06	1,70	10,9	98	2,42	1,81	11,7	98	2,78	1,91	12,6	98
8	max (8)	378	6,4	350	1,55	1,48	10,7	98	1,86	1,62	11,6	98	2,20	1,74	12,5	98	2,57	1,83	13,4	98
9	max (8)	340	5,3	350	1,37	1,37	11,4	98	1,67	1,54	12,3	98	1,98	1,67	13,2	98	2,33	1,76	14,1	98
10	max (8)	306	4,3	350	1,25	1,25	11,8	98	1,48	1,46	12,9	98	1,78	1,59	13,9	98	2,09	1,70	14,9	98

Heating capacity

40 S					Tai: 10°		Tai: 15°		Tai: 20°		Tai: 22°	
Twi °C	Spd	G l/h	Δpw kPa	Afl m³/h	Q kW	Tau °C	Q kW	Tau °C	Q kW	Tau °C	Q kW	Tau °C
40	min (2)	240	3,4	150	1,40	38,0	1,16	38,3	0,93	38,7	0,84	38,8
45	min (2)	223	2,9	150	1,63	42,6	1,39	43,0	1,16	43,3	1,07	43,4
50	min (2)	206	2,5	150	1,85	47,2	1,62	47,5	1,39	47,9	1,30	48,0
60	min (2)	161	1,5	150	2,30	56,1	2,07	56,5	1,84	56,9	1,75	57,1
70	min (2)	204	2,3	150	2,79	66,0	2,56	66,3	2,32	66,6	2,23	66,8
80	min (2)	247	3,1	150	3,27	75,7	3,04	76,0	2,80	76,3	2,71	76,4
40	med (6,5)	412	7,2	291	2,56	36,5	2,13	37,1	1,71	37,7	1,54	37,9
45	med (6,5)	382	6,2	291	2,98	40,8	2,55	41,4	2,13	42,0	1,96	42,2
50	med (6,5)	352	5,3	291	3,39	45,0	2,96	45,7	2,54	46,3	2,37	46,5
60	med (6,5)	294	3,6	291	4,20	53,4	3,78	54,1	3,36	54,7	3,19	55,0
70	med (6,5)	375	5,5	291	5,12	63,0	4,69	63,6	4,27	64,1	4,10	64,4
80	med (6,5)	456	7,6	291	6,03	72,4	5,60	72,9	5,17	73,5	5,00	73,7
40	max (8)	483	9,5	350	3,03	36,0	2,52	36,7	2,02	37,3	1,82	37,6
45	max (8)	450	8,2	350	3,52	40,3	3,02	40,9	2,51	41,6	2,31	41,9
50	max (8)	415	7,0	350	4,00	44,4	3,50	45,1	3,00	45,8	2,80	46,1
60	max (8)	347	4,8	350	4,95	52,6	4,46	53,3	3,96	54,1	3,77	54,4
70	max (8)	443	7,3	350	6,05	62,1	5,55	62,7	5,04	63,4	4,84	63,6
80	max (8)	540	10,1	350	7,14	71,4	6,63	72,0	6,12	72,6	5,92	72,9

Spd Fan speed.
The number in parentheses indicates the control signal Vdc led the drive motor.

Afl Air flow rate

Twi Water inlet temperature

G Water flow rate

Δpw Water side pressure drops

Tai Air inlet temperature

UR Relative humidity

QT Cooling capacity (total heat)

QS Cooling capacity (sensitive heat)

Q Heating capacity

Tau Air outlet temperature

Heating capacity additional coil KB4-4

40 S					Tai: 10°		Tai: 15°		Tai: 20°		Tai: 22°	
Ewt °C	Spd	G l/h	Δpw kPa	Afl m³/h	Q kW	Tau °C	Q kW	Tau °C	Q kW	Tau °C	Q kW	Tau °C
60	min (2)	93	1,1	150	1,35	37,0	1,21	39,3	1,08	41,5	1,02	42,4
70	min (2)	126	1,9	150	1,77	45,5	1,62	47,4	1,47	49,4	1,41	50,2
80	min (2)	162	3,0	150	2,21	54,1	2,04	55,9	1,88	57,6	1,82	58,3
60	med (6,5)	141	0,8	291	2,06	31,3	1,85	34,1	1,64	36,9	1,56	38,1
70	med (6,5)	198	1,5	291	2,77	38,6	2,54	41,1	2,30	43,7	2,21	44,7
80	med (6,5)	252	2,3	291	3,43	45,4	3,18	47,8	2,93	50,2	2,83	51,2
60	max (8)	159	0,3	350	2,32	29,9	2,08	32,9	1,85	35,9	1,76	37,0
70	max (8)	223	0,6	350	3,12	36,7	2,85	39,5	2,59	42,2	2,48	43,3
80	max (8)	281	0,9	350	3,82	42,8	3,54	45,4	3,26	48,0	3,15	49,0

Yardy-ID2 40 H capacities

Cooling capacity

40 H					Tai: 23°C / 47% UR				Tai: 25°C / 47% UR				Tai: 27°C / 47% UR				Tai: 29°C / 47% UR			
Twi °C	Spd	G l/h	Δpw kPa	Afl m³/h	QT kW	QS kW	Tau °C	UR %	QT kW	QS kW	Tau °C	UR %	QT kW	QS kW	Tau °C	UR %	QT kW	QS kW	Tau °C	UR %
5	min (2)	239	3,5	150	1,02	0,77	7,6	99,8	1,20	0,84	8,1	99,8	1,39	0,92	8,6	99,8	1,60	0,99	9,1	99,8
6	min (2)	223	3,1	150	0,93	0,72	8,5	99,8	1,11	0,80	9,0	99,8	1,30	0,88	9,5	99,8	1,50	0,95	10,0	99,8
7	min (2)	206	2,7	150	0,86	0,70	9,1	99,8	1,01	0,76	9,9	99,8	1,20	0,83	10,4	99,8	1,40	0,90	10,9	99,8
8	min (2)	189	2,3	150	0,79	0,68	9,5	99,8	0,91	0,71	10,8	99,8	1,10	0,78	11,3	99,8	1,29	0,86	11,9	99,8
9	min (2)	170	1,9	150	0,72	0,65	10,0	99,8	0,86	0,70	11,1	99,8	0,99	0,74	12,3	99,8	1,18	0,81	12,8	99,8
10	min (2)	157	1,7	150	0,65	0,63	10,5	99,8	0,77	0,66	11,7	99,8	0,92	0,71	12,8	99,8	1,08	0,76	13,8	99,8
5	med (6,5)	558	13,0	410	2,37	1,91	9,0	98,7	2,80	2,10	9,6	99,2	3,25	2,29	10,2	99,8	3,73	2,47	10,9	99,8
6	med (6,5)	517	11,3	410	2,15	1,80	9,8	98,5	2,57	1,99	10,5	98,8	3,01	2,17	11,1	99,3	3,48	2,35	11,8	99,8
7	med (6,5)	474	9,7	410	1,97	1,73	10,3	99,8	2,33	1,87	11,3	98,5	2,76	2,05	12,0	98,9	3,22	2,23	12,7	99,4
8	med (6,5)	429	8,1	410	1,85	1,72	10,4	99,8	2,08	1,75	12,2	98,2	2,50	1,93	12,9	98,4	2,95	2,10	13,6	98,8
9	med (6,5)	381	6,5	410	1,68	1,67	10,8	99,8	1,96	1,74	12,3	99,8	2,22	1,80	13,8	98,	2,65	1,97	14,6	98,3
10	med (6,5)	360	5,9	410	1,51	1,51	11,9	99,8	1,80	1,69	12,6	99,8	2,10	1,78	14,0	99,8	2,41	1,86	15,4	98
5	max (8)	623	16,0	469	2,65	2,12	9,4	97,9	3,12	2,33	10,1	98,3	3,63	2,54	10,8	98,9	4,16	2,74	11,5	99,7
6	max (8)	577	13,9	469	2,39	1,99	10,2	97,6	2,86	2,20	10,9	98,	3,36	2,40	11,6	98,5	3,88	2,60	12,3	99,1
7	max (8)	529	11,9	469	2,20	1,92	10,7	99,	2,60	2,07	11,8	97,6	3,08	2,27	12,5	98,	3,59	2,47	13,2	98,5
8	max (8)	478	9,9	469	2,07	1,91	10,8	99,8	2,32	1,94	12,6	97,3	2,79	2,13	13,4	97,6	3,28	2,32	14,1	98
9	max (8)	425	8,0	469	1,88	1,85	11,2	99,8	2,15	1,89	12,9	99,4	2,48	1,99	14,3	97,2	2,95	2,18	15,1	97,5
10	max (8)	402	7,3	469	1,70	1,70	12,2	99,8	1,99	1,85	13,2	99,8	2,34	1,97	14,4	99,5	2,69	2,06	15,8	97,1

Heating capacity

40 H					Tai: 10°		Tai: 15°		Tai: 20°		Tai: 22°	
Twi °C	Spd	G l/h	Δpw kPa	Afl m³/h	Q kW	Tau °C	Q kW	Tau °C	Q kW	Tau °C	Q kW	Tau °C
40	min (2)	239	3,3	150	1,42	38,4	1,18	38,5	0,93	38,7	0,84	38,8
45	min (2)	223	2,9	150	1,65	43,1	1,41	43,1	1,16	43,3	1,07	43,4
50	min (2)	206	2,5	150	1,88	47,6	1,63	47,7	1,39	47,8	1,29	47,9
60	min (2)	155	1,5	150	2,28	55,6	2,04	55,8	1,80	56,0	1,70	56,1
70	min (2)	201	2,4	150	2,85	67,0	2,60	66,9	2,34	66,8	2,24	66,8
80	min (2)	247	3,5	150	3,41	78,2	3,14	77,8	2,88	77,5	2,77	77,5
40	med (6,5)	558	11,9	410	3,52	35,8	2,92	36,4	2,32	37,0	2,09	37,3
45	med (6,5)	517	10,4	410	4,09	39,9	3,48	40,5	2,89	41,1	2,65	41,4
50	med (6,5)	474	8,9	410	4,64	43,9	4,04	44,5	3,44	45,2	3,20	45,4
60	med (6,5)	386	6,1	410	5,67	51,5	5,08	52,2	4,49	52,9	4,26	53,2
70	med (6,5)	497	9,7	410	7,02	61,4	6,40	61,8	5,79	62,3	5,54	62,6
80	med (6,5)	608	13,9	410	8,35	71,1	7,71	71,4	7,07	71,8	6,82	71,9
40	max (8)	623	14,6	469	3,95	35,3	3,28	36,0	2,61	36,7	2,34	37,0
45	max (8)	577	12,7	469	4,58	39,3	3,91	40,0	3,24	40,7	2,97	41,0
50	max (8)	529	10,9	469	5,20	43,3	4,53	44,0	3,86	44,7	3,60	45,0
60	max (8)	433	7,6	469	6,37	50,7	5,70	51,5	5,05	52,3	4,78	52,6
70	max (8)	558	12,0	469	7,88	60,4	7,19	61,0	6,50	61,6	6,23	61,8
80	max (8)	683	17,3	469	9,38	70,0	8,66	70,4	7,95	70,8	7,67	71,0

Spd Fan speed.
The number in parentheses indicates the control signal Vdc led the drive motor.

Afl Air flow rate

Twi Water inlet temperature

G Water flow rate

Δpw Water side pressure drops

Tai Air inlet temperature

UR Relative humidity

QT Cooling capacity (total heat)

QS Cooling capacity (sensitive heat)

Q Heating capacity

Tau Air outlet temperature

Heating capacity additional coil KB4-4

40 H					Tai: 10°		Tai: 15°		Tai: 20°		Tai: 22°	
Ewt °C	Spd	G l/h	Δpw kPa	Afl m³/h	Q kW	Tau °C	Q kW	Tau °C	Q kW	Tau °C	Q kW	Tau °C
60	min (2)	93	0,3	150	1,35	37,0	1,21	39,3	1,08	41,5	1,02	42,4
70	min (2)	126	0,6	150	1,77	45,5	1,62	47,4	1,47	49,4	1,41	50,2
80	min (2)	162	0,9	150	2,21	54,1	2,04	55,9	1,88	57,6	1,82	58,3
60	med (6,5)	176	1,2	410	2,57	28,8	2,31	31,9	2,05	35,0	1,94	36,2
70	med (6,5)	246	2,2	410	3,44	35,2	3,15	38,1	2,86	40,9	2,74	42,1
80	med (6,5)	307	3,3	410	4,19	40,6	3,88	43,4	3,57	46,1	3,45	47,3
60	max (8)	192	1,4	469	2,81	28,0	2,52	31,1	2,24	34,3	2,13	35,6
70	max (8)	268	2,6	469	3,76	34,0	3,44	37,0	3,12	40,0	2,99	41,1
80	max (8)	333	3,8	469	4,53	39,0	4,20	41,9	3,87	44,8	3,74	45,9

Yardy-ID2 48 S capacities

Cooling capacity

48 S					Tai: 23°C / 47% UR				Tai: 25°C / 47% UR				Tai: 27°C / 47% UR				Tai: 29°C / 47% UR			
Twi °C	Spd	G l/h	Δpw kPa	Afl m³/h	QT kW	QS kW	Tau °C	UR %	QT kW	QS kW	Tau °C	UR %	QT kW	QS kW	Tau °C	UR %	QT kW	QS kW	Tau °C	UR %
5	min (2)	257	3,0	150	1,09	1,02	2,7	99,8	1,28	1,12	2,6	99,8	1,49	1,22	2,6	99,8	1,71	1,32	2,6	99,8
6	min (2)	239	2,6	150	0,99	0,96	3,9	99,8	1,19	1,06	3,8	99,8	1,39	1,16	3,8	99,8	1,61	1,26	3,8	99,8
7	min (2)	221	2,3	150	0,92	0,92	4,7	99,8	1,09	1,00	5,0	99,8	1,29	1,10	5,0	99,8	1,50	1,20	5,0	99,8
8	min (2)	203	2,0	150	0,83	0,83	6,4	99,8	0,98	0,94	6,2	99,8	1,18	1,04	6,2	99,8	1,40	1,14	6,3	99,8
9	min (2)	184	1,6	150	0,75	0,75	8,0	99,8	0,90	0,90	7,0	99,8	1,07	0,98	7,4	99,8	1,28	1,07	7,5	99,8
10	min (2)	170	1,4	150	0,67	0,67	9,7	99,8	0,82	0,82	8,5	99,8	0,99	0,94	8,3	99,8	1,17	1,01	8,8	99,8
5	med (6,5)	457	8,2	291	1,94	1,49	7,7	99,8	2,29	1,64	8,1	99,8	2,66	1,78	8,6	99,8	3,06	1,93	9,2	99,8
6	med (6,5)	425	7,2	291	1,76	1,40	8,6	99,8	2,11	1,55	9,0	99,8	2,48	1,69	9,5	99,8	2,87	1,84	10,1	99,8
7	med (6,5)	391	6,2	291	1,65	1,36	9,0	99,8	1,92	1,46	10,0	99,8	2,28	1,60	10,5	99,8	2,66	1,74	11,1	99,8
8	med (6,5)	356	5,2	291	1,50	1,31	9,5	99,8	1,76	1,39	10,6	99,8	2,08	1,51	11,5	99,8	2,45	1,65	12,0	99,8
9	med (6,5)	329	4,5	291	1,35	1,25	10,1	99,8	1,61	1,33	11,3	99,8	1,88	1,42	12,4	99,8	2,24	1,56	13,0	99,8
10	med (6,5)	299	3,8	291	1,21	1,19	10,7	99,8	1,46	1,27	11,9	99,8	1,74	1,38	12,8	99,8	2,02	1,46	13,9	99,8
5	max (8)	536	10,8	350	2,27	1,77	7,8	99,8	2,68	1,95	8,3	99,8	3,11	2,12	8,8	99,8	3,57	2,29	9,4	99,8
6	max (8)	494	9,3	350	2,05	1,66	8,7	99,8	2,46	1,84	9,2	99,8	2,89	2,01	9,8	99,8	3,34	2,18	10,3	99,8
7	max (8)	454	8,0	350	1,92	1,62	9,1	99,8	2,23	1,73	10,2	99,8	2,65	1,90	10,7	99,8	3,09	2,07	11,3	99,8
8	max (8)	413	6,7	350	1,74	1,56	9,7	99,8	2,05	1,66	10,8	99,8	2,41	1,79	11,7	99,8	2,84	1,95	12,3	99,8
9	max (8)	381	5,8	350	1,57	1,49	10,3	99,8	1,86	1,58	11,5	99,8	2,17	1,68	12,6	99,8	2,60	1,84	13,2	99,8
10	max (8)	346	4,9	350	1,39	1,39	11,1	99,8	1,69	1,51	12,0	99,8	2,02	1,63	13,0	99,8	2,34	1,73	14,1	99,8

Heating capacity

48 S					Tai: 10°		Tai: 15°		Tai: 20°		Tai: 22°	
Twi °C	Spd	G l/h	Δpw kPa	Afl m³/h	Q kW	Tau °C	Q kW	Tau °C	Q kW	Tau °C	Q kW	Tau °C
40	min (2)	256	2,8	150	1,45	39,1	1,20	39,0	0,95	39,1	0,85	39,1
45	min (2)	239	2,5	150	1,69	43,8	1,44	43,7	1,19	43,8	1,09	43,8
50	min (2)	221	2,2	150	1,93	48,5	1,67	48,4	1,42	48,4	1,32	48,4
60	min (2)	156	1,2	150	2,34	56,7	2,09	56,7	1,84	56,8	1,74	56,8
70	min (2)	202	1,9	150	2,90	67,9	2,63	67,7	2,37	67,5	2,27	67,4
80	min (2)	248	2,7	150	3,45	79,0	3,17	78,5	2,90	78,1	2,80	77,9
40	med (6,5)	457	7,8	291	2,65	37,3	2,19	37,6	1,74	37,9	1,56	38,1
45	med (6,5)	425	6,8	291	3,08	41,8	2,62	42,0	2,17	42,4	1,99	42,5
50	med (6,5)	391	5,9	291	3,50	46,1	3,04	46,4	2,59	46,7	2,41	46,9
60	med (6,5)	283	3,3	291	4,25	53,8	3,80	54,1	3,35	54,5	3,18	54,7
70	med (6,5)	369	5,3	291	5,28	64,5	4,81	64,6	4,34	64,7	4,15	64,8
80	med (6,5)	450	7,6	291	6,25	74,5	5,76	74,4	5,28	74,4	5,09	74,5
40	max (8)	533	10,1	350	3,13	36,8	2,59	37,2	2,06	37,6	1,85	37,8
45	max (8)	494	8,8	350	3,64	41,2	3,10	41,5	2,56	42,0	2,35	42,2
50	max (8)	455	7,6	350	4,14	45,5	3,59	45,8	3,06	46,2	2,85	46,4
60	max (8)	335	4,4	350	5,02	53,1	4,49	53,5	3,97	54,0	3,76	54,2
70	max (8)	435	7,0	350	6,22	63,3	5,66	63,5	5,11	63,8	4,90	64,0
80	max (8)	531	10,0	350	7,36	73,1	6,79	73,2	6,22	73,3	6,00	73,4

Spd Fan speed.
The number in parentheses indicates the control signal Vdc led the drive motor.

Afl Air flow rate

Twi Water inlet temperature

G Water flow rate

Δpw Water side pressure drops

Tai Air inlet temperature

UR Relative humidity

QT Cooling capacity (total heat)

QS Cooling capacity (sensitive heat)

Q Heating capacity

Tau Air outlet temperature

Heating capacity additional coil KB4-4

48 S					Tai: 10°		Tai: 15°		Tai: 20°		Tai: 22°	
Ewt °C	Spd	G l/h	Δpw kPa	Afl m³/h	Q kW	Tau °C	Q kW	Tau °C	Q kW	Tau °C	Q kW	Tau °C
60	min (2)	88	0,5	150	1,39	37,7	1,24	39,9	1,10	42,1	1,05	42,9
70	min (2)	120	0,6	150	1,69	43,8	1,54	45,9	1,40	48,0	1,34	48,9
80	min (2)	154	0,6	150	1,99	49,7	1,84	51,8	1,69	53,9	1,63	54,7
60	med (6,5)	135	0,8	291	2,16	32,3	1,94	35,0	1,72	37,8	1,63	38,9
70	med (6,5)	188	0,9	291	2,64	37,2	2,41	39,9	2,19	42,6	2,10	43,7
80	med (6,5)	240	0,9	291	3,09	41,8	2,86	44,5	2,64	47,2	2,54	48,2
60	max (8)	151	1,0	350	2,43	30,8	2,18	33,7	1,94	36,6	1,84	37,7
70	max (8)	211	1,1	350	2,96	35,4	2,71	38,2	2,46	41,1	2,36	42,2
80	max (8)	266	1,2	350	3,47	39,7	3,21	42,5	2,96	45,4	2,86	46,5

Yardy-ID2 48 H capacities

Cooling capacity

48 H					Tai: 23°C / 47% UR				Tai: 25°C / 47% UR				Tai: 27°C / 47% UR				Tai: 29°C / 47% UR			
Twi °C	Spd	G l/h	Δpw kPa	Afl m³/h	QT kW	QS kW	Tau °C	UR %	QT kW	QS kW	Tau °C	UR %	QT kW	QS kW	Tau °C	UR %	QT kW	QS kW	Tau °C	UR %
5	min (2)	257	3,0	150	1,09	1,02	2,7	99,8	1,28	1,12	2,6	99,8	1,49	1,22	2,6	99,8	1,71	1,32	2,6	99,8
6	min (2)	239	2,6	150	0,99	0,96	3,9	99,8	1,19	1,06	3,8	99,8	1,39	1,16	3,8	99,8	1,61	1,26	3,8	99,8
7	min (2)	221	2,3	150	0,92	0,92	4,7	99,8	1,09	1,00	5,0	99,8	1,29	1,10	5,0	99,8	1,50	1,20	5,0	99,8
8	min (2)	203	2,0	150	0,83	0,83	6,4	99,8	0,98	0,94	6,2	99,8	1,18	1,04	6,2	99,8	1,40	1,14	6,3	99,8
9	min (2)	184	1,6	150	0,75	0,75	8,0	99,8	0,90	0,90	7,0	99,8	1,07	0,98	7,4	99,8	1,28	1,07	7,5	99,8
10	min (2)	170	1,4	150	0,67	0,67	9,7	99,8	0,82	0,82	8,5	99,8	0,99	0,94	8,3	99,8	1,17	1,01	8,8	99,8
5	med (6,5)	610	13,5	410	2,58	2,05	8,0	99,8	3,05	2,26	8,5	99,8	3,54	2,46	9,0	99,8	4,06	2,66	9,6	99,8
6	med (6,5)	562	11,6	410	2,34	1,93	8,9	99,8	2,80	2,13	9,4	99,8	3,28	2,33	9,9	99,8	3,79	2,53	10,5	99,8
7	med (6,5)	516	10,0	410	2,18	1,88	9,2	99,8	2,54	2,01	10,3	99,8	3,01	2,20	10,9	99,8	3,52	2,39	11,5	99,8
8	med (6,5)	468	8,4	410	1,98	1,81	9,8	99,8	2,32	1,92	11,0	99,8	2,73	2,07	11,9	99,8	3,22	2,26	12,5	99,8
9	med (6,5)	422	7,0	410	1,78	1,72	10,4	99,8	2,13	1,85	11,5	99,8	2,50	1,98	12,5	99,8	2,92	2,12	13,5	99,8
10	med (6,5)	392	6,1	410	1,59	1,59	11,4	99,8	1,93	1,77	12,0	99,8	2,28	1,89	13,2	99,8	2,64	2,00	14,4	99,8
5	max (8)	680	16,2	469	2,87	2,24	8,7	99,8	3,39	2,46	9,2	99,8	3,94	2,68	9,8	99,8	4,52	2,90	10,5	99,8
6	max (8)	626	14,0	469	2,60	2,11	9,5	99,8	3,11	2,33	10,1	99,8	3,65	2,54	10,7	99,8	4,23	2,76	11,4	99,8
7	max (8)	575	12,0	469	2,43	2,05	9,9	99,8	2,82	2,19	11,0	99,8	3,35	2,40	11,6	99,8	3,91	2,61	12,3	99,8
8	max (8)	521	10,0	469	2,21	1,97	10,4	99,8	2,58	2,09	11,6	99,8	3,04	2,26	12,6	99,8	3,58	2,46	13,3	99,8
9	max (8)	467	8,3	469	1,99	1,90	10,8	99,8	2,36	2,02	12,1	99,8	2,77	2,15	13,2	99,8	3,24	2,31	14,2	99,8
10	max (8)	435	7,3	469	1,77	1,77	11,7	99,8	2,15	1,94	12,6	99,8	2,53	2,06	13,8	99,8	2,93	2,18	15,1	99,8

Heating capacity

48 H					Tai: 10°		Tai: 15°		Tai: 20°		Tai: 22°	
Twi °C	Spd	G l/h	Δpw kPa	Afl m³/h	Q kW	Tau °C	Q kW	Tau °C	Q kW	Tau °C	Q kW	Tau °C
40	min (2)	256	2,8	150	1,45	39,1	1,20	39,0	0,95	39,1	0,85	39,1
45	min (2)	239	2,5	150	1,69	43,8	1,44	43,7	1,19	43,8	1,09	43,8
50	min (2)	221	2,2	150	1,93	48,5	1,67	48,4	1,42	48,4	1,32	48,4
60	min (2)	156	1,2	150	2,34	56,7	2,09	56,7	1,84	56,8	1,74	56,8
70	min (2)	202	1,9	150	2,90	67,9	2,63	67,7	2,37	67,5	2,27	67,4
80	min (2)	248	2,7	150	3,45	79,0	3,17	78,5	2,90	78,1	2,80	77,9
40	med (6,5)	606	12,6	410	3,59	36,3	2,97	36,8	2,36	37,3	2,12	37,5
45	med (6,5)	562	11,1	410	4,17	40,5	3,55	41,0	2,94	41,5	2,70	41,7
50	med (6,5)	517	9,5	410	4,74	44,7	4,12	45,2	3,51	45,7	3,27	45,9
60	med (6,5)	385	5,6	410	5,77	52,2	5,16	52,8	4,56	53,4	4,32	53,6
70	med (6,5)	498	8,9	410	7,12	62,1	6,48	62,4	5,86	62,8	5,61	63,0
80	med (6,5)	607	12,7	410	8,43	71,7	7,78	71,9	7,13	72,2	6,87	72,3
40	max (8)	675	15,2	469	4,03	35,8	3,34	36,3	2,65	37,0	2,38	37,2
45	max (8)	626	13,3	469	4,68	39,9	3,99	40,5	3,30	41,1	3,03	41,4
50	max (8)	575	11,4	469	5,32	44,0	4,63	44,6	3,94	45,2	3,67	45,5
60	max (8)	433	6,8	469	6,50	51,6	5,81	52,2	5,14	52,9	4,87	53,1
70	max (8)	559	10,8	469	8,00	61,1	7,28	61,6	6,58	62,1	6,30	62,3
80	max (8)	681	15,4	469	9,47	70,6	8,74	70,9	8,01	71,2	7,73	71,4

Spd Fan speed.
The number in parentheses indicates the control signal Vdc led the drive motor.

Afl Air flow rate

Twi Water inlet temperature

G Water flow rate

Δpw Water side pressure drops

Tai Air inlet temperature

UR Relative humidity

QT Cooling capacity (total heat)

QS Cooling capacity (sensitive heat)

Q Heating capacity

Tau Air outlet temperature

Heating capacity additional coil KB4-4

48 H					Tai: 10°		Tai: 15°		Tai: 20°		Tai: 22°	
Ewt °C	Spd	G l/h	Δpw kPa	Afl m³/h	Q kW	Tau °C	Q kW	Tau °C	Q kW	Tau °C	Q kW	Tau °C
60	min (2)	88	0,5	150	1,39	37,7	1,24	39,9	1,10	42,1	1,05	42,9
70	min (2)	120	0,6	150	1,69	43,8	1,54	45,9	1,40	48,0	1,34	48,9
80	min (2)	154	0,6	150	1,99	49,7	1,84	51,8	1,69	53,9	1,63	54,7
60	med (6,5)	167	1,2	410	2,69	29,7	2,41	32,7	2,14	35,7	2,03	36,9
70	med (6,5)	234	1,3	410	3,28	34,0	3,00	36,9	2,72	39,9	2,61	41,1
80	med (6,5)	292	1,4	410	3,84	38,1	3,55	41,0	3,27	44,0	3,16	45,1
60	max (8)	182	1,5	469	2,92	28,7	2,63	31,8	2,33	34,9	2,21	36,2
70	max (8)	254	1,7	469	3,57	32,8	3,26	35,9	2,96	38,9	2,84	40,2
80	max (8)	315	1,7	469	4,17	36,7	3,87	39,7	3,56	42,8	3,44	44,0

Yardy-ID2 60 S capacities

Cooling capacity

60 S					Tai: 23°C / 47% UR				Tai: 25°C / 47% UR				Tai: 27°C / 47% UR				Tai: 29°C / 47% UR			
Twi °C	Spd	G l/h	Δpw kPa	Afl m³/h	QT kW	QS kW	Tau °C	UR %	QT kW	QS kW	Tau °C	UR %	QT kW	QS kW	Tau °C	UR %	QT kW	QS kW	Tau °C	UR %
5	min (2)	317	3,9	214	1,35	1,03	8,6	99,8	1,59	1,13	9,2	99,8	1,85	1,23	9,7	99,8	2,12	1,33	10,4	99,8
6	min (2)	295	3,5	214	1,25	0,99	9,1	99,8	1,47	1,07	10,0	99,8	1,72	1,17	10,6	99,8	1,99	1,27	11,2	99,8
7	min (2)	273	3,0	214	1,15	0,95	9,7	99,8	1,34	1,01	10,8	99,8	1,59	1,11	11,4	99,8	1,86	1,21	12,1	99,8
8	min (2)	249	2,5	214	1,06	0,91	10,2	99,8	1,24	0,97	11,4	99,8	1,45	1,05	12,3	99,8	1,71	1,14	13,0	99,8
9	min (2)	231	2,2	214	0,96	0,88	10,7	99,8	1,13	0,93	12,0	99,8	1,35	1,01	12,8	99,8	1,57	1,08	13,8	99,8
10	min (2)	212	1,9	214	0,86	0,84	11,2	99,8	1,03	0,90	12,4	99,8	1,23	0,97	13,5	99,8	1,43	1,02	14,7	99,8
5	med (6,5)	629	3,5	512	2,67	2,39	9,0	99,	3,15	2,62	9,6	99,4	3,66	2,85	10,3	99,8	4,20	3,07	11,0	99,8
6	med (6,5)	581	3,1	512	2,50	2,33	9,3	99,8	2,88	2,48	10,5	99,1	3,38	2,70	11,2	99,5	3,91	2,92	11,9	99,8
7	med (6,5)	530	2,6	512	2,29	2,25	9,8	99,8	2,65	2,37	11,1	99,8	3,09	2,55	12,1	99,1	3,61	2,76	12,8	99,4
8	med (6,5)	490	2,3	512	2,08	2,08	10,8	99,8	2,45	2,30	11,5	99,8	2,85	2,45	12,7	99,8	3,31	2,62	13,7	99,
9	med (6,5)	446	1,9	512	1,87	1,87	12,0	99,8	2,21	2,18	12,2	99,8	2,60	2,33	13,3	99,8	3,00	2,47	14,5	98,6
10	med (6,5)	407	1,6	512	1,68	1,68	13,2	99,8	2,00	2,00	13,3	99,8	2,37	2,25	13,8	99,8	2,78	2,39	15,0	99,8
5	max (8)	687	1,4	573	2,92	2,65	9,1	98,3	3,45	2,90	9,8	98,7	4,01	3,15	10,5	99,2	4,60	3,40	11,2	99,7
6	max (8)	634	1,2	573	2,73	2,59	9,5	99,8	3,15	2,74	10,6	98,4	3,70	2,99	11,4	98,7	4,27	3,23	12,1	99,2
7	max (8)	578	1,0	573	2,50	2,49	10,0	99,8	2,89	2,63	11,3	99,1	3,37	2,82	12,2	98,4	3,93	3,05	13,0	98,7
8	max (8)	533	0,9	573	2,27	2,27	11,1	99,8	2,67	2,54	11,7	99,8	3,11	2,70	12,8	99,	3,60	2,89	13,9	98,3
9	max (8)	485	0,7	573	2,05	2,05	12,3	99,8	2,41	2,41	12,4	99,8	2,83	2,58	13,5	99,2	3,26	2,73	14,7	97,9
10	max (8)	441	0,6	573	1,83	1,83	13,4	99,3	2,17	2,17	13,6	99,8	2,57	2,47	14,1	99,8	3,00	2,63	15,2	98,9

Heating capacity

60 S					Tai: 10°		Tai: 15°		Tai: 20°		Tai: 22°	
Twi °C	Spd	G l/h	Δpw kPa	Afl m³/h	Q kW	Tau °C	Q kW	Tau °C	Q kW	Tau °C	Q kW	Tau °C
40	min (2)	317	3,7	214	1,95	37,3	1,61	37,6	1,28	37,9	1,15	38,1
45	min (2)	295	3,2	214	2,26	41,7	1,92	42,0	1,59	42,3	1,46	42,5
50	min (2)	273	2,8	214	2,57	46,0	2,23	46,3	1,90	46,6	1,77	46,8
60	min (2)	211	1,8	214	3,11	53,6	2,78	54,0	2,46	54,4	2,33	54,6
70	min (2)	278	2,9	214	3,94	65,2	3,59	65,3	3,24	65,4	3,10	65,5
80	min (2)	345	4,3	214	4,76	76,7	4,39	76,5	4,02	76,4	3,88	76,3
40	med (6,5)	629	3,3	512	4,16	34,4	3,44	35,2	2,74	36,1	2,46	36,4
45	med (6,5)	581	2,8	512	4,82	38,2	4,11	39,1	3,41	40,0	3,13	40,3
50	med (6,5)	530	2,4	512	5,46	42,0	4,75	42,8	4,05	43,7	3,77	44,1
60	med (6,5)	457	1,8	512	6,71	49,3	6,01	50,2	5,32	51,2	5,04	51,5
70	med (6,5)	608	3,1	512	8,59	60,3	7,82	60,8	7,07	61,5	6,78	61,7
80	med (6,5)	747	4,5	512	10,27	70,2	9,48	70,5	8,70	71,0	8,39	71,2
40	max (8)	687	1,4	573	4,58	34,0	3,80	34,9	3,02	35,8	2,71	36,2
45	max (8)	634	1,2	573	5,31	37,8	4,52	38,7	3,75	39,6	3,44	40,0
50	max (8)	578	1,0	573	6,01	41,4	5,23	42,4	4,46	43,3	4,15	43,7
60	max (8)	504	0,8	573	7,41	48,8	6,63	49,7	5,87	50,7	5,57	51,1
70	max (8)	670	1,3	573	9,46	59,5	8,62	60,2	7,80	60,8	7,47	61,1
80	max (8)	821	1,9	573	11,28	69,0	10,41	69,5	9,56	70,0	9,22	70,3

Spd Fan speed.
The number in parentheses indicates the control signal Vdc led the drive motor.

Afl Air flow rate

Twi Water inlet temperature

G Water flow rate

Δpw Water side pressure drops

Tai Air inlet temperature

UR Relative humidity

QT Cooling capacity (total heat)

QS Cooling capacity (sensitive heat)

Q Heating capacity

Tau Air outlet temperature

Heating capacity additional coil KB4-4

60 S					Tai: 10°		Tai: 15°		Tai: 20°		Tai: 22°	
Ewt °C	Spd	G l/h	Δpw kPa	Afl m³/h	Q kW	Tau °C	Q kW	Tau °C	Q kW	Tau °C	Q kW	Tau °C
60	min (2)	138	2,9	214	2,02	38,3	1,81	40,4	1,61	42,5	1,53	43,4
70	min (2)	189	5,1	214	2,65	47,2	2,43	49,0	2,20	50,8	2,11	51,6
80	min (2)	238	7,7	214	3,26	55,6	3,01	57,3	2,77	58,9	2,68	59,6
60	med (6,5)	236	2,7	512	3,44	30,2	3,09	33,1	2,74	36,1	2,60	37,3
70	med (6,5)	315	4,5	512	4,42	35,9	4,04	38,7	3,67	41,5	3,52	42,6
80	med (6,5)	389	6,6	512	5,31	41,1	4,92	43,8	4,53	46,6	4,38	47,7
60	max (8)	255	1,3	573	3,72	29,5	3,34	32,5	2,97	35,5	2,82	36,7
70	max (8)	338	2,2	573	4,75	34,8	4,34	37,7	3,94	40,6	3,78	41,8
80	max (8)	418	3,2	573	5,70	39,9	5,28	42,7	4,87	45,5	4,70	46,6

Yardy-ID2 60 H capacities

Cooling capacity

60 H					Tai: 23°C / 47% UR				Tai: 25°C / 47% UR				Tai: 27°C / 47% UR				Tai: 29°C / 47% UR			
Twi °C	Spd	G l/h	Δpw kPa	Afl m³/h	QT kW	QS kW	Tau °C	UR %	QT kW	QS kW	Tau °C	UR %	QT kW	QS kW	Tau °C	UR %	QT kW	QS kW	Tau °C	UR %
5	min (2)	317	1,3	214	1,35	1,03	8,6	99,8	1,59	1,13	9,2	99,8	1,85	1,23	9,7	99,8	2,12	1,33	10,4	99,8
6	min (2)	295	1,2	214	1,25	0,99	9,1	99,8	1,47	1,07	10,0	99,8	1,72	1,17	10,6	99,8	1,99	1,27	11,2	99,8
7	min (2)	273	1,0	214	1,15	0,95	9,7	99,8	1,34	1,01	10,8	99,8	1,59	1,11	11,4	99,8	1,86	1,21	12,1	99,8
8	min (2)	249	0,8	214	1,06	0,91	10,2	99,8	1,24	0,97	11,4	99,8	1,45	1,05	12,3	99,8	1,71	1,14	13,0	99,8
9	min (2)	231	0,7	214	0,96	0,88	10,7	99,8	1,13	0,93	12,0	99,8	1,35	1,01	12,8	99,8	1,57	1,08	13,8	99,8
10	min (2)	212	0,6	214	0,86	0,84	11,2	99,8	1,03	0,90	12,4	99,8	1,23	0,97	13,5	99,8	1,43	1,02	14,7	99,8
5	med (6,5)	815	5,6	691	3,46	3,08	9,6	97,1	4,09	3,37	10,4	97,5	4,75	3,66	11,1	98,	5,45	3,95	11,9	98,6
6	med (6,5)	750	4,9	691	3,18	2,95	10,2	98,	3,73	3,18	11,2	97,2	4,37	3,47	11,9	97,5	5,06	3,75	12,7	98,
7	med (6,5)	683	4,1	691	2,96	2,90	10,4	99,8	3,42	3,05	11,8	97,9	3,98	3,27	12,8	97,1	4,64	3,54	13,6	97,5
8	med (6,5)	617	3,4	691	2,67	2,67	11,4	99,8	3,13	2,94	12,2	99,3	3,58	3,07	13,7	96,8	4,22	3,34	14,5	97,1
9	med (6,5)	571	3,0	691	2,42	2,42	12,5	99,8	2,85	2,82	12,7	99,8	3,32	2,98	14,0	98,	3,83	3,16	15,3	96,7
10	med (6,5)	517	2,5	691	2,15	2,15	13,7	97,6	2,56	2,56	13,9	99,8	3,01	2,86	14,6	98,7	3,52	3,04	15,8	97,7
5	max (8)	864	6,2	737	3,67	3,23	9,8	96,7	4,34	3,54	10,6	97,1	5,04	3,84	11,4	97,6	5,78	4,14	12,1	98,2
6	max (8)	796	5,3	737	3,38	3,10	10,4	97,6	3,95	3,34	11,4	96,8	4,64	3,64	12,2	97,1	5,36	3,93	13,0	97,6
7	max (8)	724	4,5	737	3,14	3,04	10,6	99,8	3,62	3,20	12,0	97,6	4,22	3,43	13,0	96,7	4,92	3,72	13,9	97,1
8	max (8)	649	3,7	737	2,83	2,83	11,5	99,8	3,31	3,08	12,5	98,8	3,78	3,22	13,9	96,3	4,46	3,49	14,8	96,6
9	max (8)	604	3,3	737	2,57	2,57	12,5	99,8	3,02	2,96	12,9	99,8	3,52	3,13	14,3	97,6	4,06	3,31	15,5	96,3
10	max (8)	548	2,7	737	2,28	2,28	13,7	97,1	2,71	2,71	14,0	99,8	3,19	3,00	14,8	98,3	3,73	3,19	16,0	97,2

Heating capacity

60 H					Tai: 10°		Tai: 15°		Tai: 20°		Tai: 22°	
Twi °C	Spd	G l/h	Δpw kPa	Afl m³/h	Q kW	Tau °C	Q kW	Tau °C	Q kW	Tau °C	Q kW	Tau °C
40	min (2)	317	5,5	214	1,95	37,3	1,61	37,6	1,28	37,9	1,15	38,1
45	min (2)	295	4,8	214	2,26	41,7	1,92	42,0	1,59	42,3	1,46	42,5
50	min (2)	273	4,2	214	2,57	46,0	2,23	46,3	1,90	46,6	1,77	46,8
60	min (2)	211	2,6	214	3,11	53,6	2,78	54,0	2,46	54,4	2,33	54,6
70	min (2)	278	4,3	214	3,94	65,2	3,59	65,3	3,24	65,4	3,10	65,5
80	min (2)	345	6,4	214	4,76	76,7	4,39	76,5	4,02	76,4	3,88	76,3
40	med (6,5)	815	5,2	691	5,37	33,3	4,45	34,3	3,54	35,4	3,18	35,8
45	med (6,5)	750	4,5	691	6,22	37,0	5,31	38,0	4,40	39,1	4,04	39,5
50	med (6,5)	683	3,8	691	7,04	40,6	6,13	41,6	5,23	42,7	4,87	43,1
60	med (6,5)	590	2,9	691	8,67	47,6	7,76	48,7	6,87	49,8	6,51	50,3
70	med (6,5)	777	4,8	691	10,97	57,6	10,00	58,4	9,05	59,3	8,67	59,6
80	med (6,5)	953	6,9	691	13,08	66,8	12,08	67,5	11,09	68,2	10,70	68,5
40	max (8)	864	1,4	737	5,67	33,1	4,70	34,1	3,74	35,2	3,36	35,7
45	max (8)	796	1,2	737	6,57	36,7	5,60	37,8	4,64	38,9	4,27	39,4
50	max (8)	724	1,0	737	7,43	40,2	6,47	41,3	5,52	42,5	5,14	42,9
60	max (8)	622	0,8	737	9,14	47,2	8,18	48,3	7,24	49,5	6,87	50,0
70	max (8)	817	1,2	737	11,53	56,9	10,51	57,8	9,51	58,7	9,11	59,1
80	max (8)	1002	1,8	737	13,75	66,0	12,70	66,7	11,66	67,5	11,25	67,8

Spd Fan speed.
The number in parentheses indicates the control signal Vdc led the drive motor.

Afl Air flow rate

Twi Water inlet temperature

G Water flow rate

Δpw Water side pressure drops

Tai Air inlet temperature

UR Relative humidity

QT Cooling capacity (total heat)

QS Cooling capacity (sensitive heat)

Q Heating capacity

Tau Air outlet temperature

Heating capacity additional coil KB4-4

60 H					Tai: 10°		Tai: 15°		Tai: 20°		Tai: 22°	
Ewt °C	Spd	G l/h	Δpw kPa	Afl m³/h	Q kW	Tau °C	Q kW	Tau °C	Q kW	Tau °C	Q kW	Tau °C
60	min (2)	138	3,9	214	2,02	38,3	1,81	40,4	1,61	42,5	1,53	43,4
70	min (2)	189	6,8	214	2,65	47,2	2,43	49,0	2,20	50,8	2,11	51,6
80	min (2)	238	10,3	214	3,26	55,6	3,01	57,3	2,77	58,9	2,68	59,6
60	med (6,5)	290	3,8	691	4,23	28,4	3,80	31,5	3,37	34,6	3,20	35,9
70	med (6,5)	381	6,3	691	5,33	33,2	4,88	36,2	4,43	39,2	4,25	40,5
80	med (6,5)	470	9,2	691	6,41	37,8	5,94	40,8	5,48	43,8	5,29	45,0
60	max (8)	302	1,4	737	4,41	28,0	3,96	31,1	3,52	34,3	3,34	35,6
70	max (8)	396	2,2	737	5,55	32,6	5,08	35,7	4,61	38,8	4,42	40,0
80	max (8)	490	3,2	737	6,67	37,2	6,19	40,2	5,70	43,2	5,51	44,4

Yardy-ID2 74 S capacities

Cooling capacity

74 S					Tai: 23°C / 47% UR				Tai: 25°C / 47% UR				Tai: 27°C / 47% UR				Tai: 29°C / 47% UR			
Twi °C	Spd	G l/h	Δpw kPa	Afl m³/h	QT kW	QS kW	Tau °C	UR %	QT kW	QS kW	Tau °C	UR %	QT kW	QS kW	Tau °C	UR %	QT kW	QS kW	Tau °C	UR %
5	min (2)	344	5,1	214	1,46	1,15	6,9	99,8	1,72	1,26	7,3	99,8	2,00	1,37	7,7	99,8	2,30	1,49	8,2	99,8
6	min (2)	321	4,5	214	1,33	1,08	7,9	99,8	1,59	1,20	8,2	99,8	1,87	1,31	8,7	99,8	2,16	1,42	9,1	99,8
7	min (2)	296	3,9	214	1,24	1,05	8,3	99,8	1,46	1,13	9,2	99,8	1,73	1,24	9,6	99,8	2,02	1,35	10,1	99,8
8	min (2)	272	3,3	214	1,12	0,99	9,1	99,8	1,34	1,08	9,9	99,8	1,59	1,17	10,6	99,8	1,87	1,28	11,1	99,8
9	min (2)	246	2,8	214	1,01	0,94	9,8	99,8	1,22	1,03	10,6	99,8	1,43	1,10	11,6	99,8	1,71	1,21	12,1	99,8
10	min (2)	226	2,4	214	0,90	0,90	10,4	99,8	1,11	0,98	11,2	99,8	1,34	1,07	12,0	99,8	1,55	1,14	13,0	99,8
5	med (6,5)	719	5,6	512	3,06	2,48	8,5	99,8	3,61	2,72	9,0	99,8	4,20	2,96	9,7	99,8	4,82	3,19	10,3	99,8
6	med (6,5)	667	4,9	512	2,85	2,40	8,9	99,8	3,31	2,57	9,9	99,8	3,88	2,81	10,5	99,8	4,49	3,04	11,2	99,8
7	med (6,5)	613	4,2	512	2,60	2,28	9,6	99,8	3,05	2,46	10,6	99,8	3,57	2,66	11,4	99,8	4,16	2,89	12,1	99,8
8	med (6,5)	567	3,7	512	2,36	2,19	10,2	99,8	2,80	2,35	11,2	99,8	3,31	2,55	12,1	99,8	3,84	2,74	12,9	99,8
9	med (6,5)	521	3,1	512	2,13	2,11	10,6	99,8	2,56	2,26	11,8	99,8	3,03	2,44	12,7	99,8	3,51	2,60	13,8	99,8
10	med (6,5)	472	2,6	512	1,90	1,90	11,9	99,8	2,31	2,16	12,3	99,8	2,75	2,32	13,4	99,8	3,22	2,48	14,5	99,8
5	max (8)	789	5,9	573	3,36	2,73	8,7	99,8	3,97	3,00	9,3	99,8	4,61	3,26	9,9	99,8	5,29	3,51	10,6	99,8
6	max (8)	731	5,2	573	3,13	2,65	9,1	99,8	3,63	2,83	10,2	99,8	4,26	3,09	10,8	99,8	4,93	3,34	11,5	99,8
7	max (8)	670	4,4	573	2,85	2,54	9,7	99,8	3,34	2,71	10,8	99,8	3,90	2,92	11,7	99,8	4,55	3,17	12,4	99,8
8	max (8)	617	3,8	573	2,58	2,42	10,3	99,8	3,07	2,60	11,4	99,8	3,59	2,79	12,4	99,8	4,18	3,00	13,3	99,8
9	max (8)	565	3,2	573	2,32	2,31	10,9	99,8	2,78	2,47	12,1	99,8	3,29	2,66	13,1	99,8	3,86	2,87	14,0	99,8
10	max (8)	512	2,7	573	2,07	2,07	12,1	99,8	2,50	2,36	12,6	99,8	2,98	2,53	13,7	99,8	3,53	2,74	14,7	99,8

Heating capacity

74 S					Tai: 10°		Tai: 15°		Tai: 20°		Tai: 22°	
Twi °C	Spd	G l/h	Δpw kPa	Afl m³/h	Q kW	Tau °C	Q kW	Tau °C	Q kW	Tau °C	Q kW	Tau °C
40	min (2)	344	4,8	214	1,99	37,8	1,64	38,0	1,30	38,3	1,17	38,4
45	min (2)	321	4,3	214	2,31	42,4	1,96	42,5	1,63	42,8	1,49	42,9
50	min (2)	297	3,7	214	2,63	46,8	2,28	47,0	1,94	47,2	1,81	47,3
60	min (2)	213	2,0	214	3,18	54,5	2,84	54,8	2,50	55,1	2,37	55,3
70	min (2)	277	3,3	214	3,97	65,7	3,61	65,6	3,26	65,6	3,12	65,7
80	min (2)	343	4,8	214	4,77	76,8	4,39	76,5	4,02	76,3	3,87	76,3
40	med (6,5)	720	5,3	512	4,22	34,8	3,50	35,5	2,78	36,3	2,50	36,6
45	med (6,5)	667	4,6	512	4,91	38,8	4,18	39,5	3,46	40,3	3,18	40,6
50	med (6,5)	613	4,0	512	5,58	42,7	4,85	43,4	4,13	44,2	3,84	44,5
60	med (6,5)	447	2,3	512	6,69	49,2	5,98	50,1	5,29	51,0	5,01	51,4
70	med (6,5)	592	3,8	512	8,50	59,8	7,74	60,3	6,99	61,0	6,69	61,2
80	med (6,5)	731	5,5	512	10,17	69,6	9,38	70,0	8,60	70,4	8,29	70,6
40	max (8)	790	5,6	573	4,66	34,4	3,86	35,2	3,07	36,1	2,75	36,4
45	max (8)	731	4,9	573	5,41	38,3	4,61	39,1	3,82	40,0	3,50	40,3
50	max (8)	670	4,2	573	6,14	42,2	5,34	43,0	4,55	43,8	4,24	44,2
60	max (8)	492	2,4	573	7,38	48,6	6,60	49,6	5,83	50,5	5,53	51,0
70	max (8)	652	4,0	573	9,36	59,0	8,53	59,7	7,70	60,3	7,38	60,6
80	max (8)	800	5,8	573	11,17	68,5	10,30	68,9	9,45	69,5	9,11	69,7

Spd Fan speed.
The number in parentheses indicates the control signal Vdc led the drive motor.

Afl Air flow rate

Twi Water inlet temperature

G Water flow rate

Δpw Water side pressure drops

Tai Air inlet temperature

UR Relative humidity

QT Cooling capacity (total heat)

QS Cooling capacity (sensitive heat)

Q Heating capacity

Tau Air outlet temperature

Heating capacity additional coil KB4-4

74 S					Tai: 10°		Tai: 15°		Tai: 20°		Tai: 22°	
Ewt °C	Spd	G l/h	Δpw kPa	Afl m³/h	Q kW	Tau °C	Q kW	Tau °C	Q kW	Tau °C	Q kW	Tau °C
60	min (2)	138	1,0	214	2,18	40,5	1,95	42,4	1,73	44,3	1,64	45,0
70	min (2)	188	1,1	214	2,64	47,1	2,42	48,9	2,19	50,7	2,10	51,4
80	min (2)	237	1,1	214	3,09	53,3	2,86	55,1	2,63	56,9	2,54	57,6
60	med (6,5)	224	2,6	512	3,49	30,5	3,14	33,4	2,78	36,3	2,64	37,5
70	med (6,5)	300	2,7	512	4,21	34,6	3,85	37,5	3,49	40,4	3,35	41,6
80	med (6,5)	370	2,8	512	4,92	38,8	4,56	41,7	4,20	44,6	4,05	45,8
60	max (8)	242	2,9	573	3,74	29,6	3,36	32,6	2,98	35,6	2,83	36,8
70	max (8)	321	3,1	573	4,51	33,6	4,12	36,6	3,74	39,6	3,59	40,8
80	max (8)	397	3,2	573	5,27	37,6	4,88	40,6	4,50	43,6	4,34	44,7

Yardy-ID2 74 H capacities

Cooling capacity

74 H					Tai: 23°C / 47% UR				Tai: 25°C / 47% UR				Tai: 27°C / 47% UR				Tai: 29°C / 47% UR			
Twi °C	Spd	G l/h	Δpw kPa	Afl m³/h	QT kW	QS kW	Tau °C	UR %	QT kW	QS kW	Tau °C	UR %	QT kW	QS kW	Tau °C	UR %	QT kW	QS kW	Tau °C	UR %
5	min (2)	344	5,1	214	1,46	1,15	6,9	99,8	1,72	1,26	7,3	99,8	2,00	1,37	7,7	99,8	2,30	1,49	8,2	99,8
6	min (2)	321	4,5	214	1,33	1,08	7,9	99,8	1,59	1,20	8,2	99,8	1,87	1,31	8,7	99,8	2,16	1,42	9,1	99,8
7	min (2)	296	3,9	214	1,24	1,05	8,3	99,8	1,46	1,13	9,2	99,8	1,73	1,24	9,6	99,8	2,02	1,35	10,1	99,8
8	min (2)	272	3,3	214	1,12	0,99	9,1	99,8	1,34	1,08	9,9	99,8	1,59	1,17	10,6	99,8	1,87	1,28	11,1	99,8
9	min (2)	246	2,8	214	1,01	0,94	9,8	99,8	1,22	1,03	10,6	99,8	1,43	1,10	11,6	99,8	1,71	1,21	12,1	99,8
10	min (2)	226	2,4	214	0,90	0,90	10,4	99,8	1,11	0,98	11,2	99,8	1,34	1,07	12,0	99,8	1,55	1,14	13,0	99,8
5	med (6,5)	915	6,6	691	3,89	3,19	9,2	99,8	4,60	3,50	9,8	99,8	5,34	3,80	10,5	99,8	6,13	4,10	11,2	99,8
6	med (6,5)	846	5,8	691	3,62	3,09	9,6	99,8	4,20	3,30	10,7	99,8	4,93	3,60	11,4	99,8	5,70	3,89	12,1	99,8
7	med (6,5)	773	4,9	691	3,30	2,96	10,2	99,8	3,85	3,15	11,3	99,8	4,50	3,40	12,2	99,8	5,25	3,68	13,0	99,8
8	med (6,5)	711	4,2	691	2,98	2,82	10,7	99,8	3,53	3,03	11,8	99,8	4,14	3,25	12,9	99,8	4,81	3,49	13,9	99,8
9	med (6,5)	645	3,5	691	2,65	2,65	11,5	99,8	3,18	2,86	12,6	99,8	3,75	3,08	13,6	99,8	4,40	3,32	14,6	99,8
10	med (6,5)	582	2,9	691	2,37	2,37	12,7	99,8	2,84	2,74	13,1	99,8	3,39	2,94	14,2	99,8	3,99	3,15	15,3	99,8
5	max (8)	952	7,2	737	4,05	3,36	9,3	99,8	4,79	3,69	10,0	99,8	5,56	4,01	10,7	99,8	6,38	4,32	11,4	99,8
6	max (8)	880	6,2	737	3,77	3,26	9,7	99,8	4,37	3,48	10,8	99,8	5,13	3,79	11,6	99,8	5,93	4,10	12,3	99,8
7	max (8)	804	5,3	737	3,43	3,12	10,3	99,8	4,00	3,32	11,5	99,8	4,68	3,58	12,4	99,8	5,46	3,88	13,2	99,8
8	max (8)	739	4,6	737	3,10	2,97	10,9	99,8	3,67	3,19	12,0	99,8	4,30	3,42	13,1	99,8	5,00	3,67	14,1	99,8
9	max (8)	670	3,8	737	2,76	2,76	11,8	99,8	3,31	3,04	12,6	99,8	3,90	3,24	13,8	99,8	4,57	3,49	14,8	99,8
10	max (8)	604	3,2	737	2,46	2,46	13,0	99,8	2,95	2,88	13,3	99,8	3,52	3,09	14,4	99,8	4,13	3,31	15,5	99,8

Heating capacity

74 H					Tai: 10°		Tai: 15°		Tai: 20°		Tai: 22°	
Twi °C	Spd	G l/h	Δpw kPa	Afl m³/h	Q kW	Tau °C	Q kW	Tau °C	Q kW	Tau °C	Q kW	Tau °C
40	min (2)	344	4,8	214	1,99	37,8	1,64	38,0	1,30	38,3	1,17	38,4
45	min (2)	321	4,3	214	2,31	42,4	1,96	42,5	1,63	42,8	1,49	42,9
50	min (2)	297	3,7	214	2,63	46,8	2,28	47,0	1,94	47,2	1,81	47,3
60	min (2)	213	2,0	214	3,18	54,5	2,84	54,8	2,50	55,1	2,37	55,3
70	min (2)	277	3,3	214	3,97	65,7	3,61	65,6	3,26	65,6	3,12	65,7
80	min (2)	343	4,8	214	4,77	76,8	4,39	76,5	4,02	76,3	3,87	76,3
40	med (6,5)	915	6,3	691	5,46	33,7	4,52	34,6	3,60	35,6	3,23	36,0
45	med (6,5)	845	5,5	691	6,34	37,5	5,40	38,4	4,47	39,4	4,11	39,8
50	med (6,5)	773	4,7	691	7,19	41,2	6,25	42,2	5,33	43,1	4,96	43,5
60	med (6,5)	576	2,8	691	8,66	47,6	7,75	48,6	6,85	49,7	6,50	50,2
70	med (6,5)	761	4,5	691	10,95	57,6	9,98	58,3	9,02	59,1	8,64	59,5
80	med (6,5)	927	6,5	691	13,02	66,5	12,01	67,1	11,02	67,8	10,62	68,1
40	max (8)	953	6,9	737	5,76	33,5	4,78	34,4	3,80	35,5	3,41	35,9
45	max (8)	881	5,9	737	6,69	37,2	5,70	38,2	4,73	39,2	4,34	39,7
50	max (8)	803	5,0	737	7,60	40,9	6,61	41,9	5,63	42,9	5,24	43,3
60	max (8)	610	3,1	737	9,17	47,3	8,21	48,4	7,26	49,5	6,88	50,0
70	max (8)	803	5,0	737	11,57	57,1	10,54	57,9	9,52	58,8	9,12	59,1
80	max (8)	976	7,2	737	13,74	65,9	12,68	66,6	11,64	67,4	11,22	67,7

- Spd** Fan speed.
The number in parentheses indicates the control signal Vdc led the drive motor.

- Afl** Air flow rate

- Twi** Water inlet temperature

- G** Water flow rate

- Δpw** Water side pressure drops

- Tai** Air inlet temperature

- UR** Relative humidity

- QT** Cooling capacity (total heat)

- QS** Cooling capacity (sensitive heat)

- Q** Heating capacity

- Tau** Air outlet temperature

Heating capacity additional coil KB4-4

74 H					Tai: 10°		Tai: 15°		Tai: 20°		Tai: 22°	
Ewt °C	Spd	G l/h	Δpw kPa	Afl m³/h	Q kW	Tau °C	Q kW	Tau °C	Q kW	Tau °C	Q kW	Tau °C
60	min (2)	138	1,0	214	2,18	40,5	1,95	42,4	1,73	44,3	1,64	45,0
70	min (2)	188	1,1	214	2,64	47,1	2,42	48,9	2,19	50,7	2,10	51,4
80	min (2)	237	1,1	214	3,09	53,3	2,86	55,1	2,63	56,9	2,54	57,6
60	med (6,5)	275	3,7	691	4,21	28,3	3,78	31,4	3,35	34,6	3,18	35,8
70	med (6,5)	362	3,9	691	5,07	32,0	4,64	35,1	4,21	38,3	4,04	39,5
80	med (6,5)	447	4,0	691	5,93	35,8	5,50	38,9	5,06	42,0	4,89	43,2
60	max (8)	300	3,7	737	4,57	28,6	4,10	31,7	3,64	34,8	3,46	36,1
70	max (8)	393	3,9	737	5,50	32,4	5,04	35,5	4,57	38,6	4,38	39,8
80	max (8)	485	4,0	737	6,44	36,2	5,97	39,3	5,50	42,4	5,31	43,6

Yardy-ID2 80 S capacities

Cooling capacity

80 S					Tai: 23°C / 47% UR				Tai: 25°C / 47% UR				Tai: 27°C / 47% UR				Tai: 29°C / 47% UR			
Twi °C	Spd	G l/h	Δpw kPa	Afl m³/h	QT kW	QS kW	Tau °C	UR %	QT kW	QS kW	Tau °C	UR %	QT kW	QS kW	Tau °C	UR %	QT kW	QS kW	Tau °C	UR %
5	min (2)	408	1,6	284	1,73	1,47	7,5	99,8	2,05	1,61	8,0	99,8	2,38	1,75	8,5	99,8	2,73	1,89	9,0	99,8
6	min (2)	380	1,4	284	1,61	1,41	8,1	99,8	1,89	1,53	8,9	99,8	2,21	1,67	9,4	99,8	2,56	1,80	9,9	99,8
7	min (2)	350	1,2	284	1,50	1,37	8,5	99,8	1,72	1,44	9,8	99,8	2,04	1,58	10,3	99,8	2,38	1,72	10,9	99,8
8	min (2)	319	1,0	284	1,36	1,30	9,2	99,8	1,61	1,41	10,1	99,8	1,86	1,49	11,2	99,8	2,19	1,63	11,8	99,8
9	min (2)	296	0,9	284	1,24	1,24	9,9	99,8	1,47	1,34	10,8	99,8	1,72	1,44	11,8	99,8	2,01	1,54	12,7	99,8
10	min (2)	270	0,8	284	1,10	1,10	11,3	99,8	1,34	1,29	11,3	99,8	1,57	1,37	12,5	99,8	1,86	1,48	13,4	99,8
5	med (6,5)	784	7,5	606	3,33	3,22	7,1	98,	3,93	3,52	7,6	98,3	4,57	3,83	8,1	98,8	5,24	4,12	8,6	99,4
6	med (6,5)	723	6,5	606	3,12	3,12	7,6	99,8	3,59	3,33	8,5	98,	4,21	3,62	9,1	98,4	4,87	3,92	9,6	98,9
7	med (6,5)	659	5,5	606	2,85	2,85	8,9	99,8	3,30	3,18	9,2	98,8	3,84	3,42	10,1	98,	4,48	3,70	10,7	98,4
8	med (6,5)	607	4,7	606	2,59	2,59	10,2	99,8	3,04	3,04	9,9	99,8	3,48	3,23	11,0	97,7	4,10	3,51	11,6	97,9
9	med (6,5)	552	4,0	606	2,33	2,33	11,5	99,8	2,75	2,75	11,4	99,8	3,21	3,12	11,5	98,9	3,71	3,31	12,6	97,5
10	med (6,5)	501	3,4	606	2,08	2,08	12,7	98,8	2,47	2,47	12,8	99,8	2,92	2,92	12,5	99,6	3,42	3,19	13,2	98,5
5	max (8)	973	11,0	767	4,14	3,84	8,0	96,4	4,88	4,21	8,5	96,8	5,67	4,57	9,1	97,3	6,51	4,93	9,7	97,9
6	max (8)	896	9,5	767	3,81	3,69	8,6	97,4	4,45	3,97	9,5	96,5	5,22	4,33	10,1	96,9	6,04	4,68	10,7	97,4
7	max (8)	815	8,0	767	3,50	3,50	9,3	98,9	4,08	3,80	10,1	97,3	4,75	4,08	11,0	96,5	5,54	4,42	11,7	96,8
8	max (8)	730	6,6	767	3,19	3,19	10,5	99,8	3,73	3,66	10,7	98,6	4,26	3,83	12,0	96,1	5,02	4,15	12,8	96,4
9	max (8)	680	5,8	767	2,89	2,89	11,7	99,8	3,38	3,38	11,8	98,3	3,96	3,72	12,4	97,4	4,56	3,93	13,6	96,
10	max (8)	616	4,8	767	2,57	2,57	13,0	96,9	3,05	3,05	13,1	99,5	3,59	3,56	13,1	98,	4,19	3,79	14,2	97,

Heating capacity

80 S					Tai: 10°		Tai: 15°		Tai: 20°		Tai: 22°	
Twi °C	Spd	G l/h	Δpw kPa	Afl m³/h	Q kW	Tau °C	Q kW	Tau °C	Q kW	Tau °C	Q kW	Tau °C
40	min (2)	408	1,4	284	3,00	41,6	2,48	41,2	1,97	40,8	1,77	40,7
45	min (2)	380	1,3	284	3,47	46,7	2,96	46,3	2,45	45,9	2,25	45,8
50	min (2)	350	1,1	284	3,94	51,6	3,43	51,2	2,92	50,8	2,72	50,7
60	min (2)	336	1,0	284	4,95	62,3	4,43	61,7	3,91	61,3	3,71	61,2
70	min (2)	446	1,7	284	6,32	76,7	5,75	75,8	5,20	74,9	4,98	74,6
80	min (2)	555	2,5	284	7,64	90,7	7,04	89,4	6,46	88,2	6,22	87,8
40	med (6,5)	784	6,8	606	5,54	37,4	4,59	37,7	3,66	38,1	3,28	38,3
45	med (6,5)	723	5,9	606	6,42	41,8	5,47	42,1	4,54	42,5	4,17	42,6
50	med (6,5)	659	5,0	606	7,25	45,9	6,32	46,3	5,39	46,7	5,02	46,8
60	med (6,5)	619	4,5	606	9,09	55,0	8,14	55,3	7,20	55,7	6,83	55,8
70	med (6,5)	820	7,4	606	11,58	67,3	10,56	67,3	9,55	67,3	9,15	67,3
80	med (6,5)	1005	10,7	606	13,80	78,3	12,74	78,1	11,70	77,9	11,28	77,9
40	max (8)	973	10,2	767	6,76	36,4	5,61	36,9	4,46	37,5	4,01	37,7
45	max (8)	896	8,8	767	7,83	40,6	6,68	41,1	5,54	41,7	5,09	41,9
50	max (8)	815	7,4	767	8,85	44,6	7,71	45,2	6,58	45,7	6,13	46,0
60	max (8)	752	6,4	767	11,04	53,2	9,89	53,7	8,75	54,2	8,30	54,5
70	max (8)	986	10,4	767	13,91	64,4	12,68	64,6	11,48	64,9	11,00	65,0
80	max (8)	1209	15,1	767	16,59	74,9	15,33	75,0	14,08	75,1	13,58	75,1

Spd Fan speed.
The number in parentheses indicates the control signal Vdc led the drive motor.

Afl Air flow rate

Twi Water inlet temperature

G Water flow rate

Δpw Water side pressure drops

Tai Air inlet temperature

UR Relative humidity

QT Cooling capacity (total heat)

QS Cooling capacity (sensitive heat)

Q Heating capacity

Tau Air outlet temperature

Heating capacity additional coil KB4-4

80 S					Tai: 10°		Tai: 15°		Tai: 20°		Tai: 22°	
Ewt °C	Spd	G l/h	Δpw kPa	Afl m³/h	Q kW	Tau °C	Q kW	Tau °C	Q kW	Tau °C	Q kW	Tau °C
60	min (2)	175	1,5	284	2,55	36,9	2,29	39,2	2,03	41,5	1,93	42,4
70	min (2)	239	2,7	284	3,35	45,4	3,07	47,4	2,78	49,4	2,67	50,2
80	min (2)	299	4,0	284	4,08	53,1	3,77	54,9	3,48	56,7	3,36	57,5
60	med (6,5)	282	3,6	606	4,12	30,4	3,70	33,3	3,28	36,3	3,12	37,4
70	med (6,5)	374	6,0	606	5,24	35,9	4,79	38,7	4,35	41,5	4,17	42,7
80	med (6,5)	462	8,8	606	6,30	41,2	5,83	43,9	5,37	46,6	5,19	47,7
60	max (8)	330	4,9	767	4,82	28,9	4,33	32,0	3,85	35,0	3,65	36,3
70	max (8)	433	7,9	767	6,07	33,7	5,55	36,7	5,04	39,7	4,84	40,9
80	max (8)	535	11,6	767	7,30	38,5	6,76	41,4	6,23	44,4	6,02	45,5

Yardy-ID2 80 H capacities

Cooling capacity

80 H					Tai: 23°C / 47% UR				Tai: 25°C / 47% UR				Tai: 27°C / 47% UR				Tai: 29°C / 47% UR			
Twi °C	Spd	G l/h	Δpw kPa	Afl m³/h	QT kW	QS kW	Tau °C	UR %	QT kW	QS kW	Tau °C	UR %	QT kW	QS kW	Tau °C	UR %	QT kW	QS kW	Tau °C	UR %
5	min (2)	408	1,6	284	1,73	1,47	7,5	99,8	2,05	1,61	8,0	99,8	2,38	1,75	8,5	99,8	2,73	1,89	9,0	99,8
6	min (2)	380	1,4	284	1,61	1,41	8,1	99,8	1,89	1,53	8,9	99,8	2,21	1,67	9,4	99,8	2,56	1,80	9,9	99,8
7	min (2)	350	1,2	284	1,50	1,37	8,5	99,8	1,72	1,44	9,8	99,8	2,04	1,58	10,3	99,8	2,38	1,72	10,9	99,8
8	min (2)	319	1,0	284	1,36	1,30	9,2	99,8	1,61	1,41	10,1	99,8	1,86	1,49	11,2	99,8	2,19	1,63	11,8	99,8
9	min (2)	296	0,9	284	1,24	1,24	9,9	99,8	1,47	1,34	10,8	99,8	1,72	1,44	11,8	99,8	2,01	1,54	12,7	99,8
10	min (2)	270	0,8	284	1,10	1,10	11,3	99,8	1,34	1,29	11,3	99,8	1,57	1,37	12,5	99,8	1,86	1,48	13,4	99,8
5	med (6,5)	1112	11,4	866	4,72	3,94	9,3	95,7	5,58	4,32	10,0	96,	6,48	4,69	10,8	96,5	7,43	5,05	11,5	97,1
6	med (6,5)	1023	9,9	866	4,35	3,78	9,9	96,7	5,08	4,07	10,9	95,7	5,96	4,44	11,6	96,1	6,89	4,79	12,4	96,6
7	med (6,5)	930	8,3	866	4,00	3,66	10,3	98,3	4,57	3,83	11,7	95,4	5,42	4,18	12,5	95,7	6,32	4,53	13,3	96,1
8	med (6,5)	832	6,8	866	3,64	3,54	10,7	99,8	4,20	3,70	12,2	96,8	4,85	3,92	13,4	95,3	5,72	4,25	14,3	95,6
9	med (6,5)	775	6,0	866	3,31	3,31	11,5	99,8	3,85	3,57	12,6	97,7	4,51	3,81	13,8	96,6	5,20	4,03	15,1	95,2
10	med (6,5)	702	5,0	866	2,93	2,93	12,8	96,1	3,48	3,44	13,1	98,8	4,09	3,65	14,3	97,3	4,77	3,88	15,5	96,3
5	max (8)	1235	12,0	1010	5,25	4,57	9,4	94,6	6,20	5,01	10,1	95,	7,20	5,44	10,8	95,5	8,26	5,86	11,6	96,1
6	max (8)	1136	10,3	1010	4,83	4,40	9,9	95,7	5,65	4,73	11,0	94,7	6,62	5,15	11,7	95,1	7,66	5,56	12,5	95,6
7	max (8)	1033	8,7	1010	4,46	4,26	10,3	97,4	5,07	4,44	11,8	94,4	6,02	4,85	12,6	94,7	7,02	5,25	13,4	95,1
8	max (8)	923	7,1	1010	4,06	4,06	10,9	99,4	4,67	4,30	12,2	95,9	5,38	4,54	13,5	94,3	6,34	4,93	14,4	94,6
9	max (8)	854	6,2	1010	3,68	3,68	12,1	99,8	4,27	4,15	12,7	96,8	5,00	4,42	13,9	95,7	5,75	4,66	15,2	94,2
10	max (8)	778	5,2	1010	3,27	3,27	13,3	95,4	3,87	3,87	13,5	98,	4,54	4,25	14,4	96,5	5,22	4,45	15,8	94,5

Heating capacity

80 H					Tai: 10°		Tai: 15°		Tai: 20°		Tai: 22°	
Twi °C	Spd	G l/h	Δpw kPa	Afl m³/h	Q kW	Tau °C	Q kW	Tau °C	Q kW	Tau °C	Q kW	Tau °C
40	min (2)	408	1,4	284	3,00	41,6	2,48	41,2	1,97	40,8	1,77	40,7
45	min (2)	380	1,3	284	3,47	46,7	2,96	46,3	2,45	45,9	2,25	45,8
50	min (2)	350	1,1	284	3,94	51,6	3,43	51,2	2,92	50,8	2,72	50,7
60	min (2)	336	1,0	284	4,95	62,3	4,43	61,7	3,91	61,3	3,71	61,2
70	min (2)	446	1,7	284	6,32	76,7	5,75	75,8	5,20	74,9	4,98	74,6
80	min (2)	555	2,5	284	7,64	90,7	7,04	89,4	6,46	88,2	6,22	87,8
40	med (6,5)	1112	10,6	866	7,90	37,4	6,56	37,7	5,22	38,1	4,69	38,3
45	med (6,5)	1023	9,1	866	9,15	41,7	7,81	42,0	6,48	42,4	5,95	42,6
50	med (6,5)	930	7,7	866	10,34	45,8	9,01	46,2	7,69	46,6	7,16	46,8
60	med (6,5)	884	7,0	866	12,98	55,0	11,63	55,3	10,29	55,6	9,76	55,8
70	med (6,5)	1152	11,3	866	16,25	66,3	14,82	66,4	13,41	66,5	12,85	66,5
80	med (6,5)	1414	16,4	866	19,40	77,2	17,92	77,1	16,46	77,0	15,88	77,0
40	max (8)	1235	11,0	1010	8,79	36,1	7,29	36,7	5,81	37,2	5,22	37,5
45	max (8)	1136	9,5	1010	10,17	40,2	8,68	40,8	7,20	41,4	6,62	41,6
50	max (8)	1033	8,0	1010	11,49	44,1	10,01	44,7	8,55	45,4	7,96	45,7
60	max (8)	981	7,3	1010	14,39	52,8	12,90	53,3	11,42	53,9	10,83	54,2
70	max (8)	1272	11,6	1010	17,93	63,3	16,36	63,6	14,81	64,0	14,19	64,1
80	max (8)	1562	16,8	1010	21,41	73,6	19,79	73,8	18,18	74,0	17,55	74,1

- Spd** Fan speed.
The number in parentheses indicates the control signal Vdc led the drive motor.

- Afl** Air flow rate

- Twi** Water inlet temperature

- G** Water flow rate

- Δpw** Water side pressure drops

- Tai** Air inlet temperature

- UR** Relative humidity

- QT** Cooling capacity (total heat)

- QS** Cooling capacity (sensitive heat)

- Q** Heating capacity

- Tau** Air outlet temperature

Heating capacity additional coil KB4-4

80 H					Tai: 10°		Tai: 15°		Tai: 20°		Tai: 22°	
Ewt °C	Spd	G l/h	Δpw kPa	Afl m³/h	Q kW	Tau °C	Q kW	Tau °C	Q kW	Tau °C	Q kW	Tau °C
60	min (2)	175	6,8	284	2,55	36,9	2,29	39,2	2,03	41,5	1,93	42,4
70	min (2)	239	11,9	284	3,35	45,4	3,07	47,4	2,78	49,4	2,67	50,2
80	min (2)	299	17,8	284	4,08	53,1	3,77	54,9	3,48	56,7	3,36	57,5
60	med (6,5)	372	6,0	866	5,43	28,8	4,88	31,9	4,33	35,0	4,11	36,2
70	med (6,5)	488	9,8	866	6,84	33,7	6,26	36,7	5,68	39,7	5,45	40,9
80	med (6,5)	603	14,4	866	8,22	38,5	7,62	41,4	7,02	44,3	6,79	45,5
60	max (8)	414	1,7	1010	6,04	27,9	5,43	31,1	4,82	34,3	4,57	35,6
70	max (8)	543	2,7	1010	7,61	32,6	6,96	35,7	6,32	38,8	6,06	40,0
80	max (8)	672	4,0	1010	9,15	37,2	8,48	40,2	7,82	43,2	7,55	44,4

Yardy-ID2 88 S capacities

Cooling capacity

88 S					Tai: 23°C / 47% UR				Tai: 25°C / 47% UR				Tai: 27°C / 47% UR				Tai: 29°C / 47% UR			
Twi °C	Spd	G l/h	Δpw kPa	Afl m³/h	QT kW	QS kW	Tau °C	UR %	QT kW	QS kW	Tau °C	UR %	QT kW	QS kW	Tau °C	UR %	QT kW	QS kW	Tau °C	UR %
5	min (2)	458	7,3	284	1,95	1,48	7,4	99,8	2,30	1,63	7,8	99,8	2,67	1,77	8,3	99,8	3,06	1,92	8,8	99,8
6	min (2)	427	6,4	284	1,81	1,42	8,0	99,8	2,12	1,54	8,7	99,8	2,49	1,69	9,2	99,8	2,88	1,83	9,7	99,8
7	min (2)	394	5,6	284	1,65	1,35	8,7	99,8	1,94	1,46	9,6	99,8	2,30	1,60	10,1	99,8	2,68	1,74	10,6	99,8
8	min (2)	360	4,7	284	1,51	1,30	9,3	99,8	1,78	1,39	10,3	99,8	2,10	1,51	11,0	99,8	2,48	1,65	11,6	99,8
9	min (2)	334	4,1	284	1,35	1,24	9,9	99,8	1,64	1,34	10,8	99,8	1,94	1,45	11,7	99,8	2,28	1,56	12,5	99,8
10	min (2)	305	3,5	284	1,21	1,19	10,5	99,8	1,48	1,27	11,6	99,8	1,77	1,38	12,4	99,8	2,10	1,49	13,2	99,8
5	med (6,5)	871	8,6	594	3,70	2,90	8,3	99,8	4,38	3,18	8,9	99,8	5,09	3,46	9,5	99,8	5,84	3,73	10,2	99,8
6	med (6,5)	807	7,5	594	3,45	2,81	8,8	99,8	4,00	3,01	9,8	99,8	4,70	3,28	10,4	99,8	5,44	3,55	11,1	99,8
7	med (6,5)	738	6,4	594	3,15	2,69	9,4	99,8	3,68	2,87	10,5	99,8	4,30	3,10	11,3	99,8	5,02	3,36	12,0	99,8
8	med (6,5)	681	5,5	594	2,84	2,57	10,0	99,8	3,38	2,76	11,0	99,8	3,96	2,96	12,0	99,8	4,61	3,18	12,9	99,8
9	med (6,5)	620	4,7	594	2,55	2,45	10,6	99,8	3,05	2,62	11,8	99,8	3,61	2,82	12,7	99,8	4,24	3,04	13,6	99,8
10	med (6,5)	562	3,9	594	2,28	2,28	11,5	99,8	2,75	2,50	12,4	99,8	3,27	2,68	13,5	99,8	3,87	2,90	14,4	99,8
5	max (8)	1038	9,5	738	4,41	3,47	8,9	99,8	5,22	3,81	9,5	99,8	6,06	4,14	10,2	99,8	6,96	4,46	10,9	99,8
6	max (8)	959	8,3	738	4,11	3,37	9,3	99,8	4,76	3,60	10,4	99,8	5,59	3,92	11,1	99,8	6,46	4,24	11,8	99,8
7	max (8)	876	7,0	738	3,74	3,22	9,9	99,8	4,36	3,43	11,1	99,8	5,10	3,70	12,0	99,8	5,95	4,01	12,7	99,8
8	max (8)	805	6,0	738	3,38	3,07	10,5	99,8	4,00	3,30	11,6	99,8	4,68	3,53	12,6	99,8	5,45	3,79	13,6	99,8
9	max (8)	730	5,0	738	3,01	2,95	11,0	99,8	3,61	3,14	12,2	99,8	4,25	3,35	13,4	99,8	4,98	3,61	14,3	99,8
10	max (8)	658	4,2	738	2,68	2,68	12,1	99,8	3,21	2,98	12,9	99,8	3,83	3,20	14,0	99,8	4,51	3,42	15,1	99,8

Heating capacity

88 S					Tai: 10°		Tai: 15°		Tai: 20°		Tai: 22°	
Twi °C	Spd	G l/h	Δpw kPa	Afl m³/h	Q kW	Tau °C	Q kW	Tau °C	Q kW	Tau °C	Q kW	Tau °C
40	min (2)	458	6,9	284	3,05	42,2	2,52	41,6	2,00	41,1	1,80	41,0
45	min (2)	427	6,1	284	3,55	47,4	3,01	46,8	2,49	46,4	2,29	46,2
50	min (2)	395	5,3	284	4,03	52,6	3,50	52,0	2,98	51,5	2,77	51,3
60	min (2)	322	3,7	284	4,95	62,3	4,43	61,8	3,91	61,3	3,70	61,1
70	min (2)	424	6,0	284	6,21	75,6	5,65	74,7	5,10	73,8	4,88	73,5
80	min (2)	526	8,9	284	7,43	88,5	6,84	87,2	6,26	86,2	6,03	85,7
40	med (6,5)	871	8,2	594	5,63	38,4	4,66	38,5	3,70	38,7	3,33	38,8
45	med (6,5)	807	7,2	594	6,54	43,0	5,57	43,1	4,61	43,3	4,23	43,4
50	med (6,5)	738	6,1	594	7,43	47,5	6,46	47,6	5,50	47,8	5,12	47,9
60	med (6,5)	589	4,1	594	9,08	55,8	8,12	56,0	7,17	56,2	6,80	56,3
70	med (6,5)	780	6,7	594	11,38	67,5	10,36	67,3	9,36	67,3	8,96	67,3
80	med (6,5)	956	9,7	594	13,49	78,1	12,44	77,8	11,41	77,6	11,00	77,5
40	max (8)	1038	9,1	738	6,86	37,9	5,69	38,1	4,52	38,4	4,06	38,5
45	max (8)	960	7,9	738	7,97	42,4	6,79	42,6	5,63	42,9	5,17	43,0
50	max (8)	875	6,7	738	9,06	46,8	7,87	47,0	6,71	47,3	6,25	47,4
60	max (8)	718	4,7	738	11,11	55,2	9,94	55,4	8,79	55,7	8,33	55,9
70	max (8)	946	7,7	738	13,81	66,1	12,58	66,1	11,37	66,2	10,89	66,3
80	max (8)	1149	10,9	738	16,37	76,5	15,10	76,4	13,85	76,3	13,36	76,3

- Spd** Fan speed.
The number in parentheses indicates the control signal Vdc led the drive motor.

- Afl** Air flow rate

- Twi** Water inlet temperature

- G** Water flow rate

- Δpw** Water side pressure drops

- Tai** Air inlet temperature

- UR** Relative humidity

- QT** Cooling capacity (total heat)

- QS** Cooling capacity (sensitive heat)

- Q** Heating capacity

- Tau** Air outlet temperature

Heating capacity additional coil KB4-4

88 S					Tai: 10°		Tai: 15°		Tai: 20°		Tai: 22°	
Ewt °C	Spd	G l/h	Δpw kPa	Afl m³/h	Q kW	Tau °C	Q kW	Tau °C	Q kW	Tau °C	Q kW	Tau °C
60	min (2)	166	1,3	284	2,62	37,7	2,36	39,9	2,09	42,1	1,98	42,9
70	min (2)	227	1,3	284	3,19	43,6	2,91	45,8	2,64	47,9	2,53	48,7
80	min (2)	284	1,4	284	3,72	49,3	3,45	51,4	3,17	53,5	3,06	54,4
60	med (6,5)	268	3,1	594	4,13	30,9	3,71	33,7	3,29	36,6	3,13	37,8
70	med (6,5)	355	3,2	594	4,98	35,1	4,55	38,0	4,13	40,9	3,96	42,0
80	med (6,5)	438	3,4	594	5,82	39,4	5,39	42,2	4,97	45,1	4,80	46,2
60	max (8)	314	4,0	738	4,79	29,5	4,30	32,5	3,82	35,5	3,62	36,7
70	max (8)	411	4,2	738	5,77	33,5	5,28	36,5	4,79	39,5	4,60	40,7
80	max (8)	509	4,4	738	6,75	37,4	6,25	40,4	5,76	43,4	5,56	44,6

Yardy-ID2 88 H capacities

Cooling capacity

88 H					Tai: 23°C / 47% UR				Tai: 25°C / 47% UR				Tai: 27°C / 47% UR				Tai: 29°C / 47% UR			
Twi °C	Spd	G l/h	Δpw kPa	Afl m³/h	QT kW	QS kW	Tau °C	UR %	QT kW	QS kW	Tau °C	UR %	QT kW	QS kW	Tau °C	UR %	QT kW	QS kW	Tau °C	UR %
5	min (2)	458	7,3	284	1,95	1,48	7,4	99,8	2,30	1,63	7,8	99,8	2,67	1,77	8,3	99,8	3,06	1,92	8,8	99,8
6	min (2)	427	6,4	284	1,81	1,42	8,0	99,8	2,12	1,54	8,7	99,8	2,49	1,69	9,2	99,8	2,88	1,83	9,7	99,8
7	min (2)	394	5,6	284	1,65	1,35	8,7	99,8	1,94	1,46	9,6	99,8	2,30	1,60	10,1	99,8	2,68	1,74	10,6	99,8
8	min (2)	360	4,7	284	1,51	1,30	9,3	99,8	1,78	1,39	10,3	99,8	2,10	1,51	11,0	99,8	2,48	1,65	11,6	99,8
9	min (2)	334	4,1	284	1,35	1,24	9,9	99,8	1,64	1,34	10,8	99,8	1,94	1,45	11,7	99,8	2,28	1,56	12,5	99,8
10	min (2)	305	3,5	284	1,21	1,19	10,5	99,8	1,48	1,27	11,6	99,8	1,77	1,38	12,4	99,8	2,10	1,49	13,2	99,8
5	med (6,5)	1183	10,8	831	5,03	3,85	9,1	99,8	5,95	4,23	9,7	99,8	6,91	4,59	10,4	99,8	7,93	4,95	11,1	99,8
6	med (6,5)	1092	9,3	831	4,68	3,74	9,5	99,8	5,42	3,99	10,6	99,8	6,37	4,35	11,3	99,8	7,36	4,70	12,0	99,8
7	med (6,5)	996	7,9	831	4,26	3,58	10,1	99,8	4,96	3,80	11,3	99,8	5,80	4,10	12,2	99,8	6,77	4,44	13,0	99,8
8	med (6,5)	914	6,8	831	3,84	3,41	10,7	99,8	4,55	3,66	11,8	99,8	5,32	3,91	12,9	99,8	6,18	4,20	13,8	99,8
9	med (6,5)	827	5,7	831	3,43	3,27	11,2	99,8	4,09	3,48	12,4	99,8	4,81	3,71	13,6	99,8	5,64	3,99	14,6	99,8
10	med (6,5)	745	4,7	831	3,04	2,97	12,3	99,8	3,64	3,30	13,1	99,8	4,34	3,53	14,2	99,8	5,10	3,78	15,3	99,8
5	max (8)	1308	11,5	949	5,56	4,23	9,6	99,8	6,57	4,65	10,3	99,8	7,64	5,05	11,0	99,8	8,77	5,44	11,8	99,8
6	max (8)	1207	9,9	949	5,17	4,11	10,0	99,8	5,99	4,38	11,2	99,8	7,03	4,78	11,9	99,8	8,13	5,16	12,7	99,8
7	max (8)	1099	8,4	949	4,71	3,94	10,6	99,8	5,48	4,18	11,8	99,8	6,40	4,50	12,8	99,8	7,47	4,87	13,6	99,8
8	max (8)	996	7,0	949	4,23	3,74	11,2	99,8	5,00	4,01	12,3	99,8	5,84	4,28	13,5	99,8	6,78	4,59	14,5	99,7
9	max (8)	910	6,0	949	3,79	3,59	11,7	99,8	4,51	3,82	12,9	99,8	5,30	4,07	14,1	99,8	6,21	4,38	15,2	99,8
10	max (8)	818	4,9	949	3,35	3,25	12,7	98,9	4,01	3,61	13,6	99,8	4,76	3,87	14,8	99,8	5,59	4,14	15,9	99,8

Heating capacity

88 H					Tai: 10°		Tai: 15°		Tai: 20°		Tai: 22°	
Twi °C	Spd	G l/h	Δpw kPa	Afl m³/h	Q kW	Tau °C	Q kW	Tau °C	Q kW	Tau °C	Q kW	Tau °C
40	min (2)	458	6,9	284	3,05	42,2	2,52	41,6	2,00	41,1	1,80	41,0
45	min (2)	427	6,1	284	3,55	47,4	3,01	46,8	2,49	46,4	2,29	46,2
50	min (2)	395	5,3	284	4,03	52,6	3,50	52,0	2,98	51,5	2,77	51,3
60	min (2)	322	3,7	284	4,95	62,3	4,43	61,8	3,91	61,3	3,70	61,1
70	min (2)	424	6,0	284	6,21	75,6	5,65	74,7	5,10	73,8	4,88	73,5
80	min (2)	526	8,9	284	7,43	88,5	6,84	87,2	6,26	86,2	6,03	85,7
40	med (6,5)	1184	10,2	831	8,02	38,9	6,64	39,0	5,28	39,1	4,75	39,1
45	med (6,5)	1092	8,9	831	9,31	43,6	7,93	43,6	6,57	43,7	6,03	43,8
50	med (6,5)	996	7,5	831	10,58	48,2	9,20	48,2	7,84	48,3	7,30	48,4
60	med (6,5)	834	5,4	831	13,03	57,1	11,66	57,1	10,31	57,2	9,77	57,3
70	med (6,5)	1092	8,9	831	16,07	68,0	14,64	67,9	13,23	67,8	12,67	67,8
80	med (6,5)	1324	12,5	831	19,04	78,7	17,57	78,4	16,12	78,2	15,54	78,1
40	max (8)	1308	11,0	949	8,92	38,2	7,39	38,4	5,88	38,6	5,28	38,7
45	max (8)	1207	9,5	949	10,35	42,7	8,82	42,9	7,31	43,1	6,71	43,2
50	max (8)	1099	8,0	949	11,76	47,2	10,23	47,3	8,72	47,6	8,12	47,7
60	max (8)	929	5,9	949	14,51	55,9	12,98	56,0	11,48	56,3	10,88	56,4
70	max (8)	1207	9,5	949	17,88	66,5	16,29	66,5	14,73	66,6	14,11	66,6
80	max (8)	1460	13,3	949	21,18	77,0	19,55	76,8	17,94	76,7	17,31	76,7

Spd Fan speed.
The number in parentheses indicates the control signal Vdc led the drive motor.

Afl Air flow rate

Twi Water inlet temperature

G Water flow rate

Δpw Water side pressure drops

Tai Air inlet temperature

UR Relative humidity

QT Cooling capacity (total heat)

QS Cooling capacity (sensitive heat)

Q Heating capacity

Tau Air outlet temperature

Heating capacity additional coil KB4-4

88 H					Tai: 10°		Tai: 15°		Tai: 20°		Tai: 22°	
Ewt °C	Spd	G l/h	Δpw kPa	Afl m³/h	Q kW	Tau °C	Q kW	Tau °C	Q kW	Tau °C	Q kW	Tau °C
60	min (2)	166	1,3	284	2,62	37,7	2,36	39,9	2,09	42,1	1,98	42,9
70	min (2)	227	1,3	284	3,19	43,6	2,91	45,8	2,64	47,9	2,53	48,7
80	min (2)	284	1,4	284	3,72	49,3	3,45	51,4	3,17	53,5	3,06	54,4
60	med (6,5)	366	4,4	831	5,59	30,2	5,02	33,1	4,46	36,1	4,23	37,3
70	med (6,5)	480	4,6	831	6,73	34,3	6,16	37,2	5,59	40,2	5,36	41,4
80	med (6,5)	594	4,8	831	7,87	38,4	7,30	41,3	6,72	44,3	6,49	45,4
60	max (8)	393	5,5	949	6,00	29,0	5,39	32,0	4,78	35,1	4,54	36,4
70	max (8)	515	5,8	949	7,22	32,8	6,61	35,9	6,00	39,0	5,76	40,2
80	max (8)	638	6,0	949	8,45	36,7	7,83	39,8	7,22	42,8	6,97	44,0

Available head pressure and capacity correction factors Yardy-EV3 45-48

Yardy-EV3 versions IVP - IVF - IXP

Yardy-EV3 15

ΔP_u	Spd max (2)		Spd med (4)		Spd min (6)	
	Afl	R	Afl	R	Afl	R
Pa	m ³ /h	%	m ³ /h	%	m ³ /h	%
0	209	1	163	0,85	100	0,61
10	155	0,81	93	0,59	21	0,33
20	108	0,64	46	0,42	-	-
30	62	0,48	-	-	-	-

Yardy-EV3 20

ΔP_u	Spd max (2)		Spd med (4)		Spd min (6)	
	Afl	R	Afl	R	Afl	R
Pa	m ³ /h	%	m ³ /h	%	m ³ /h	%
0	288	1	207	0,77	156	0,64
10	237	0,86	139	0,59	82	0,43
20	191	0,73	90	0,45	41	0,32
30	155	0,63	52	0,35	-	-
40	115	0,53	-	-	-	-

Yardy-EV3 24

ΔP_u	Spd max (1)		Spd med (3)		Spd min (5)	
	Afl	R	Afl	R	Afl	R
Pa	m ³ /h	%	m ³ /h	%	m ³ /h	%
0	339	1,00	238	0,78	177	0,59
10	293	1,00	186	0,64	110	0,46
20	255	0,91	142	0,53	64	0,34
30	211	0,79	103	0,44	-	-
40	180	0,70	-	-	-	-

Yardy-EV3 25

ΔP_u	Spd max (1)		Spd med (3)		Spd min (5)	
	Afl	R	Afl	R	Afl	R
Pa	m ³ /h	%	m ³ /h	%	m ³ /h	%
0	484	1,00	339	0,81	252	0,64
10	422	0,91	252	0,66	143	0,49
20	350	0,80	175	0,54	52	0,35
30	294	0,72	118	0,45	-	-
40	242	0,64	-	-	-	-

Yardy-EV3 30-34

ΔP_u	Spd max (2)		Spd med (3)		Spd min (5)	
	Afl	R	Afl	R	Afl	R
Pa	m ³ /h	%	m ³ /h	%	m ³ /h	%
0	483	1,00	383	1,00	281	1,00
10	396	0,84	291	0,79	170	0,66
20	331	0,72	221	0,63	98	0,42
30	270	0,61	157	0,48	-	-
40	209	0,49	97	0,32	-	-

Yardy-EV3 40

ΔP_u	Spd max (1)		Spd med (3)		Spd min (5)	
	Afl	R	Afl	R	Afl	R
Pa	m ³ /h	%	m ³ /h	%	m ³ /h	%
0	587	1,00	419	1,00	365	1,00
10	488	0,85	318	0,79	216	0,66
20	415	0,74	233	0,62	115	0,40
30	349	0,64	157	0,46	-	-
40	283	0,54	-	-	-	-
50	211	0,43	-	-	-	-

ΔP_u	Spd max (1)		Spd med (3)		Spd min (4)	
	Afl	R	Afl	R	Afl	R
Pa	m ³ /h	%	m ³ /h	%	m ³ /h	%
0	681	1,00	474	0,77	431	0,70
10	597	0,91	381	0,65	319	0,58
20	525	0,82	283	0,54	237	0,49
30	438	0,72	218	0,47	170	0,41
40	386	0,66	149	0,39	101	0,33
50	319	0,58	-	-	-	-
60	232	0,48	-	-	-	-

Yardy-EV3 55-58

ΔP_u	Spd max (1)		Spd med (3)		Spd min (4)	
	Afl	R	Afl	R	Afl	R
Pa	m ³ /h	%	m ³ /h	%	m ³ /h	%
0	1077	1,00	802	0,82	662	0,72
10	1020	0,96	731	0,77	572	0,66
20	927	0,90	628	0,70	472	0,60
30	829	0,83	546	0,65	386	0,54
40	742	0,78	474	0,60	283	0,47
50	649	0,71	373	0,53	219	0,43
60	572	0,66	287	0,47	-	-

Yardy-EV3 60-74

ΔP_u	Spd max (1)		Spd med (3)		Spd min (5)	
	Afl	R	Afl	R	Afl	R
Pa	m ³ /h	%	m ³ /h	%	m ³ /h	%
0	1235	1,00	948	0,83	757	0,68
10	1174	0,97	876	0,77	670	0,63
20	1082	0,90	783	0,70	564	0,56
30	989	0,84	706	0,65	479	0,50
40	886	0,77	623	0,60	402	0,45
50	793	0,71	541	0,54	335	0,40
60	690	0,64	448	0,48	258	0,35
70	567	0,56	361	0,42	165	0,29

Yardy-EV3 80-88

ΔP_u	Spd max (1)		Spd med (4)		Spd min (6)	
	Afl	R	Afl	R	Afl	R
Pa	m ³ /h	%	m ³ /h	%	m ³ /h	%
0	1480	1,00	1171	0,83	994	0,77
10	1411	0,96	1107	0,81	927	0,72
20	1329	0,92	1020	0,77	834	0,68
30	1236	0,88	932	0,73	747	0,64
40	1154	0,84	845	0,68	659	0,59
50	1051	0,79	757	0,64	585	0,56
60	937	0,73	649	0,59	489	0,51
70	814	0,67	541	0,54	386	0,46
80	680	0,60	412	0,47	258	0,40

Spd Fan speed

 ΔP_u Available head pressure

Afl Air flow rate

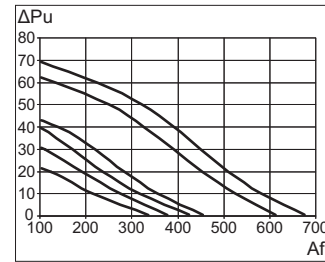
R Capacity correction factor with reference to the nominal cooling capacity (total heat) at maximum speed

Available head pressure and capacity correction factors

YardyDUCT2 versions

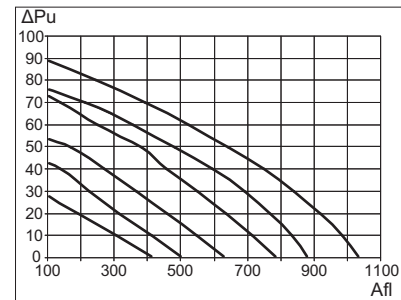
Yardy DUCT2 40-48

ΔPu	Spd VI		Spd V		Spd IV		Spd III		Spd II		Spd I	
	Afl	R	Afl	R	Afl	R	Afl	R	Afl	R	Afl	R
Pa	m³/h	%	m³/h	%	m³/h	%	m³/h	%	m³/h	%	m³/h	%
0	680	2,26	617	2,10	460	1,66	431	1,57	382	1,42	341	1,29
10	582	2,00	525	1,85	356	1,34	317	1,22	275	1,08	214	0,87
20	509	1,80	454	1,64	285	1,11	238	0,95	191	0,79	124	0,55
30	450	1,63	392	1,45	221	0,89	172	0,72	111	0,50	-	-
40	392	1,45	326	1,25	140	0,61	98	0,45	-	-	-	-
50	322	1,23	250	1,00	-	-	-	-	-	-	-	-
60	227	0,91	136	0,59	-	-	-	-	-	-	-	-
70	95	0,44	-	-	-	-	-	-	-	-	-	-



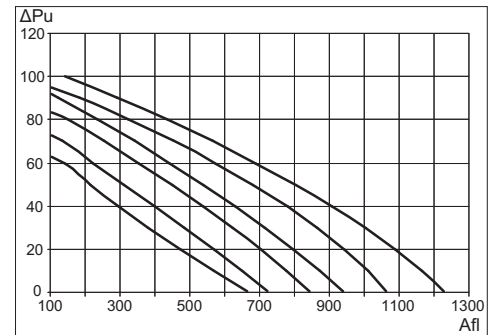
Yardy DUCT2 50

ΔPu	Spd VI		Spd V		Spd IV		Spd III		Spd II		Spd I	
	Afl	R	Afl	R	Afl	R	Afl	R	Afl	R	Afl	R
Pa	m³/h	%	m³/h	%	m³/h	%	m³/h	%	m³/h	%	m³/h	%
0	1035	2,03	880	1,85	788	1,72	635	1,47	507	1,23	418	1,05
10	984	1,98	833	1,78	71	1,61	548	1,31	410	1,04	306	0,80
20	919	1,90	769	1,69	636	1,47	459	1,14	317	0,83	193	0,53
30	840	1,79	690	1,57	550	1,32	366	0,94	226	0,61	80	0,24
40	748	1,66	595	1,40	457	1,13	271	0,72	139	0,39	-	-
50	643	1,49	484	1,19	382	1,00	172	0,48	-	-	-	-
60	524	1,27	357	0,92	251	0,67	-	-	-	-	-	-
70	392	1,00	214	0,58	138	0,39	-	-	-	-	-	-
80	246	0,66	-	-	-	-	-	-	-	-	-	-



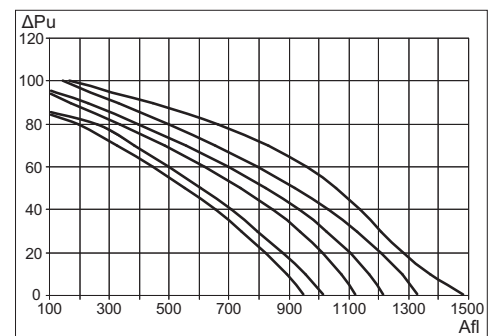
Yardy DUCT2 60-74

ΔPu	Spd VI		Spd V		Spd IV		Spd III		Spd II		Spd I	
	Afl	R	Afl	R	Afl	R	Afl	R	Afl	R	Afl	R
Pa	m³/h	%	m³/h	%	m³/h	%	m³/h	%	m³/h	%	m³/h	%
0	1231	1,94	1065	1,73	944	1,56	847	1,43	727	1,26	668	1,17
10	1164	1,85	1010	1,65	873	1,47	778	1,33	648	1,14	568	1,02
20	1088	1,76	944	1,56	798	1,36	704	1,22	567	1,02	473	0,87
30	1003	1,64	867	1,46	717	1,24	625	1,10	485	0,89	383	0,73
40	908	1,51	779	1,33	631	1,11	540	0,97	400	0,75	297	0,59
50	804	1,37	681	1,19	540	1,00	450	0,83	313	0,61	217	0,45
60	690	1,20	573	1,03	444	0,82	355	0,68	224	0,47	141	0,33
70	567	1,02	454	0,84	342	0,66	255	0,52	134	0,31	-	-
80	435	0,81	324	0,63	235	0,48	149	0,34	-	-	-	-
90	293	0,58	184	0,40	123	0,29	-	-	-	-	-	-
100	141	0,33	-	-	-	-	-	-	-	-	-	-



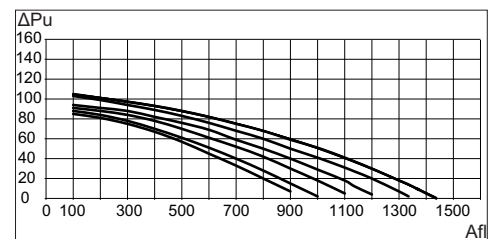
Yardy DUCT2 80

ΔPu	Spd VI		Spd V		Spd IV		Spd III		Spd II		Spd I	
	Afl	R	Afl	R	Afl	R	Afl	R	Afl	R	Afl	R
Pa	m³/h	%	m³/h	%	m³/h	%	m³/h	%	m³/h	%	m³/h	%
0	1487	1,57	1330	1,45	1218	1,36	1122	1,28	1019	1,19	953	1,13
10	1373	1,49	1277	1,41	1170	1,32	1074	1,24	953	1,13	892	1,07
20	1283	1,42	1209	1,36	1106	1,27	1012	1,19	879	1,06	822	1,01
30	1208	1,35	1127	1,29	1026	1,20	935	1,12	796	0,98	743	0,93
40	1135	1,29	1031	1,20	932	1,11	844	1,03	706	0,89	653	0,84
50	1056	1,22	919	1,10	822	1,00	739	0,92	607	0,79	553	0,73
60	958	1,14	794	0,98	696	0,88	619	0,80	499	0,67	444	0,61
70	830	1,01	653	0,84	555	0,73	485	0,65	383	0,54	325	0,47
80	663	0,85	498	0,67	399	0,56	336	0,48	260	0,39	196	0,32



Yardy DUCT2 88

ΔPu	Spd VI		Spd V		Spd IV		Spd III		Spd II		Spd I	
	Afl	R	Afl	R	Afl	R	Afl	R	Afl	R	Afl	R
Pa	m³/h	%	m³/h	%	m³/h	%	m³/h	%	m³/h	%	m³/h	%
0	1451	1,57	1352	1,49	1240	1,40	1141	1,32	1046	1,24	919	1,11
10	1381	1,51	1276	1,43	1168	1,34	1069	1,26	969	1,17	861	1,06
20	1298	1,45	1187	1,35	1084	1,27	986	1,18	882	1,08	794	1,00
30	1209	1,37	1091	1,27	996	1,19	899	1,09	792	0,99	722	0,93
40	1113	1,29	988	1,18	902	1,10	808	1,01	699	0,90	644	0,85
50	1006	1,20	877	1,07	800	1,00	709	0,91	598	0,80	558	0,76
60	888	1,08	753	0,95	688	0,89	601	0,80	488	0,69	462	0,66
70	754	0,95	615	0,81	558	0,76	475	0,67	359	0,54	350	0,53
80	597	0,79	455	0,65	397	0,58	316	0,49	187	0,31	211	0,35
90	405	0,59	259	0,41	-	-	-	-	-	-	-	-



Spd Fan speed

ΔPu Available head pressure

Afl Air flow rate

R Capacity correction factor with reference to the nominal cooling capacity (total heat)

ΔPu Available head pressure (Pa)

Afl Air flow rate (m³/h)

Available head pressure and capacity correction factors

Yardy-I versions IVP - IVF - IXP

Yardy-I 20-24

ΔP_u	Spd max 10 Vdc		Spd med 6 Vdc	
	Afl	R	Afl	R
Pa	m ³ /h	%	m ³ /h	%
0	331	1,00	1230	0,77
10	266	0,84	150	0,54
20	211	0,69	64	0,28
30	160	0,55	-	-
40	110	0,40	-	-
50	58	0,25	-	-

Yardy-I 30-34

ΔP_u	Spd max 10 Vdc		Spd med 6 Vdc	
	Afl	R	Afl	R
Pa	m ³ /h	%	m ³ /h	%
0	523	1,00	400	0,78
10	431	0,86	264	0,55
20	344	0,71	142	0,32
30	256	0,55	-	-
40	166	0,38	-	-
50	71	0,20	-	-

Yardy-I 45-48

ΔP_u	Spd max 10 Vdc		Spd med	
	Afl	R	Afl	R
Pa	m ³ /h	%	m ³ /h	%
0	645	1,00	450	0,77
10	541	0,87	315	0,57
20	437	0,74	181	0,36
30	333	0,58	63	0,15
40	243	0,44	-	-
50	141	0,28	-	-
60	55	0,13	-	-

Yardy-I 60-74

ΔP_u	Spd max 10 Vdc		Spd med 6 Vdc	
	Afl	R	Afl	R
Pa	m ³ /h	%	m ³ /h	%
0	1235	1,00	781	0,73
10	1064	0,89	314	0,32
20	944	0,81	179	0,22
30	810	0,72	-	-
40	664	0,60	-	-
50	508	0,48	-	-
60	346	0,34	-	-
70	188	0,22	-	-

Yardy-I 80

ΔP_u	Spd max 10 Vdc		Spd med 6 Vdc	
	Afl	R	Afl	R
Pa	m ³ /h	%	m ³ /h	%
0	1503	1,00	965	0,74
10	1344	0,92	826	0,65
20	1277	0,89	680	0,55
30	1211	0,85	509	0,43
40	1146	0,82	291	0,26
50	1082	0,78	-	-
60	1018	0,75	-	-
70	954	0,71	-	-
80	889	0,67	-	-

Yardy-I 88

ΔP_u	Spd max 10 Vdc		Spd med 6 Vdc	
	Afl	R	Afl	R
Pa	m ³ /h	%	m ³ /h	%
0	1457	1,00	965	0,69
10	1380	0,92	826	0,61
20	1300	0,88	680	0,52
30	1207	0,83	509	0,41
40	1109	0,77	291	0,26
50	1010	0,72	-	-
60	890	0,65	-	-
70	759	0,57	-	-
80	600	0,47	-	-

Spd Fan speed

ΔP_u Available head pressure

Afl Air flow rate

R Capacity correction factor with reference to the nominal cooling capacity (total heat) at maximum speed

Available head pressure and capacity correction factors

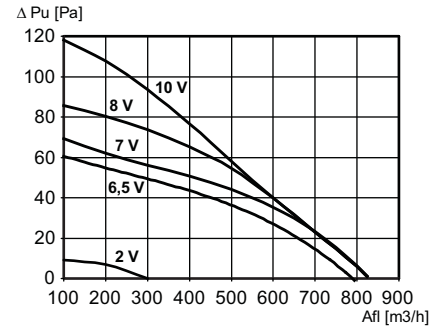
YardyID

YardyID2 40 S - 48 S

ΔPu	Spd max 8 Vdc		Spd med 6,5 Vdc	
	Afl	R	Afl	R
Pa	m³/h	%	m³/h	%
10	785	1,90	727	1,79
20	734	1,80	653	1,64
30	677	1,70	562	1,47
40	613	1,57	446	1,22
50	539	1,43	291	0,85
60	453	1,24	110	0,37
70	347	0,99	-	-
80	206	0,64	-	-
90	-	-	-	-
100	-	-	-	-

YardyID2 40 H - 40 S

Spd max 10 Vdc		Spd med 7 Vdc	
Afl	R	Afl	R
m³/h	%	m³/h	%
768	1,46	789	1,49
706	1,37	729	1,41
649	1,29	655	1,30
595	1,20	557	1,15
541	1,12	414	0,90
489	1,03	232	0,56
435	0,94	-	-
380	0,84	-	-
322	0,72	-	-
257	0,60	-	-

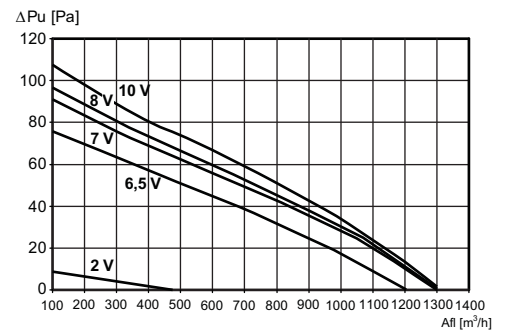


YardyID2 60 S - 74 S

ΔPu	Spd max 8 Vdc		Spd med 6,5 Vdc	
	Afl	R	Afl	R
Pa	m³/h	%	m³/h	%
10	1216	1,87	1064	1,69
20	1114	1,75	944	1,54
30	1001	1,61	811	1,36
40	876	1,45	664	1,14
50	738	1,25	508	0,91
60	592	1,02	346	0,64
70	445	0,82	188	0,41
80	305	0,56	-	-
90	177	0,39	-	-
100	-	-	-	-

YardyID2 60 H - 74 H

Spd max 10 Vdc		Spd med 7 Vdc	
Afl	R	Afl	R
m³/h	%	m³/h	%
1230	1,51	1178	1,46
1141	1,42	1074	1,36
1042	1,33	958	1,24
933	1,22	827	1,10
814	1,09	684	0,93
686	0,94	532	0,75
553	0,78	382	0,57
422	0,62	240	0,39
296	0,44	112	0,22
181	0,32	-	-

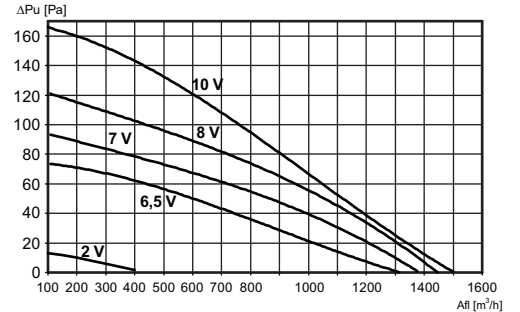


YardyID2 80 S

ΔPu	Spd max 8 Vdc		Spd med 6,5 Vdc	
	Afl	R	Afl	R
Pa	m³/h	%	m³/h	%
10	1380	1,58	1196	1,43
20	1308	1,52	1039	1,28
30	1231	1,45	895	1,14
40	1147	1,38	753	0,99
50	1056	1,29	606	0,81
60	956	1,20	442	0,63
70	845	1,08	227	0,51
80	723	0,95	-	-
90	587	0,79	-	-
100	439	0,62	-	-

YardyID2 80 H

Spd max 10 Vdc		Spd med 7 Vdc	
Afl	R	Afl	R
m³/h	%	m³/h	%
1420	1,29	1298	1,23
1340	1,24	1207	1,17
1264	1,19	1106	1,09
1191	1,13	993	1,00
1119	1,08	866	0,90
1048	1,03	720	0,77
977	0,97	555	0,61
906	0,92	370	0,43
834	0,86	175	0,24
761	0,79	-	-

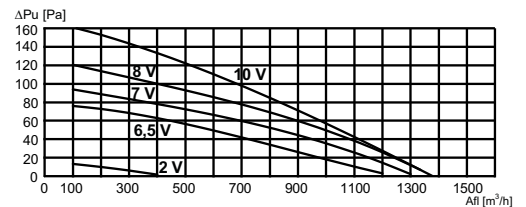


YardyID2 88 S

ΔPu	Spd max 8 Vdc		Spd med 6,5 Vdc	
	Afl	R	Afl	R
Pa	m³/h	%	m³/h	%
0	1379	1,45	1317	1,42
10	1315	1,40	1238	1,36
20	1249	1,35	1152	1,29
30	1183	1,30	1057	1,21
40	1117	1,24	951	1,12
50	1048	1,19	832	1,00
60	979	1,13	696	0,87
70	908	1,06	541	0,72
80	836	0,99	366	0,53
90	761	0,92	177	0,29
100	684	0,85	-	-

YardyID2 88 H

Spd max 10 Vdc		Spd med 7 Vdc	
Afl	R	Afl	R
m³/h	%	m³/h	%
1379	1,91	1244	1,77
1313	1,85	1105	1,63
1243	1,77	976	1,48
1167	1,70	851	1,32
1086	1,61	725	1,17
996	1,51	593	1,00
898	1,38	447	0,81
790	1,25	267	0,53
671	1,10	-	-
541	0,93	-	-
401	0,74	-	-



Spd Fan speed

ΔPu Available head pressure

Afl Air flow rate

R Capacity correction factor with reference to the nominal cooling capacity (total heat)

ΔPu Available head pressure (Pa)

Afl Air flow rate (m³/h)

Plenum and fittings pressure drops

Yardy EV3 IVP - IVF - IXP

Spd	ΔP_w	KGF accessory (inlet grille with filter)											KG accessory (outlet grille)									
		Model											Model									
		15	20	24	25	30-34	40	45-48	55	65	80	15	20	24	25	30-34	40	45-48	55	65	80	
min	Pa	2,6	3,9	5,1	5,1	8,7	5,8	7,1	11,4	15,0	25,8	1,9	2,9	3,7	3,7	6,3	3,9	4,7	8,4	11,0	19,0	
med	Pa	7,0	7,0	9,3	9,2	15,1	8,5	8,5	16,8	23,5	35,8	5,1	5,1	6,7	6,7	11,0	5,7	5,7	12,4	17,3	26,4	
max	Pa	11,6	13,6	18,8	18,7	23,9	17,4	17,6	30,3	39,8	57,2	8,4	9,9	13,7	13,7	17,5	11,7	11,8	22,3	29,4	42,2	

Spd Fan speed

ΔP_w Pressure drops

Spd	ΔP_w	Accessory KR9A (90° intake fitting)											Accessory KR9m (90° flow fitting)									
		Model											Model									
		15	20	24	25	30-34	40	45-48	55	65	80	15	20	24	25	30-34	40	45-48	55	65	80	
min	Pa	0,2	0,3	0,4	0,4	0,6	0,5	0,7	0,9	1,1	2,0	0,2	0,3	0,3	0,4	0,6	0,5	0,6	0,8	1,1	1,9	
med	Pa	0,5	0,5	0,6	0,7	1,1	0,8	0,8	1,3	1,8	2,7	0,4	0,5	0,6	0,6	1,0	0,8	0,8	1,2	1,7	2,6	
max	Pa	0,8	0,9	1,3	1,4	1,7	1,6	1,6	2,3	3,0	4,4	0,7	0,9	1,2	1,3	1,7	1,5	1,6	2,2	2,9	4,2	

Spd Fan speed

ΔP_w Pressure drops

For accessories KPM/KPAF, KRTM/KRDM the pressure drops are negligible.

YardyDUCT2

Spd	ΔP_u	KFC accessory (frame with G2 filter)							
		Model							
		40-48		50		60-74		80-88	
I	Pa	0,2		0,3		1,1		3,2	
II	Pa	0,3		0,5		1,3		3,5	
III	Pa	0,3		0,7		1,7		4,0	
IV	Pa	0,4		1,0		2,0		4,6	
V	Pa	0,6		1,1		2,3		5,0	
VI	Pa	0,8		1,4		2,6		5,7	

Spd Fan speed

ΔP_w Pressure drops (additional to the nominal conditions)

The increase in head pressure with no G1 filter is negligible

Spd	ΔP_w	KGF accessory (inlet grille with filter)				KG accessory (outlet grille)			
		Model				Model			
		40-48	50	60-74	80-88	40-48	50	60-74	80-88
I	Pa	0,8	1,3	4,7	13,6	0,6	0,9	3,1	9,0
II	Pa	1,1	2,1	5,8	14,8	0,8	1,4	3,8	9,8
III	Pa	1,3	2,9	7,4	17,3	1,0	1,9	4,9	11,4
IV	Pa	1,6	4,2	8,4	19,5	1,2	2,8	5,6	12,9
V	Pa	2,5	4,9	10,0	21,4	1,9	3,2	6,6	14,1
VI	Pa	3,0	5,9	11,2	24,1	2,3	3,9	7,4	15,9

Spd Fan speed

ΔP_w Pressure drops (additional to the nominal conditions)

The pressure drops are negligible for the KR9A/KR9M accessories

Yardy-I IVP - IVF - IXP

Spd	ΔP_u	KFC accessory (frame with G2 filter)				
		Model				
		20-24	30-34	45-48	60-74	80-88
min (2)	Pa	0,2	0,5	0,4	0,4	0,6
med (6)	Pa	1,2	2,1	1,7	2,5	3,2
max (10)	Pa	2,0	2,9	2,8	3,8	3,8

Spd Fan speed

ΔP_u Pressure drops

The increase in head pressure with no G1 filter is negligible

Spd	ΔP_u	KGF accessory (inlet grille with filter)					KG accessory (outlet grille)				
		Model					Model				
		20-24	30-34	45-48	60-74	80-88	20-24	30-34	45-48	60-74	80-88
min (2)	Pa	1,7	4,0	3,7	3,6	4,2	1,3	2,6	2,5	2,6	2,6
med (6)	Pa	8,9	12,9	10,4	16,1	23,7	6,5	8,2	6,1	10,8	17,2
max (10)	Pa	18,1	20,7	19,1	39,0	59,8	13,2	14,7	13,4	29,3	43,6

Spd Fan speed

ΔP_u Pressure drops

Yardy-ID2

Spd	ΔP_u	KFC accessory (frame with G2 filter)		
		Model		
		40-48	60-74	80-88
S-Min	Pa	0,2	0,3	0,5
S-Med	Pa	0,9	1,4	1,7
S-Max	Pa	1,2	1,6	2,4
H-Min	Pa	0,2	0,3	0,5
H-Med	Pa	1,5	2,1	2,8
H-Max	Pa	1,8	2,3	3,3

Spd Fan speed

ΔP_u Pressure drops (additional to the nominal conditions)

The increase in head pressure with no G1 filter is negligible

Spd	ΔP_u	KGF accessory (inlet grille with filter)			KG accessory (outlet grille)		
		Model			Model		
		40-48	60-74	80-88	40-48	60-74	80-88
S-Min	Pa	2,9	3,1	4,0	2,7	2,6	2,6
S-Med	Pa	5,7	8,2	10,5	3,0	4,5	6,3
S-Max	Pa	7,2	9,7	15,6	3,9	5,6	10,4
H-Min	Pa	2,9	3,1	4,0	2,7	2,6	2,6
H-Med	Pa	9,0	13,0	19,3	5,1	8,3	13,6
H-Max	Pa	11,1	14,5	25,9	6,7	9,5	19,0

Spd Fan speed

ΔP_u Pressure drops (additional to the nominal conditions)

The pressure drops are negligible for the KR9A/KR9M accessories

Sound power and pressure

Yardy-EV3

Model	Speed	Sound power level in dB for octave bands							Overall sound power level	Sound pressure level (*)
		125 Hz	250 Hz	500 Hz	1000 Hz	2000 Hz	4000 Hz	8000 Hz	dB(A)	dB(A)
15	Minimum (6)	26,4	26,3	23,8	22	10,1	5,8	4,9	25,6	17,6
	Medium (4)	32,8	38,2	34,1	29,1	22,6	13,8	5,9	35,2	27,2
	Maximum (2)	38,0	44,5	41,8	36,9	31,8	24,2	14,8	42,7	34,7
20	Minimum (6)	27,1	32,5	27,5	19,8	13,2	8,9	4,8	28,2	20,2
	Medium (4)	32,5	38,4	35,3	26,9	21,5	14,5	6,4	35,2	27,2
	Maximum (2)	39,2	45,5	43,9	36,9	32,8	26	17,2	43,9	35,9
24	Minimum (5)	29,8	35,5	31,3	22,7	16,9	11,1	5,1	31,5	23,5
	Medium (3)	35,8	41,9	39,5	31,8	26,9	20,2	24,7	39,6	31,6
	Maximum (1)	42,9	48,6	47,9	41,3	37,9	32	23,8	48	40
25	Minimum (5)	25,8	33,1	28,4	21,8	20,6	15,9	16,1	30	22
	Medium (3)	34,1	39,9	37,6	31,5	25,8	20,7	18,7	38	30
	Maximum (1)	43,1	48,6	46,9	43,1	37,5	29,7	21,8	48	40
30-34	Minimum (5)	33	38,4	35,3	29	21,1	10,7	6	35,6	27,6
	Medium (3)	38,6	43,7	42,4	37,7	31,5	22,3	11,9	42,9	34,9
	Maximum (1)	44,8	49,1	48,8	44,9	40,2	32,9	23,1	49,8	41,8
40	Minimum (5)	34,7	40,3	37,8	31,3	26,5	18	13,9	38,1	30,1
	Medium (3)	39,4	44,4	42,3	36,5	31,5	23,3	16,2	42,7	34,7
	Maximum (1)	47,2	50,7	50,9	45,8	42,2	35,9	27,6	51,5	43,5
45-48	Minimum (4)	37,9	43	40,1	34,2	30,2	23,7	20,7	40,9	32,9
	Medium (3)	39,7	44,7	42,2	37	32,5	25,7	21,6	43	35
	Maximum (1)	47,6	51,6	50,7	46,2	42,9	36,3	28,5	51,8	43,8
55-58	Minimum (4)	43,3	47,8	47	40,4	36,6	26,4	24,7	47	39
	Medium (3)	47,4	51,3	50,7	45,5	43,1	32,9	26,7	51,5	43,5
	Maximum (1)	56	59,4	59,1	55,6	53,9	44,3	34,8	61	53
60-74	Minimum (5)	47,2	50,2	49	43,7	40,2	33,3	25,7	49,7	41,7
	Medium (3)	52,7	55,2	54,4	49,5	48,1	40,8	31,7	55,7	47,7
	Maximum (1)	59,3	61,2	60	56,4	55,5	49,6	41,7	62,3	54,3
80-88	Minimum (6)	54	56,5	56,2	51,9	47,8	41,1	32,6	57,2	49,2
	Medium (4)	57,2	59,8	59,4	55,8	52,2	46,5	38,7	60,9	52,9
	Maximum (1)	61,8	64,8	63,6	60,8	57,8	53,1	46,5	65,8	57,8

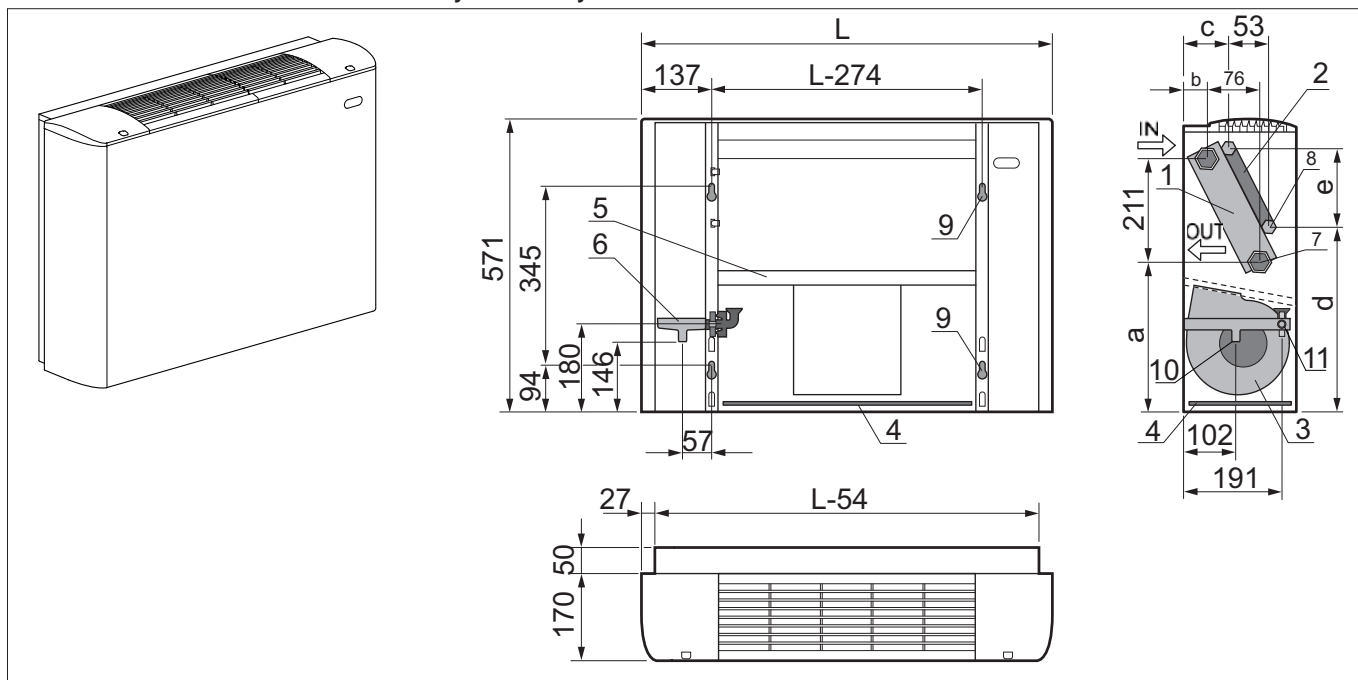
Yardy-I EV3

Model	Speed	Sound power level in dB for octave bands							Overall sound power level	Sound pressure level (*)
		125 Hz	250 Hz	500 Hz	1000 Hz	2000 Hz	4000 Hz	8000 Hz	dB(A)	dB(A)
20-24	Minimum	21,7	22,5	18,0	8,7	14,4	13,9	18,7	48	40
	Medium	38,1	43,5	39,4	33,3	27,3	19,1	20,3	40	32
	Maximum	45,1	50,0	46,3	42,7	38,0	30,8	24,0	23	15
30-34	Minimum	22,9	25,6	19,0	12,5	13,3	12,7	19,1	50	42
	Medium	39,9	44,5	41,9	38,4	29,8	20,1	19,8	43	35
	Maximum	46,3	49,9	48,1	46,1	39,7	31,8	23,7	24	16
45-48	Minimum	28,8	27,1	19,4	10,5	19,3	13,1	18,1	51	43
	Medium	41,2	44,5	41,2	36,1	29,5	20,2	19,1	42	34
	Maximum	48,6	52,0	49,9	46,4	41,3	34,1	25,8	25	17
60-74	Minimum	34,8	24,0	17,2	24,4	11,3	11,6	18,6	62	54
	Medium	48,1	51,0	48,9	45,4	40,0	31,1	22,4	50	42
	Maximum	59,1	61,4	58,6	56,7	54,4	47,9	40,1	27	19
80-88	Minimum	27,7	31,7	26,7	29,0	19,4	18,0	19,8	66	58
	Medium	54,0	56,5	54,5	51,8	46,2	38,8	30,3	56	48
	Maximum	64,0	66,2	63,3	61,1	57,8	52,6	46,9	32	24

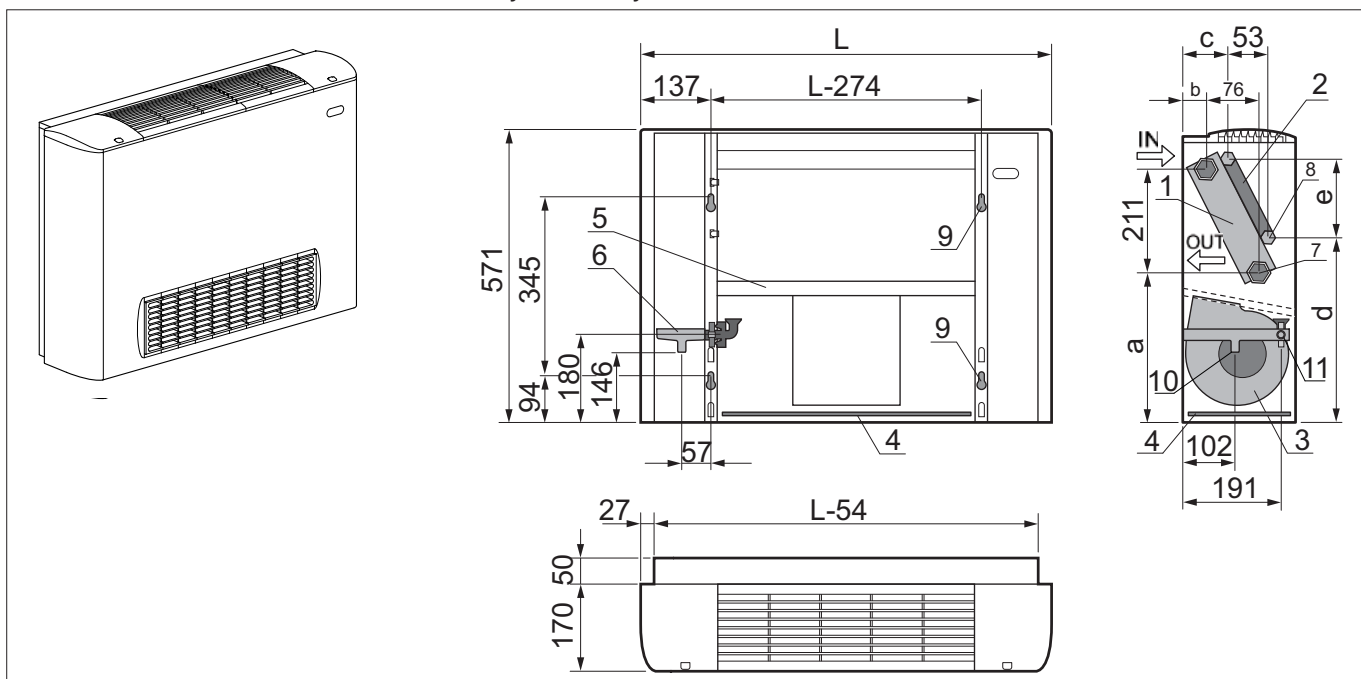
(*) Sound pressure level in dB(A) referring to a 1 m distance from the point of air outlet (with directionality factor Q=2)

Dimensions and clearances

Vertical installation with cabinet
Yardy EV3 - Yardy-I EV3 version MVP - MXP MVT - MXT



Yardy EV3 - Yardy-I EV3 version MVT-MXT



Yardy EV3	15	20-24	25-30-34	40-45-48	55-58-60-74-80-88	
Yardy-I EV3		20-24	30-34	45-48	60-74-80-88	
YardyDUCT2				40-48	50-60-74-80-88	
Yardy-ID2				40-48	60-74-80-88	
L	mm	700	800	1000	1200	1500

- 1 Standard coil
- 2 Additional coil (accessory)
- 3 Fan
- 4 Filter
- 5 Main condensation drain pan
- 6 Auxiliary condensation drain pan (accessory)

- 7 Main battery hydraulic connections
- 8 Additional battery hydraulic connections
- 9 Fixing slots
- 10 Additional condensate drain pan
- 11 Main condensate drain pan

		a	b	c	d	e
15-20-25-30-40	mm	280	51	105	354	148
45-55-58-60-80	mm	280	51	105	354	148
24-34	mm	290	59	111	347	148
48-74-88	mm	290	59	111	347	148

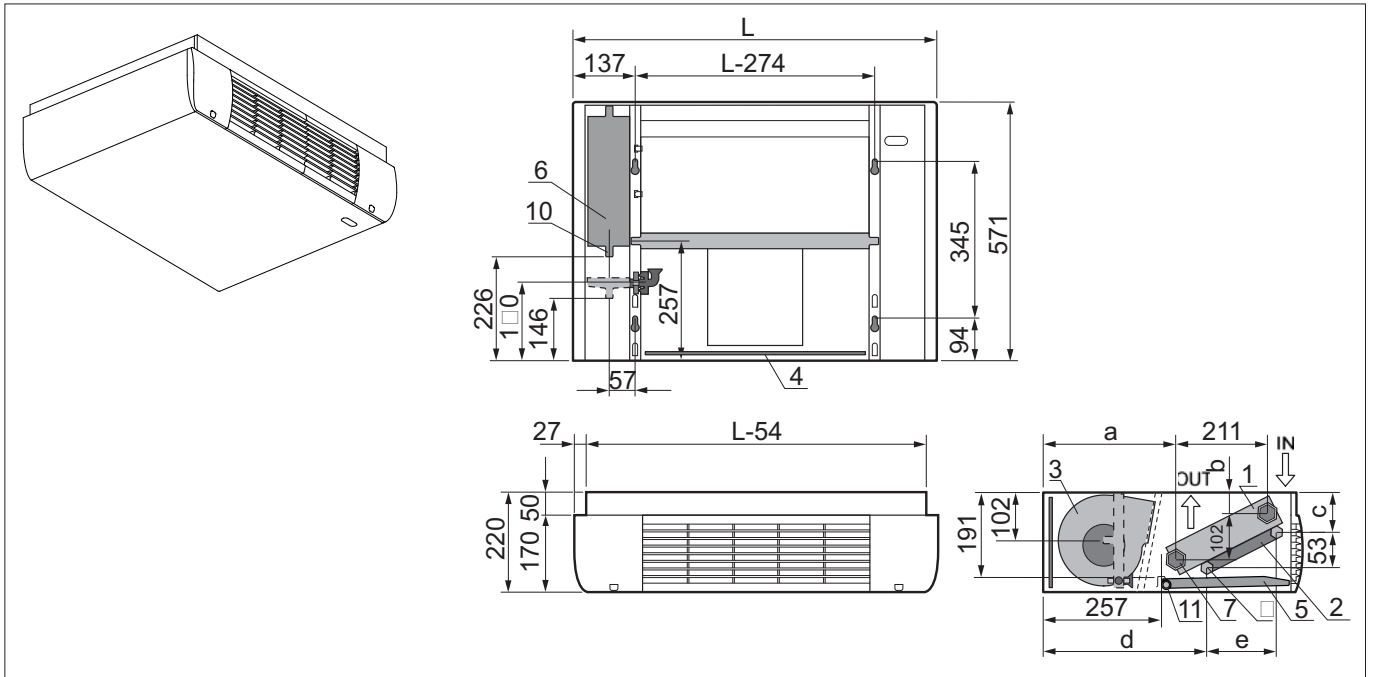
Connections

3/4" gas female main battery
1/2" gas female additional battery

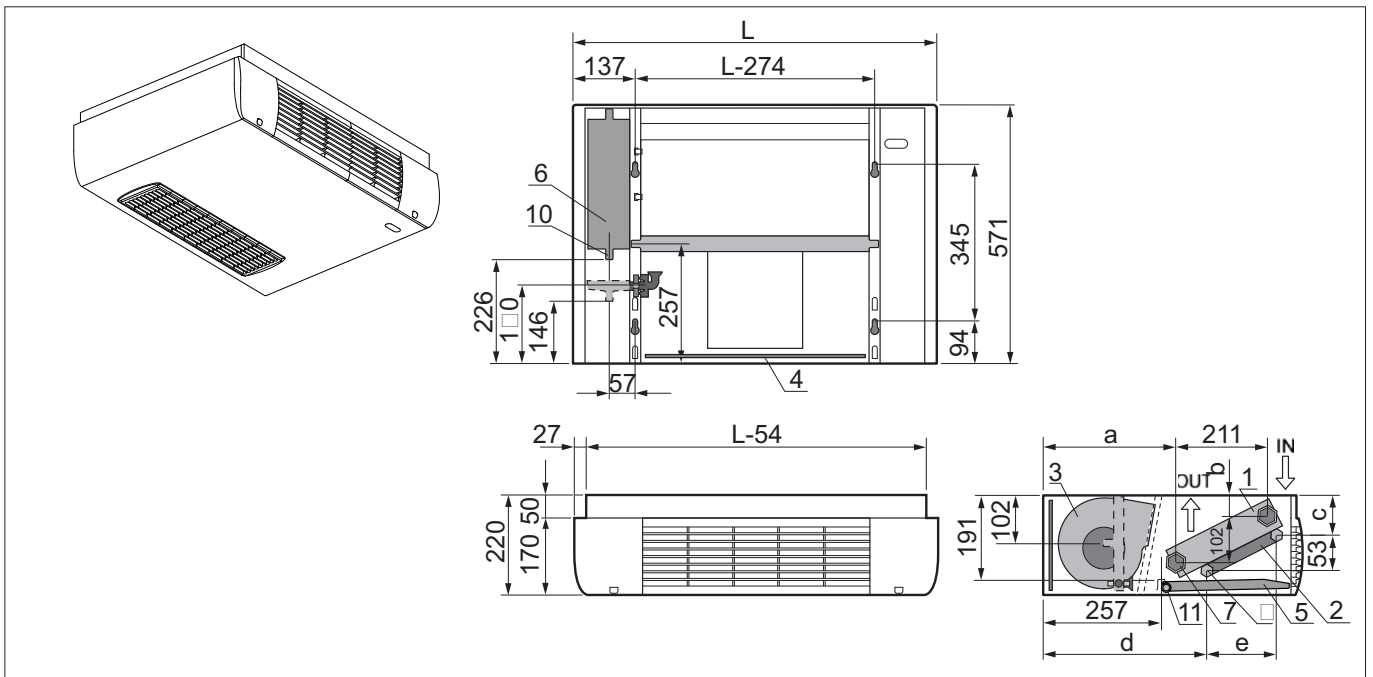
External condensate drain diameter 16mm

Horizontal installation with cabinet

Yardy EV3 - Yardy-I EV3 version MXP



Yardy EV3 - Yardy-I EV3 version MXT



Yardy EV3	15	20-24	25-30-34	40-45-48	55-58-60-74-80-88	
Yardy-I EV3		20-24	30-34	45-48	60-74-80-88	
YardyDUCT2				40-48	50-60-74-80-88	
Yardy-ID2				40-48	60-74-80-88	
L	mm	700	800	1000	1200	1500

- 1 Standard coil
- 2 Additional coil (accessory)
- 3 Fan
- 4 Filter
- 5 Main condensation drain pan
- 6 Auxiliary condensation drain pan (accessory)

- 7 Main battery hydraulic connections
- 8 Additional battery hydraulic connections
- 9 Fixing slots
- 10 Additional condensate drain pan
- 11 Main condensate drain pan

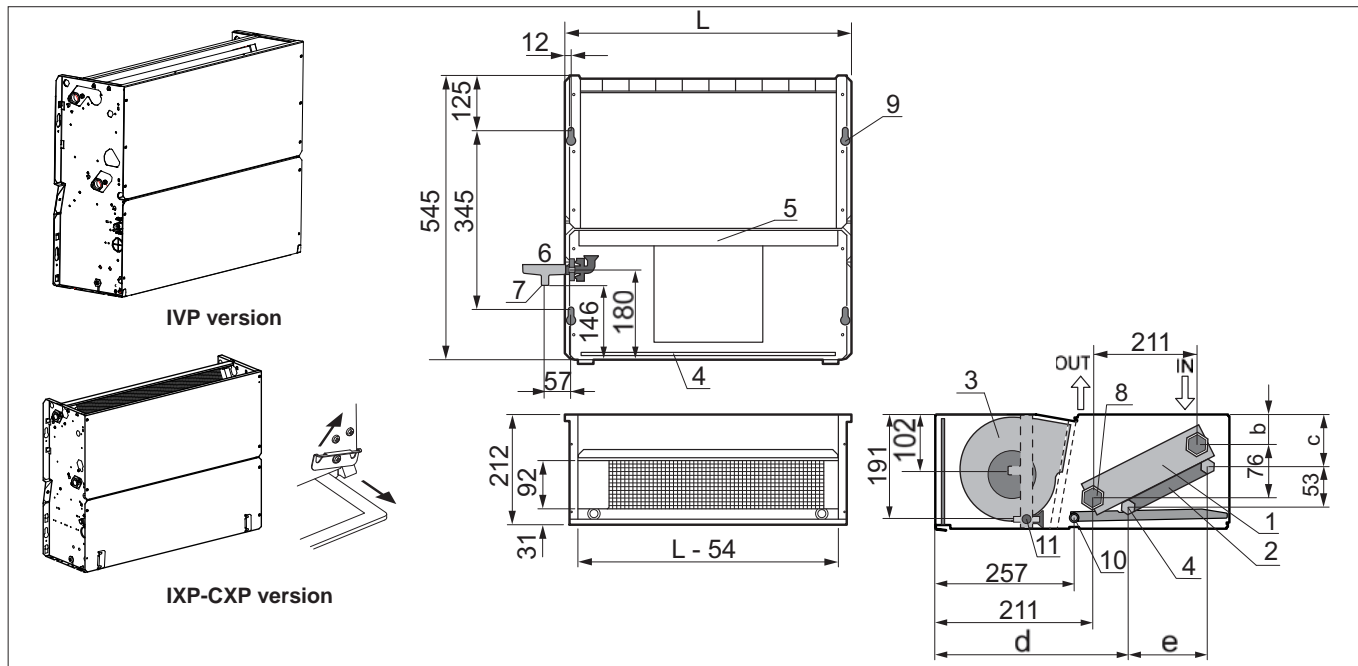
Connections

3/4" gas female main battery
 1/2" gas female additional battery

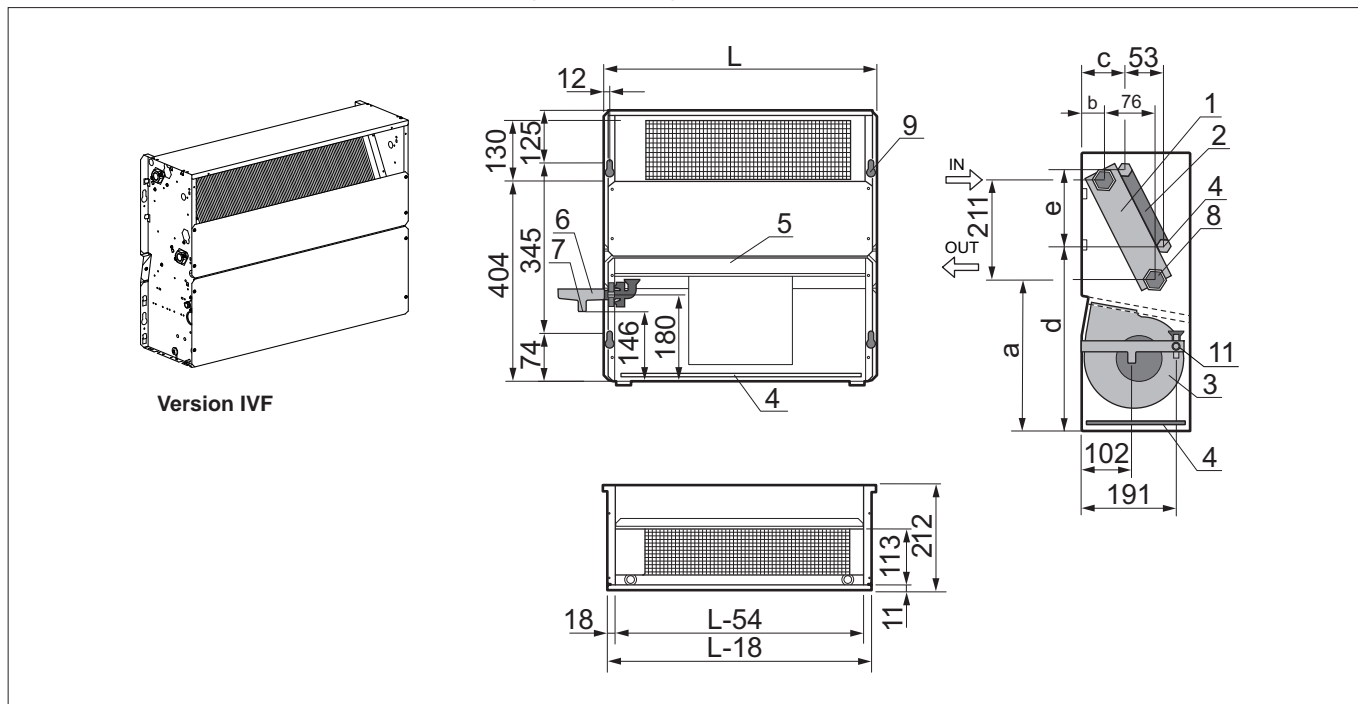
External condensate drain diameter 16mm

Vertical recessed or ductable installation

Yardy EV3 - Yardy-I EV3 IVP-IXP version YardyDUCT2, Yardy-ID2 CXP version



Yardy EV3 - Yardy-I EV3 IVF version



Yardy EV3	15	20-24	25-30-34	40-45-48	55-58-60-74-80-88	YardyDUCT2	40-48	50-58-60-74-80-88	
Yardy-I EV3		20-24	30-34	45-48	60-74-80-88	Yardy-ID2	40-48	60-74-80-88	
L	mm	450	550	750	950	L	mm	950	1250

		a	b	c	d	e
15-20-25-30-40	mm	280	51	105	354	148
45-55-58-60-80	mm	280	51	105	354	148
24-34	mm	290	59	111	347	148
48-74-88	mm	290	59	111	347	148

Connections

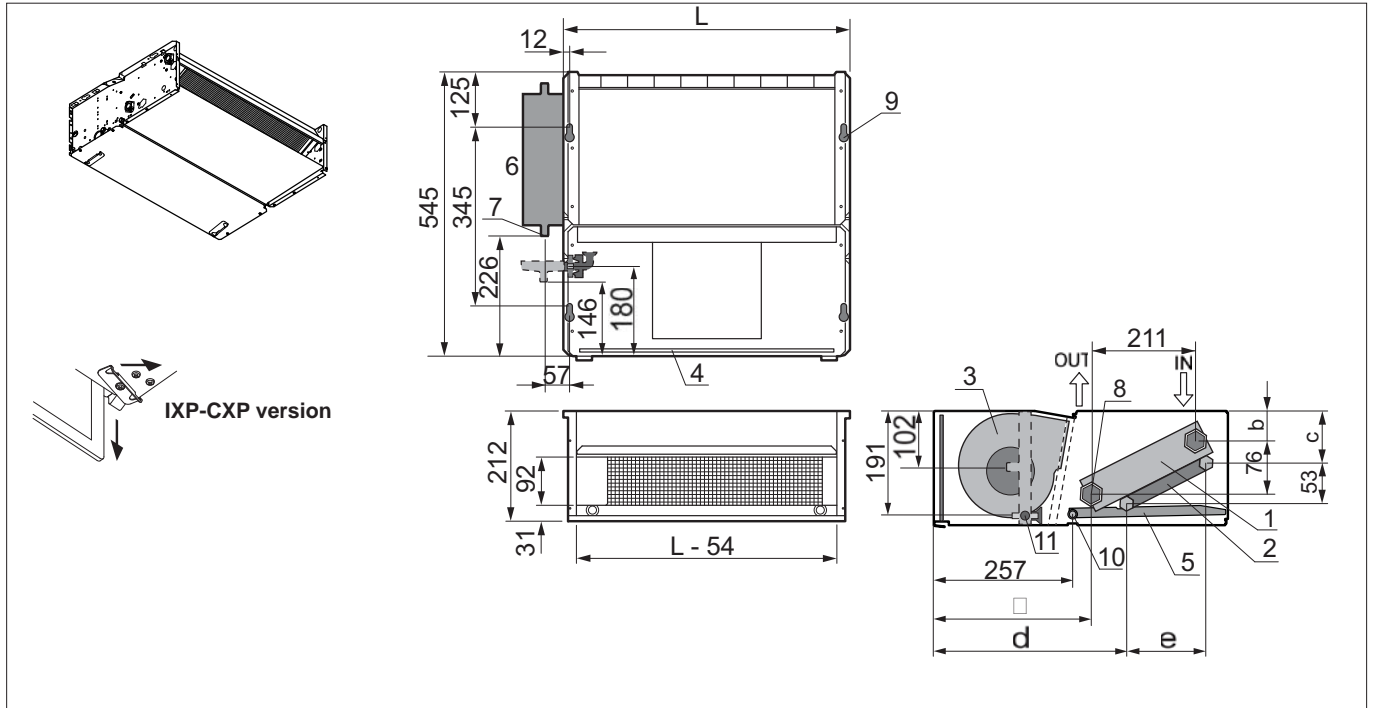
- 3/4" gas female main battery
- 1/2" gas female additional battery

External condensate drain diameter 16mm

- | | |
|--|--|
| 1 Standard coil | 7 Condensate drain connection |
| 2 Additional coil (accessory) | 8 Water connections |
| 3 Fan | 9 Fixing slots |
| 4 Filter | 10 Main condensate drain pan for horizontal installation |
| 5 Main condensation drain pan | 11 Main condensate drain pan for vertical installation |
| 6 Auxiliary condensation drain pan (accessory) | |

Horizontal recessed or ductable installation

Yardy EV3 - Yardy-I EV3 versione IXP YardyDUCT2, Yardy-ID2 versione CXP



Yardy EV3	15	20-24	25-30-34	40-45-48	55-58-60-74-80-88	YardyDUCT2	40-48	50-58-60-74-80-88		
Yardy-I EV3		20-24	30-34	45-48	60-74-80-88	Yardy-ID2	40-48	60-74-80-88		
L	mm	450	550	750	950	1250	L	mm	950	1250

		a	b	c	d	e
15-20-25-30-40	mm	280	51	105	354	148
45-55-58-60-80	mm	280	51	105	354	148
24-34	mm	290	59	111	347	148
48-74-88	mm	290	59	111	347	148

Connections

- 3/4" gas female main battery
- 1/2" gas female additional battery

External condensate drain diameter 16mm

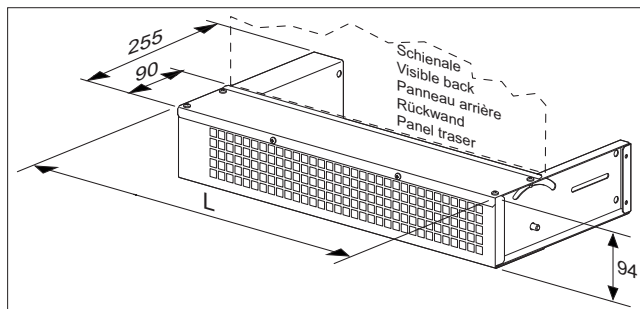
- | | |
|--|--|
| <ul style="list-style-type: none"> 1 Standard coil 2 Additional coil (accessory) 3 Fan 4 Filter 5 Main condensation drain pan 6 Auxiliary condensation drain pan (accessory) | <ul style="list-style-type: none"> 7 Condensate drain connection 8 Water connections 9 Fixing slots 10 Main condensate drain pan for horizontal installation 11 Main condensate drain pan for vertical installation |
|--|--|

Dimensions and volume of accessories

Damper

- KS** Manually operated damper for outdoor air intake for the MVP version to be used with the KPC support feet accessory.

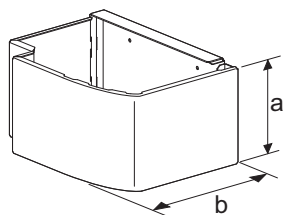
- KSM** Motorised damper for outdoor air intake (for the MVP versions to be used with KPC support feet accessory and with IVP, IVF, IXP and DUCT versions), with a limit switch contact to indicate the completely open state. Power supply 230-1-50 V-ph-Hz. The installer is responsible for the switch control.



Yardy EV3	15	20-24	25-30-34	40-45-48	55-58-60-74-80-88	
Yardy-I EV3		20-24	30-34	45-48	60-74-80-88	
YardyDUCT2				40-48	50-60-74-80-88	
Yardy-ID2				40-48	60-74-80-88	
L	mm	400	500	700	900	1200

Support feet

KPC for Yardy-EV3 Yardy-I EV3 MVP version only



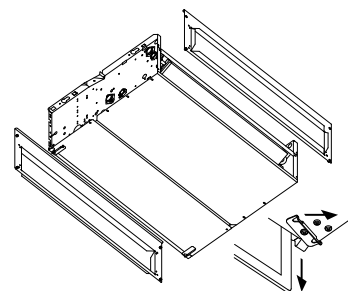
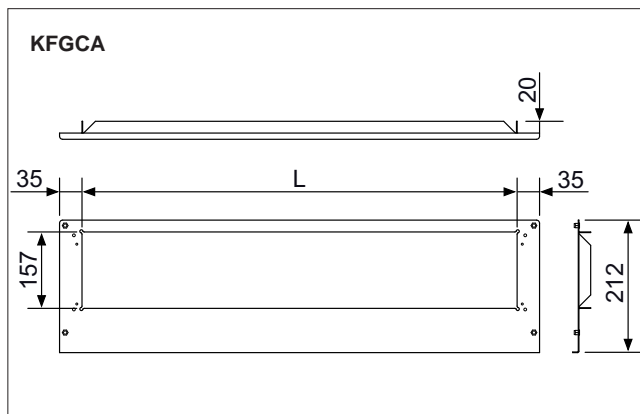
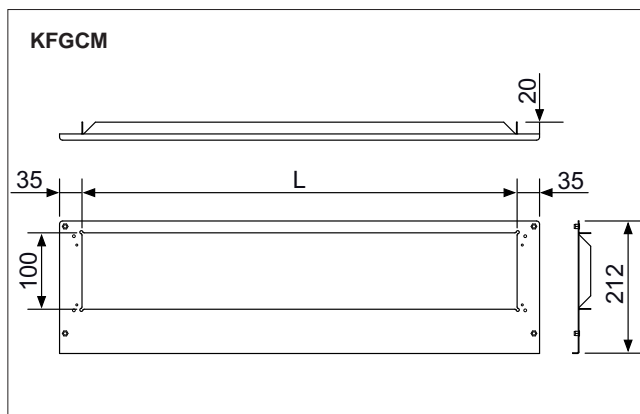
- a 100 mm
- b 150 mm

Plenum and fitting for built-in and ducted versions

Only for IVP - IVF - IXP and YardyDUCT2, Yardy-ID2 versions

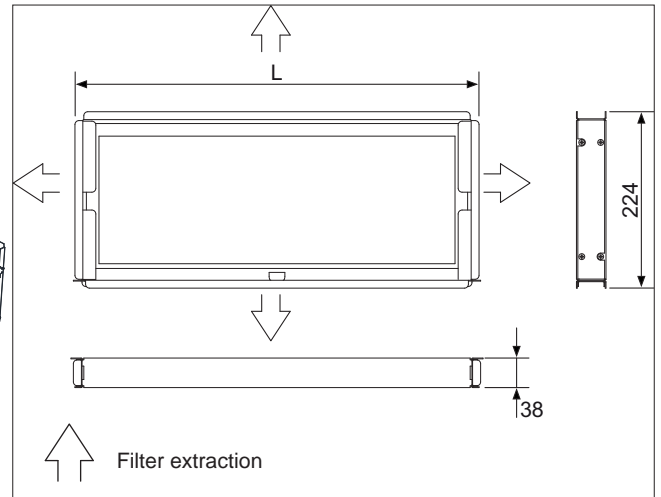
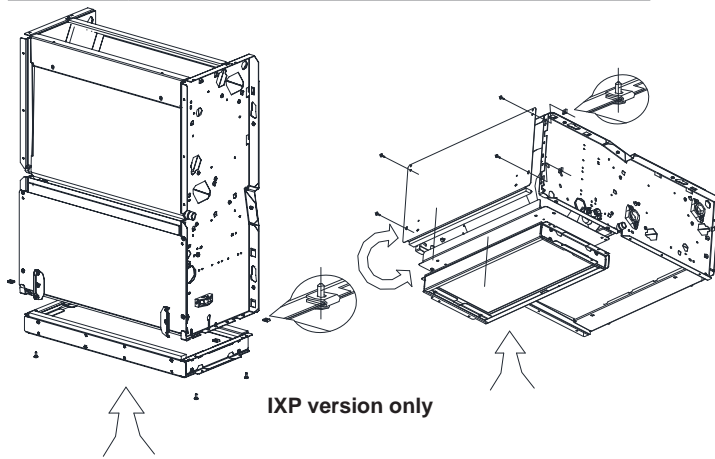
- KFGCM** Flanged frame for connection to the flow duct for versions IXP, IVP, DUCT

- KFGCA** Flanged frame for connection to the intake duct for IXP, IVP, DUCT versions



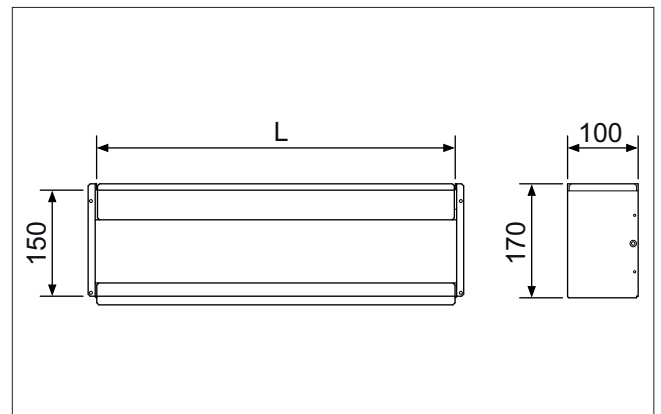
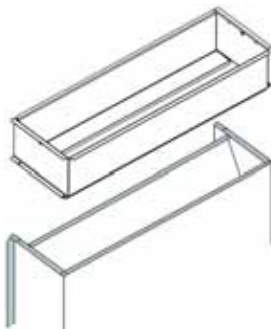
Yardy EV3	15	20-24	25-30-34	40-45-48	55-58-60-74-80-88	
Yardy-I EV3		20-24	30-34	45-48	60-74-80-88	
YardyDUCT2				40-48	50-60-74-80-88	
Yardy-ID2				40-48	60-74-80-88	
L	mm	400	500	700	900	1200

KFC Frame with filter (G2) that can be extracted in any direction.



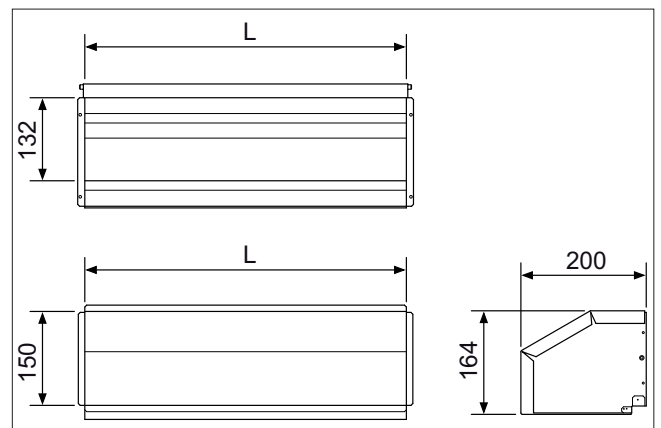
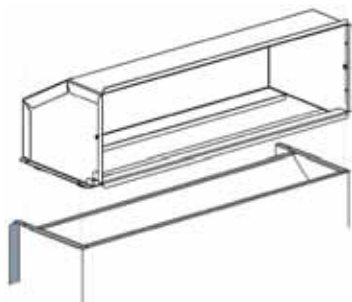
Yardy EV3	15	20-24	25-30-34	40-45-48	55-58-60-74-80-88	
Yardy-I EV3		20-24	30-34	45-48	60-74-80-88	
YardyDUCT2				40-48	50-60-74-80-88	
Yardy-ID2				40-48	60-74-80-88	
L	mm	420	520	720	920	1220

KRDM Straight fitting in flow made of galvanised sheet metal, for built-in versions IVP, IXP, CXP.



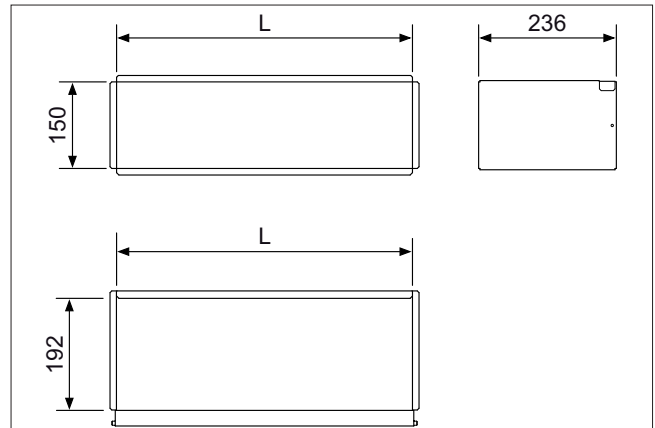
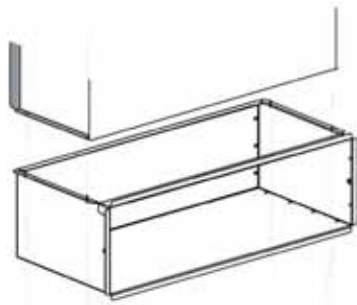
Yardy EV3	15	20-24	25-30-34	40-45-48	55-58-60-74-80-88	
Yardy-I EV3		20-24	30-34	45-48	60-74-80-88	
YardyDUCT2				40-48	50-60-74-80-88	
Yardy-ID2				40-48	60-74-80-88	
L	mm	410	510	710	910	1210

KR9M Outlet 90° connection made of galvanised sheet metal, for recessed versions IVP, IXP, CXP.



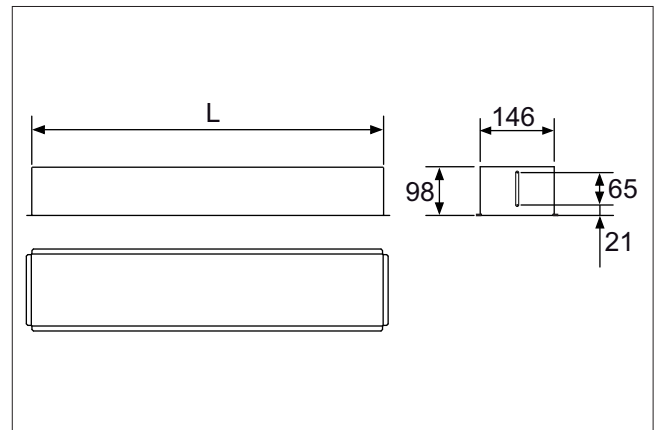
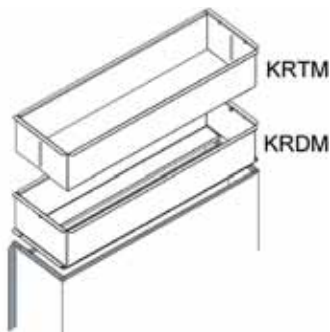
Yardy EV3	15	20-24	25-30-34	40-45-48	55-58-60-74-80-88	
Yardy-I EV3		20-24	30-34	45-48	60-74-80-88	
YardyDUCT2				40-48	50-60-74-80-88	
Yardy-ID2				40-48	60-74-80-88	
L	mm	410	510	710	910	1210

KR9A Inlet 90° connection made of galvanised sheet metal, for recessed versions IVP, IVF, IXP, CXP.



Yardy EV3	15	20-24	25-30-34	40-45-48	55-58-60-74-80-88
Yardy-I EV3		20-24	30-34	45-48	60-74-80-88
YardyDUCT2				40-48	50-60-74-80-88
Yardy-ID2				40-48	60-74-80-88
L	mm	410	510	710	910
					1210

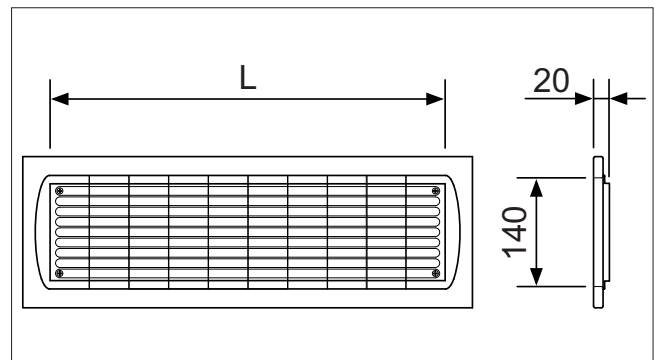
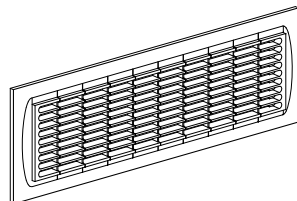
KRTM Telescopic fitting (between 21 and 86 mm) in flow/intake made of galvanised sheet metal, for connection to fittings KRDM, KR9M and KR9A only.



Yardy EV3	15	20-24	25-30-34	40-45-48	55-58-60-74-80-88
Yardy-I EV3		20-24	30-34	45-48	60-74-80-88
YardyDUCT2				40-48	50-60-74-80-88
Yardy-ID2				40-48	60-74-80-88
L	mm	405	505	705	905
					1205

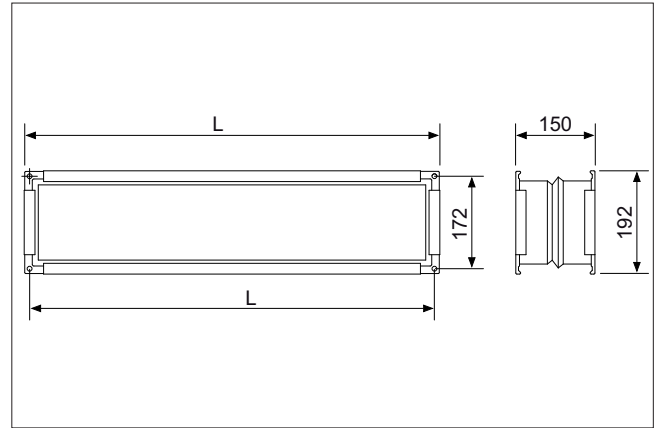
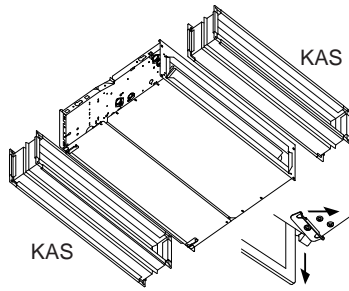
KGf Intake grid with filter for fittings KRDM, KR9M, KR9A, KRTM.

KG Flow grid with filter for fittings KRDM, KR9M, KR9A, KRTM.



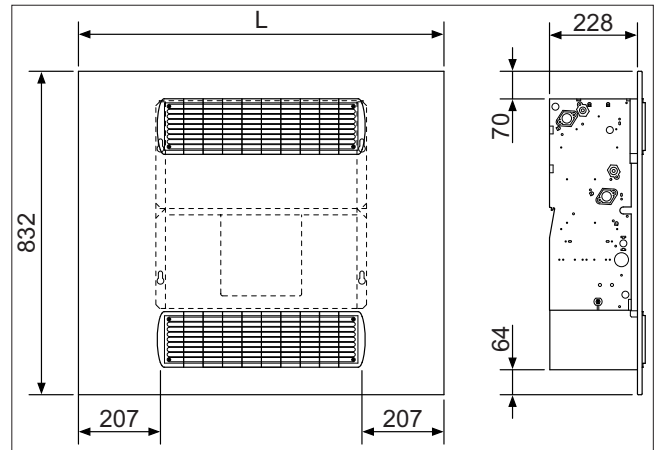
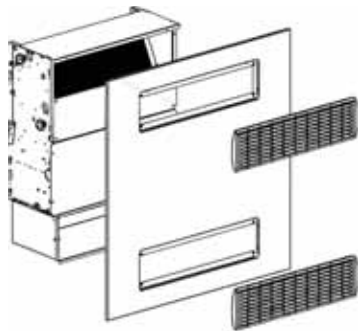
Yardy EV3	15	20-24	25-30-34	40-45-48	55-58-60-74-80-88
Yardy-I EV3		20-24	30-34	45-48	60-74-80-88
YardyDUCT2				40-48	50-60-74-80-88
Yardy-ID2				40-48	60-74-80-88
L	mm	410	510	710	910
					1210

KAS Antivibration connection for connection to the inlet or outlet duct (to be used with KFGCM - KFGCA).



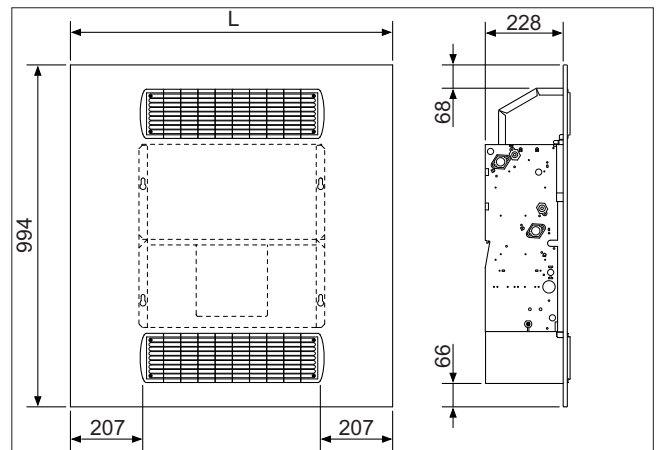
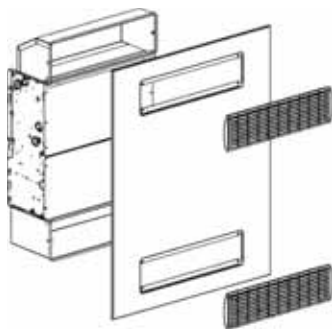
Yardy EV3	15	20-24	25-30-34	40-45-48	55-58-60-74-80-88	
Yardy-I EV3		20-24	30-34	45-48	60-74-80-88	
YardyDUCT2				40-48	50-60-74-80-88	
Yardy-ID2				40-48	60-74-80-88	
L	mm	470	570	770	970	1270

KPLV Cover panel made of painted sheet metal, complete with an inlet grille with a flow filter and grille (only for IVF with the KR9A accessory).



Yardy EV3	15	20-24	25-30-34	40-45-48	55-58-60-74-80-88	
Yardy-I EV3		20-24	30-34	45-48	60-74-80-88	
YardyDUCT2				40-48	50-60-74-80-88	
Yardy-ID2				40-48	60-74-80-88	
L	mm	840	940	1140	1340	1640

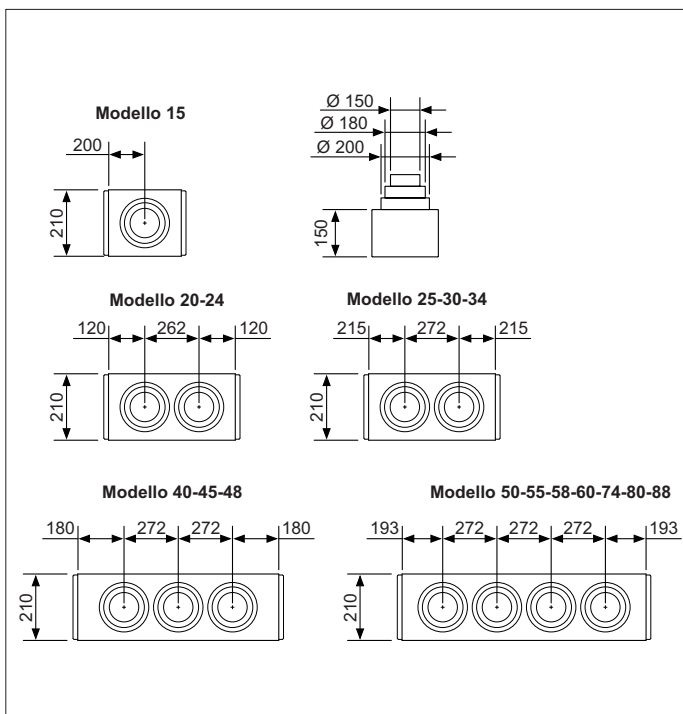
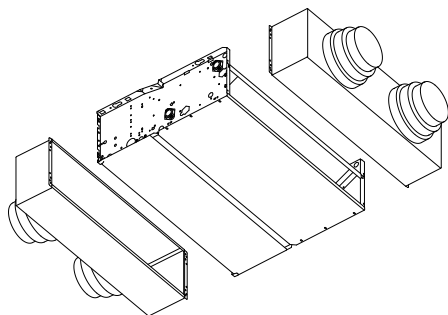
KPLO Cover panel made of painted sheet metal, complete with an inlet grille with a flow filter and grille (only for IXP with the KR9A accessory).



Yardy EV3	15	20-24	25-30-34	40-45-48	55-58-60-74-80-88	
Yardy-I EV3		20-24	30-34	45-48	60-74-80-88	
YardyDUCT2				40-48	50-60-74-80-88	
Yardy-ID2				40-48	60-74-80-88	
L	mm	840	940	1140	1340	1640

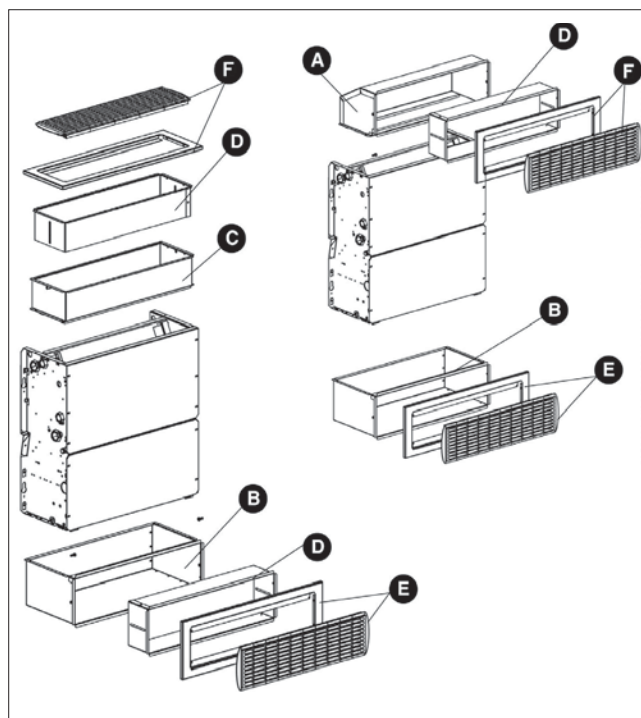
KPAF Intake plenum with circular nozzles (Ø 150-180-200 mm) for versions IVP, IXP and DUCT

KPM Flow plenum, insulated internally, with circular nozzles (Ø 150-180-200 mm) for versions IVP, IXP and DUCT



Plenum and fittings use examples

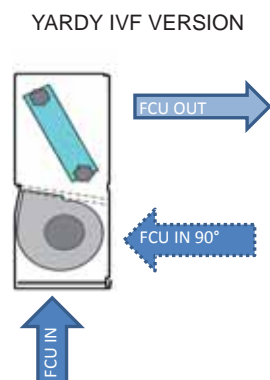
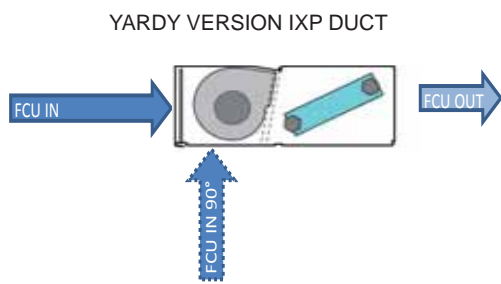
- A Outlet 90° connection KR9M
- B Inlet 90° connection KR9A
- C Outlet straight connection KRDM
- D Outlet/inlet telescopic connection KRTM
- E Inlet grille with filter KGF
- F Outlet grille KG



The routine maintenance operations of recessed and ductable versions (IVP, IVF, IXP, CXP) installed with KPLV-KPLO, KRDMKR9M- KR9A-KRTM-KGF accessories are facilitated by removing the filter supplied with the unit and using the filter in the inlet grille. If the KPAF-KPM accessory is present, access to the filter must be guaranteed for periodic cleaning.

Plenum and fittings assembly configuration table

Accessory	Description	Versions	Can be connected to:	Positioning	Assembly diagram					
KFGCM	Flanged frame in flow	IXP IVP CXP	FCU OUT; KFC;	FLOW ONLY			FCU →	KFGCM →		
KFGCA	Flanged frame in intake	IXP IVP IVF CXP	FCU IN; KFC;	INTAKE ONLY		→ KFGCA	FCU →			
KFC	Frame with G2 filter	IXP IVP IVF CXP	FCU IN	FRONT INTAKE OR LOWER INTAKE		→ KFC	FCU →			
			FCU IN 90°				KFC ↑			
KAS	Antivibration connection	IXP IVP IVF CXP	KFGCA; KFGCM	FLOW/INTAKE WITH KFGCM/ KFGCA	KAS →	KFGCA →	FCU →	KFGCM →	KAS →	
KRDM	Outlet straight connection	IXP IVP CXP	FCU OUT	FLOW ONLY			FCU →	KRDM →		
KR9M	90° fitting in flow	IXP IVP CXP	FCU OUT	FLOW ONLY			FCU →	KR9M ↓		
KR9A	Inlet 90° connection	IXP IVP IVF CXP	FCU IN	INTAKE ONLY		↑ KR9A	FCU →			
KRTM	Telescopic connection	IXP IVP IVF CXP	KR9A; KR9M; KRDM	FLOW/INTAKE WITH KR9A, KR9M, KRDM ONLY		↑ KR9A	FCU →	KRDM → KR9M ↓ KRTM →	KRTM →	KG
KGF	Inlet grille with filter	IXP IVP IVF CXP	KRTM	FLOW ONLY WITH KR9A, KR9M, KRDM, KRTM		↑ KRTM				
KG	Outlet grille	IXP IVP IVF CXP	KRTM	INTAKE ONLY WITH KR9A, KR9M, KRDM, KRTM		KGF			KG	
KPAF	Intake plenum with nozzles	IXP IVP CXP	FCU IN; KFC	INTAKE ONLY	KPAF →	KPAF →	→ KFC	FCU →	FCU →	
KPM	Flow plenum with nozzles	IXP IVP CXP	FCU OUT	FLOW ONLY			FCU →	KPM →		
KPLV	Vertical cover panel	IVF	FCU IN OUT	ONLY WITH KR9A			FCU →	KPLV	KR9A ←	
KPLO	Horizontal cover panel	IXP	FCU IN OUT	ONLY WITH KR9A KR9M		↑ KR9A	FCU →	KR9M ↓		KPLO



Plenum and fittings installation examples

IVF Version with the cover panel (KPLV accessory) and inlet 90° connection (KR9A accessory). If the KPAF-KPM accessory is present, access to the filter must be guaranteed for periodic cleaning.



IXP Version with auxiliary condensation drain pan (KVAO accessory), 3-way ON/OFF electrovalve for 4-pipe systems (KE4 accessory), inlet and outlet 90° connection (KR9A-KR9M accessory) and cover panel (KPLO accessory). If the KPAF-KPM accessory is present, access to the filter must be guaranteed for periodic cleaning.



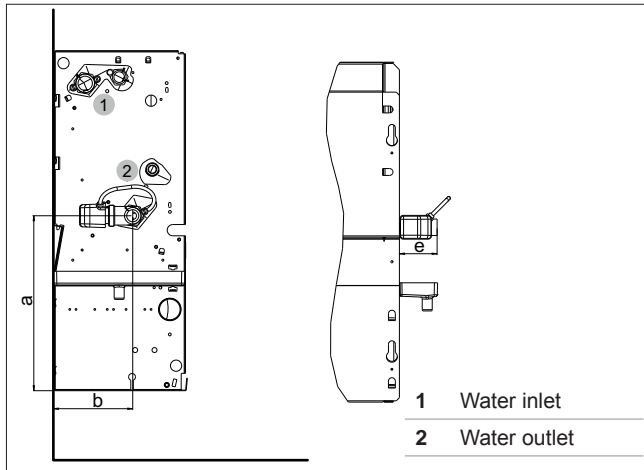
DUCT CXP Version with auxiliary condensation drain pan (KVAO accessory), 3-way ON/OFF electrovalve for 4-pipe systems (KE4 accessory), inlet and outlet plenum with circular nozzles (KPAF and KPM accessory). If the KPAF-KPM accessory is present, access to the filter must be guaranteed for periodic cleaning.



Valve dimensions and volume

2-way ON/OFF electrovalve

KE2-2V, E2-2V - 2-way ON/OFF electrovalve for 2-pipe systems



Yardy, Yardy-I		a	b	e
15-20-25-30-40	mm	280	127	57
45-55-58-60-80	mm	280	127	60
24-34	mm	290	135	57
48-74-88	mm	290	135	60

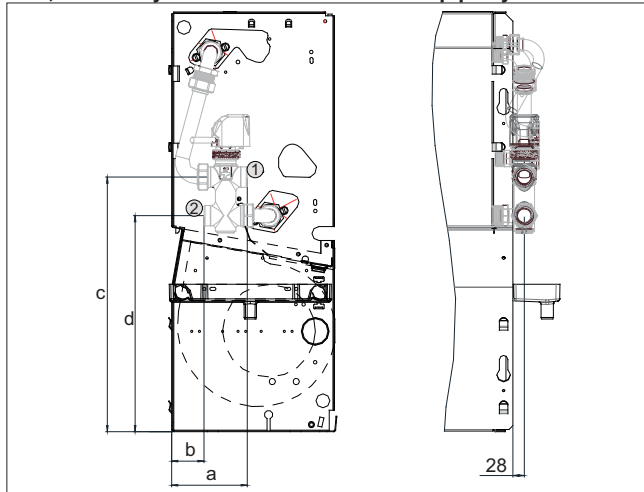
YardyDUCT Yardy-ID		a	b	e
40-50-60-80	mm	280	127	60
48-74-88	mm	290	135	60

n ≥ 100 MVP, MXP, MVT + KPP/KPPG, MXT + KPP/KPPG

n = 0 MVT, MXT

3-way ON/OFF electrovalve

KE2, E2 - 3-way ON/OFF electrovalve for 2-pipe systems



Yardy, Yardy-I		a	b	c	d
15-20-25-30-40	mm	94	42	315	280
45-55-60-80	mm	98	42	330	280
24-34	mm	102	50	324	289
48-58-74-88	mm	106	50	339	289

YardyDUCT Yardy-I		a	b	c	d
40-50-60-80	mm	98	42	330	280
48-74-88	mm	106	50	339	289

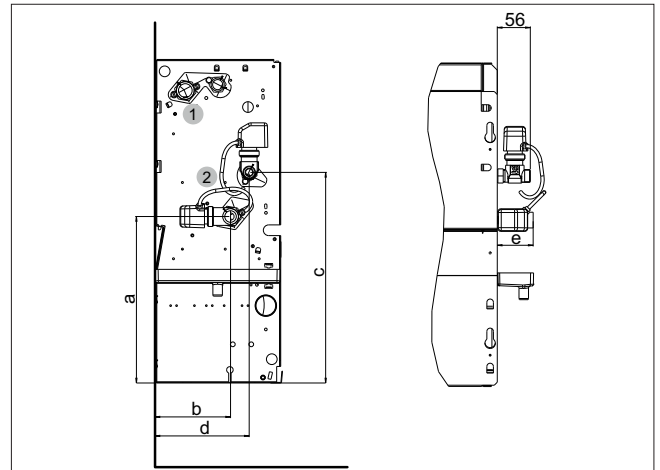
n ≥ 100 MVP, MXP, MVT + KPP/KPPG, MXT + KPP/KPPG

n = 0 MVT, MXT

1 Water inlet

2 Water outlet

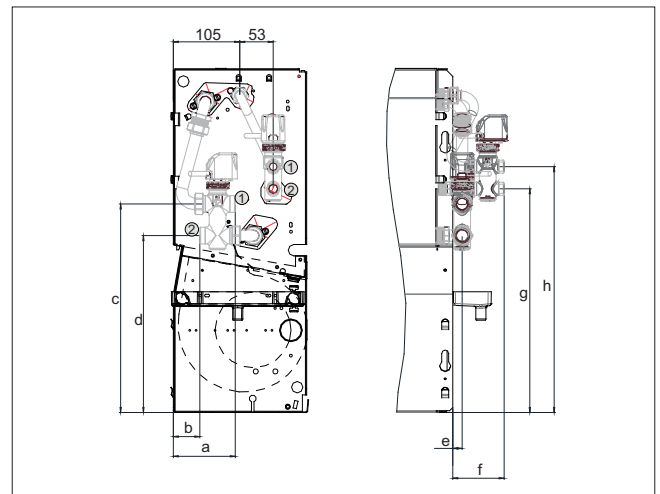
KE4-2V, E4-2V - 2-way ON/OFF electrovalve for 4-pipe systems



Yardy, Yardy-I		a	b	c	d	e
15-20-25-30-40	mm	280	127	354	158	57
45-55-58-60-80	mm	280	127	354	158	60
24-34	mm	290	135	347	164	57
48-74-88	mm	290	135	347	164	60

YardyDUCT Yardy-ID		a	b	c	d	e
40-50-60-80	mm	280	127	354	158	60
48-74-88	mm	290	135	347	164	60

KE4, E4 - 3-way ON/OFF electrovalve for 4-pipe systems



Yardy, Yardy-I		a	b	c	d	e	f	g	h
15-20-25-30-40	mm	94	42	315	280	28	155	347	382
45-55-60-80	mm	98	42	330	280	28	160	347	382
24-34	mm	102	50	324	289	28	155	347	382
48-58-74-88	mm	106	50	339	289	28	160	347	382

YardyDUCT Yardy-I		a	b	c	d	e	f	g	h
40-50-60-80	mm	94	42	315	280	28	155	347	382
48-74-88	mm	106	50	339	289	28	160	347	382

n ≥ 100 MVP, MXP, MVT + KPP/KPPG, MXT + KPP/KPPG

n = 0 MVT, MXT

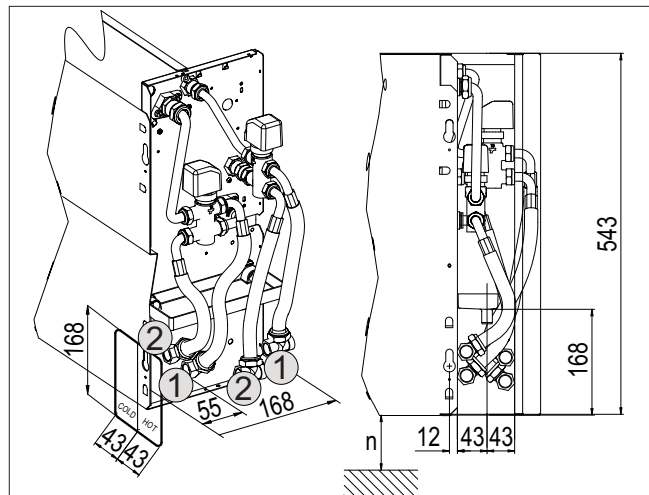
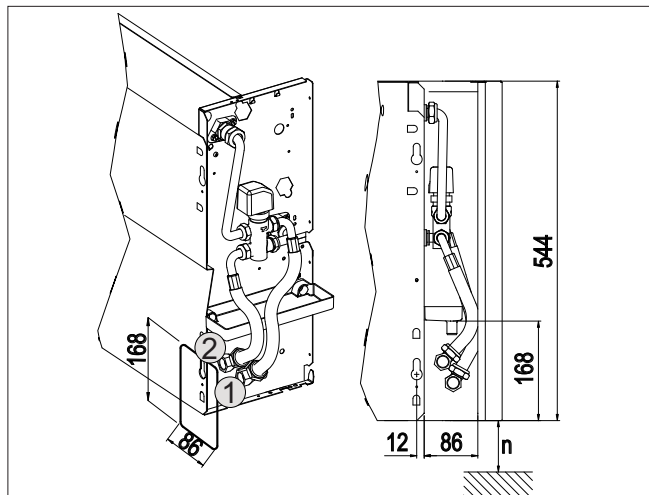
**Vertical versions
2-pipe systems**

KE2DS, E2DS - ON/OFF 3-way electrovalve with hoses on system side and orthogonal balancing valve

**Vertical versions
4-pipe systems**

E4DS - KE4DS - ON/OFF 3-way electrovalve with hoses on system side and orthogonal balancing valve

CONNECTION WITH WALL MOUNTED PIPES



- 1 Water inlet
- 2 Water outlet

- $n \geq 100$ MVP, MXP, MVT + KPP/KPPG, MXT + KPP/KPPG
- $n = 0$ MVT, MXT

- N.B.**
- The auxiliary condensation drain pan accessory (KVAV-VAV for vertical versions and KVAO-VAO for horizontal versions) must be requested separately.
 - The minimum radius of the flexible pipes must not be less than 50 mm.

**Vertical and horizontal versions
2-pipe systems**

KE2DD, E2DD - ON/OFF 3-way electrovalve with hoses on system side and straight balancing valve

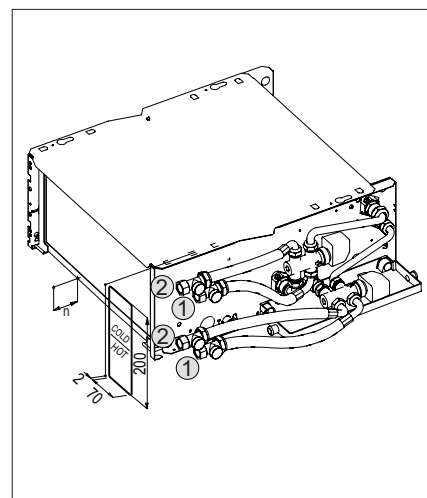
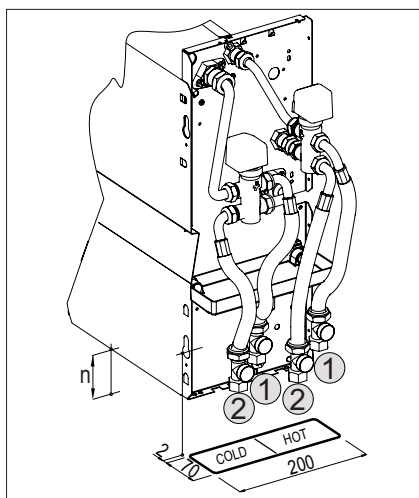
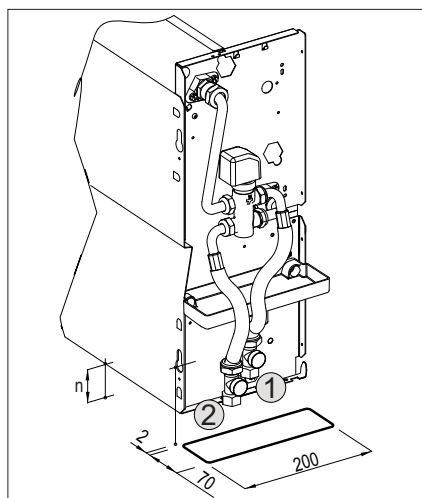
**Vertical and horizontal versions
4-pipe systems**

KE4DD, E4DD - ON/OFF 3-way electrovalve with hoses on system side and straight balancing valve

CONNECTION WITH FLOOR MOUNTED PIPES

CONNECTION WITH FLOOR MOUNTED PIPES

CONNECTION WITH WALL MOUNTED PIPES



- 1 Water inlet
- 2 Water outlet

- $n \geq 100$ MVP, MXP, MVT + KPP/KPPG, MXT + KPP/KPPG
- $n = 0$ MVT, MXT

- N.B.**
- The auxiliary condensation drain pan accessory (KVAV-VAV for vertical versions and KVAO-VAO for horizontal versions) must be requested separately.
 - The minimum radius of the flexible pipes must not be less than 50 mm.

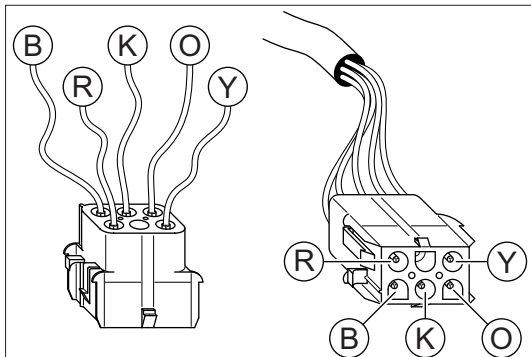
Connection pressure drops and dimensions

Accessory	Models: Yardy Yardy-I	Models YardyDUCT2 Yardy-ID2	Valve	Connections	Water flow rate													
					100	200	300	400	500	600	700	800	900	1000	1100	1200	1300	1400
					Pressure drops (kPa)													
KE2, E2 KE2-2V, E2-2V	15÷40	40-88	Cold or hot	1/2"	1	3	6	11	18	26	35	46	58	71	86	103	121	141
	45÷88			3/4"	0,3	1	2,4	4,2	6,6	9,5	13	17	21,5	26,5	32	38	45	52
KE4, E4 KE4-2V, E4-2V	15÷40	40-88	Cold	1/2"	1	3	6	11	18	26	35	46	58	71	86	103	121	141
	45÷88			3/4"	0,3	1	2,4	4,2	6,6	9,5	13	17	21,5	26,5	32	38	45	52
	15÷40	40-88	Hot	1/2"	1	2,8	6,3	11,3	17,7	25,5	-	-	-	-	-	-	-	-
	45÷88			3/4"	0,3	1	2,4	4,2	6,6	9,5	13	17	21,5	26,5	32	38	45	52
KE2DS, E2DS	15÷40	40-88	Cold or hot	1/2"	1	4,2	10	17	27	38	51	68	85	105	127	-	-	-
	45÷88			3/4"	1	2	5	9	15	21	29	38	48	59	71	85	100	116
KE2DD, E2DD	15÷40	40-88	Cold or hot	1/2"	1,6	6	14	26	40	60	80	104	131	162	196	-	-	-
	45÷88			3/4"	1	4	10	18	28	41	56	74	93	115	140	166	195	227
KE4DS, E4DS	15÷40	40-88	Cold	1/2"	1	4,2	10	17	27	38	51	68	85	105	127	-	-	-
	45÷88			3/4"	1	2	5	9	15	21	29	38	48	59	71	85	100	116
	15÷40	40-88	Hot	1/2"	1	4	9	17	26	38	-	-	-	-	-	-	-	-
KE4DD, E4DD	15÷40	40-88	Cold	1/2"	1,6	6	14	26	40	60	80	104	131	162	196	-	-	-
	45÷88			3/4"	1	4	10	18	28	41	56	74	91	115	140	166	195	227
	15÷40	40-88	Hot	1/2"	1,6	6	15	26	40	58	-	-	-	--	-	-	-	-
	45÷88			3/4"	1	4	10	18	28	41	56	74	91	115	140	166	195	227

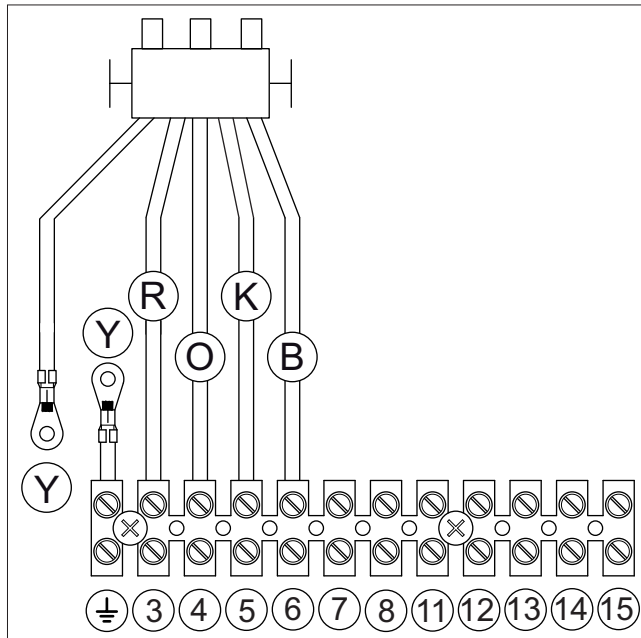
Electrical connections

Yardy-EV3

MVP - MVT version

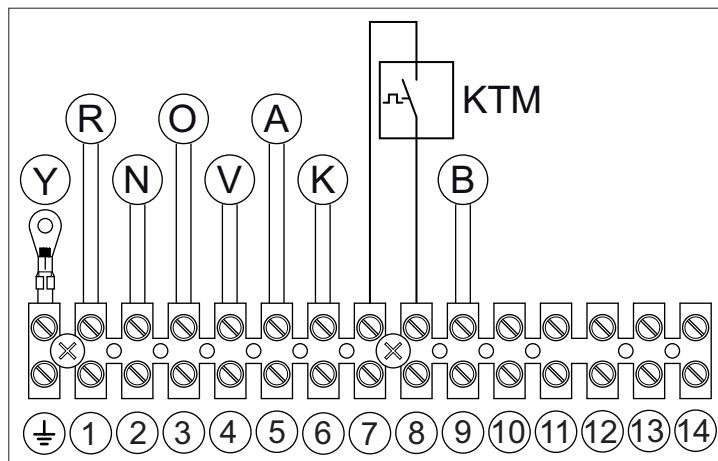


Yardy-EV3 MXP-MXT-IVP-IVF-IXP versions



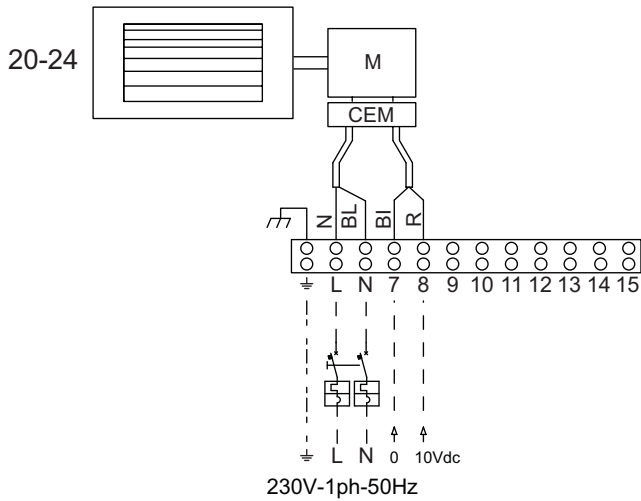
Note: When mounting command KC or KTA drives MXP / MXT installed vertically, this wiring and its label must be removed.

YardyDUCT2 CXP version

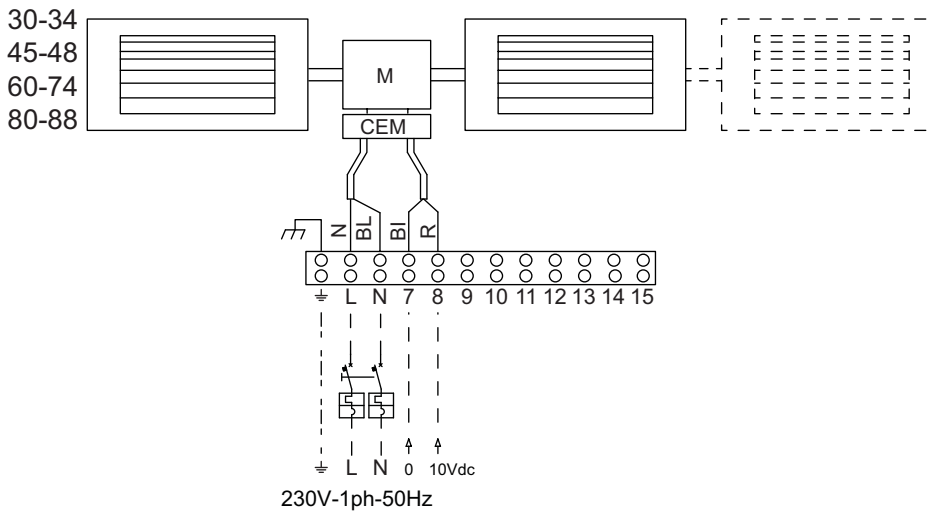


	Colour	DUCT
B	Blu	Common
K	Black	Speed VI (max)
A	Grey	Speed V
V	Violet	Speed IV
O	Orange	Speed III
N	Brown	Speed II
R	Red	Speed I (min)
Y	Yellow/Green	
KTM	Minimum temperature thermostat (accessory)	

Yardy-I EV3, Yardy-ID2



- Data for connecting an external controller to the fan coil. Motor input impedance 100 KOhm. Signal 0-10 Vdc.
- Start-up limit 1V.
- Shutdown limit 0.9V.
- Maximum speed 10 Vdc.



	Colour	
BL	Blu	Neutral
N	Black	Line
G/V	Yellow/Green	Earth
BI	White	0Vdc
R	Red	10Vdc
M	Brushless motor	
CEM	Motor electronic control	

NOTE

When designing and sizing the power line and protection systems for units with a Yardy-I and Yardy-ID2 type of EC brushless Inverter type of synchronous motor, pay attention to the leakage current values to earth as they are higher than traditional units with an asynchronous motor. It is always advisable to install the units with specific residual current protection. The Yardy-I and Yardy-ID2 units with an EC brushless Inverter type of synchronous motor conform to the limits stipulated in standard IEC-EN 60335 with a maximum dispersion of 1.15 mA, which is less than the permissible limit of 3.5 mA imposed by the standard. In purely numerical terms, 26 units could be connected when using specific 30mA residual current protection for a Yardy-I and Yardy-ID2 only line. Considering that on site, system earthing is generally not clean, it is good practice to map the dispersion values present. Based on data from on site tests on systems with mains voltage (230Vac 50Hz) which is not stabilised and non-isolated earth, it is recommended to connect a maximum of 18 fan coils to a single 30mA residual current protection.



RHOSS S.P.A.

Via Oltre Ferrovia, 32 - 33033 Codroipo (UD) - Italy
tel. +39 0432 911611 - fax +39 0432 911600
rhoss@rhoss.it - www.rhoss.it - www.rhoss.com

IR GROUP SARL

19, chemin de la Plaine - 69390 Vourles - France
tél. +33 (0)4 72 31 86 31 - fax +33 (0)4 72 31 86 30
exportsales@rhoss.it

RHOSS Deutschland GmbH

Hölzlestraße 23, D-72336 Balingen, OT Engstlatt - Germany
tel. +49 (0)7433 260270 - fax +49 (0)7433 2602720
info@rhoss.de - www.rhoss.de

RHOSS GULF JLT

Suite No: 3004, Platinum Tower
Jumeirah Lakes Towers, Dubai - UAE
ph. +971 4 44 12 154 - fax +971 4 44 10 581
e-mail: info@rhossgulf.com

Uffici commerciali Italia:

Codroipo (UD)
33033 Via Oltre Ferrovia, 32
tel. +39 0432 911611 - fax +39 0432 911600

Nova Milanese (MB)

20834 Via Venezia, 2 - p. 2
tel. +39 039 6898394 - fax +39 039 6898395

