

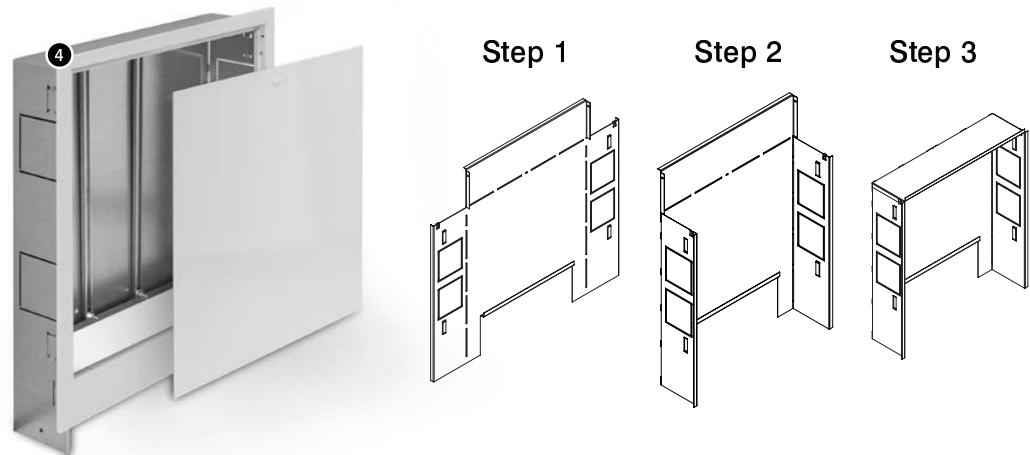
# Eco Compact Cabinet - SK flush-mounted cabinets

The **SK flush-mounted cabinets** are intended for flush mounting of manifolds together with their fittings, such as connection sets, release valves, vents etc. They are a version of the SPEE cabinets for self-assembly.

## The advantages of built-up cabinets:

- A new product of the same standard and functionality as ECO Cabinets have,
- Cost of transport lower by about -30% (pallet amount 50% higher — saving storage places),
- Cabinet's body in form of a monolith for assembly (equipped with special catches making the assembly easier),
- Easy assembly and simple mounting of a cabinet.

4. SK flush-mounted cabinet.



Type of cabinet	External dimensions [mm]			Door dimensions [mm]	
	width	height	depth	width	height
SK-1	335	580	110	332	454
SK-2	435	580	110	432	454
SK-3	565	580	110	562	454
SK-4	715	580	110	707	454
SK-5	795	580	110	792	454
SK-6	965	580	110	792	454

## Assembly instructions for lock C566.

1. Slide Part 2 into the mounting hole in the door.
2. Put Part 1 into Part 2.
3. Slide Part 3 into Part 1 until it locks (clicks) on Part 4.
4. Check if the assembly is correct by trying to pull out Part 1.

